

TV Rack

TV-Rack

Operating Instructions **GB**

Bedienungsanleitung **D**

Mode d'emploi **F**

Instrucciones de uso **E**

Руководство по эксплуатации **RUS**

Istruzioni per l'uso **I**

Gebruiksaanwijzing **NL**

Οδηγίες χρήσης **GR**

Instrukcja obsługi **PL**

Használati útmutató **H**

Návod k použití **CZ**

Návod na použitie **SK**

Manual de instruções **P**

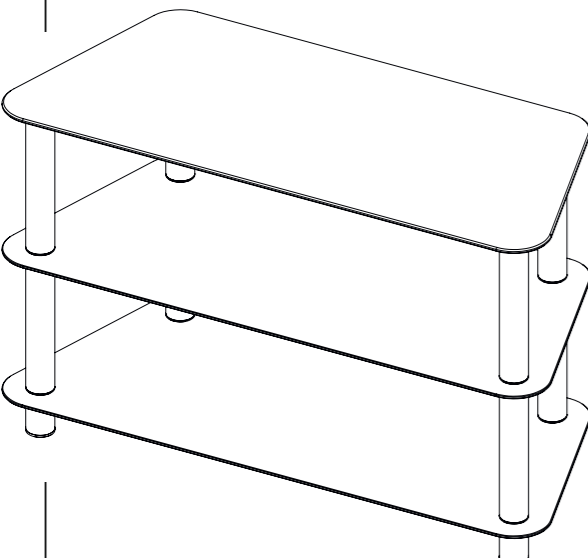
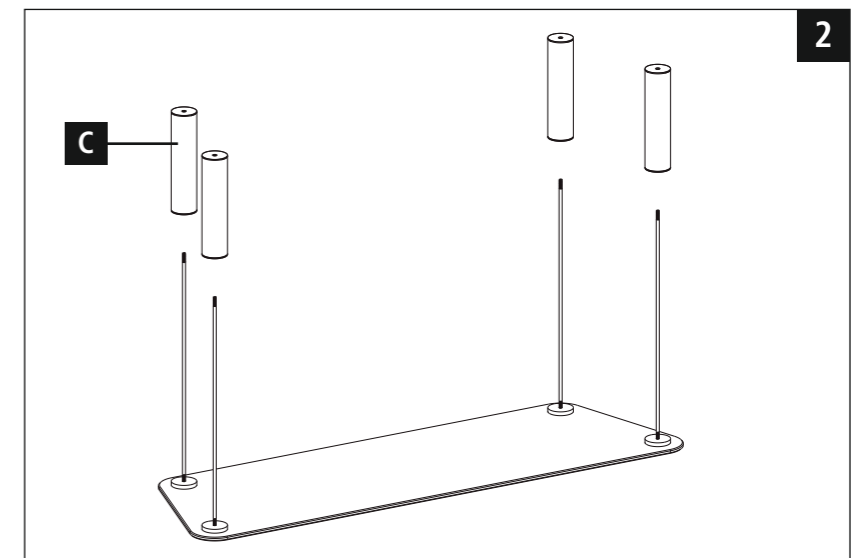
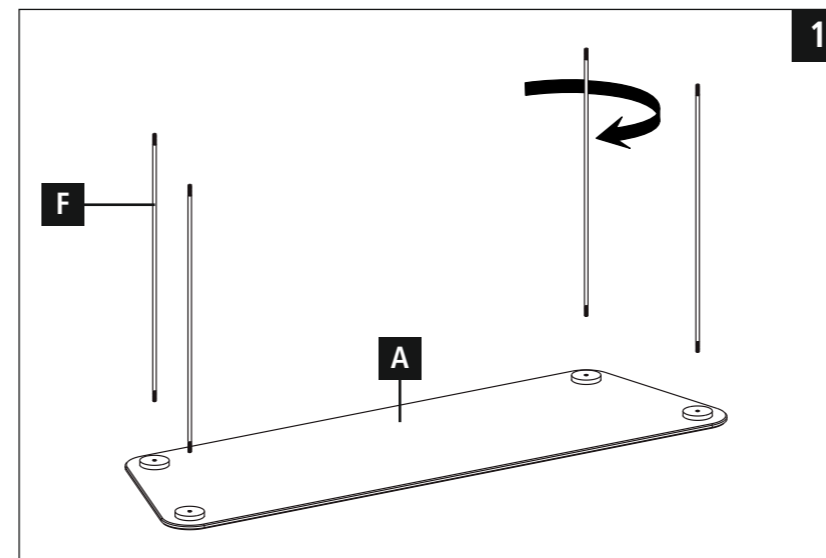
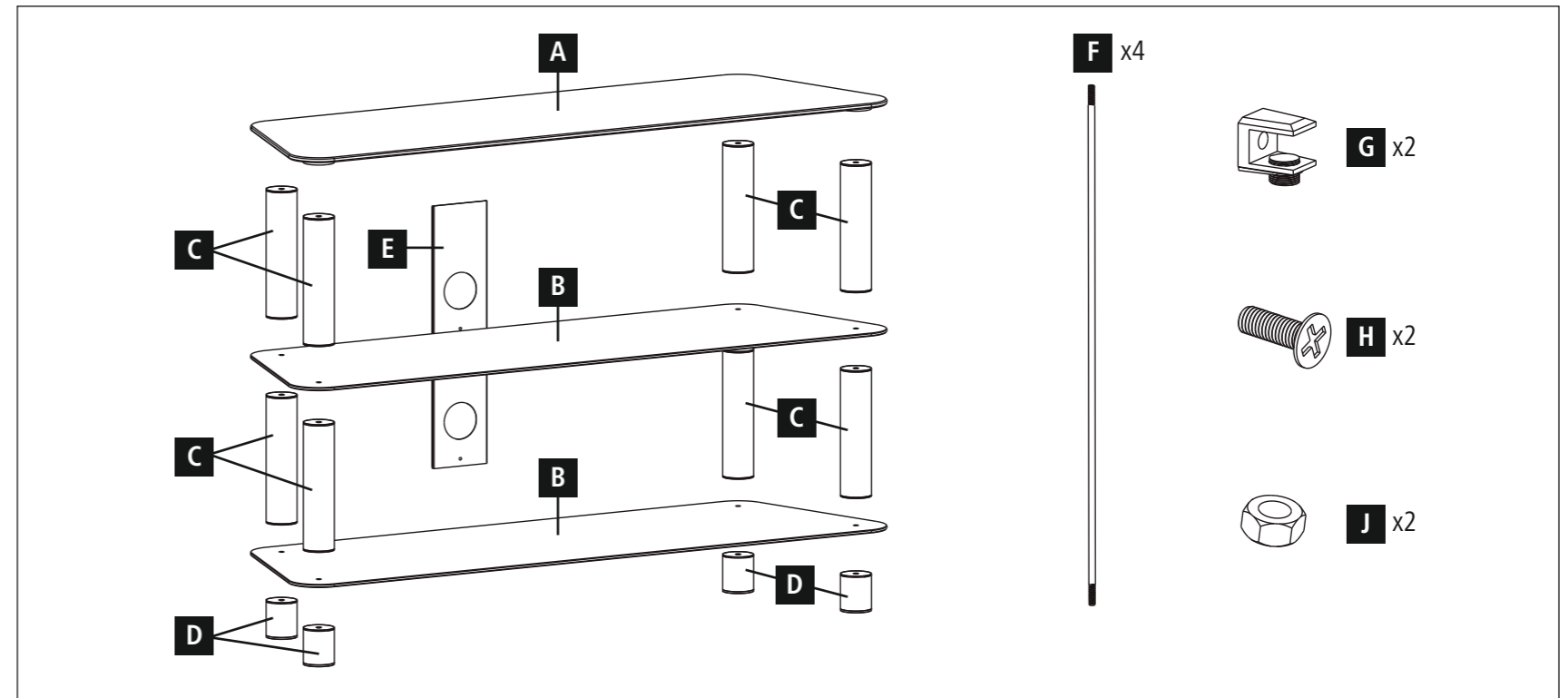
Kullanma kılavuzu **TR**

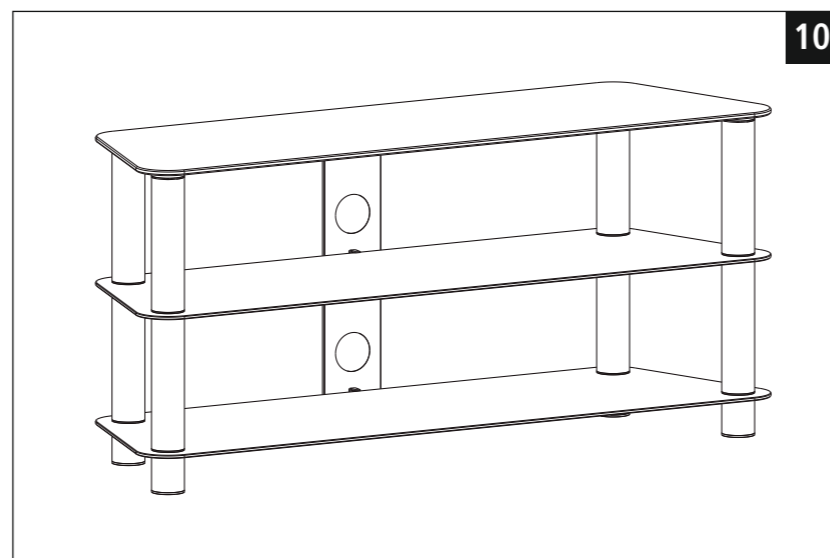
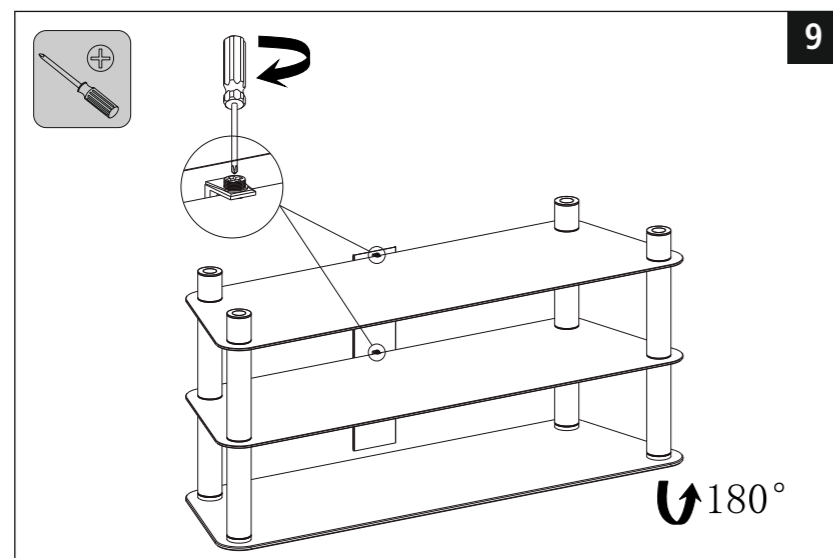
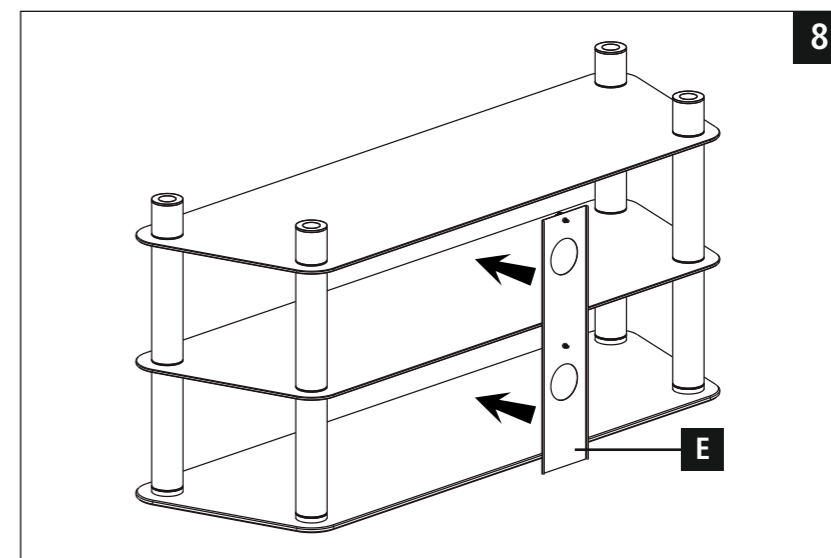
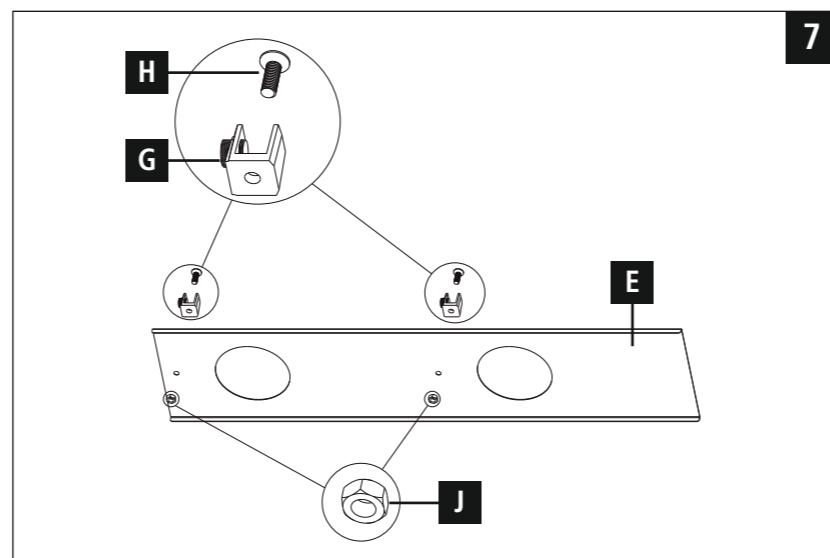
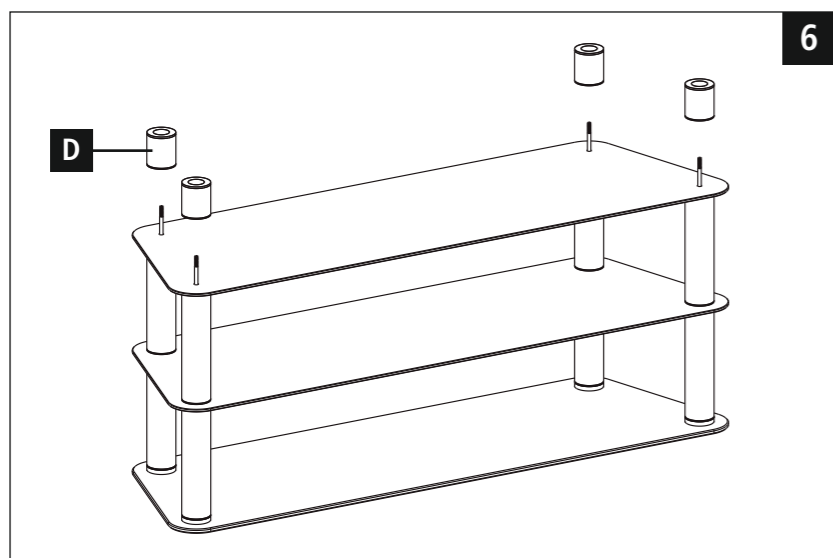
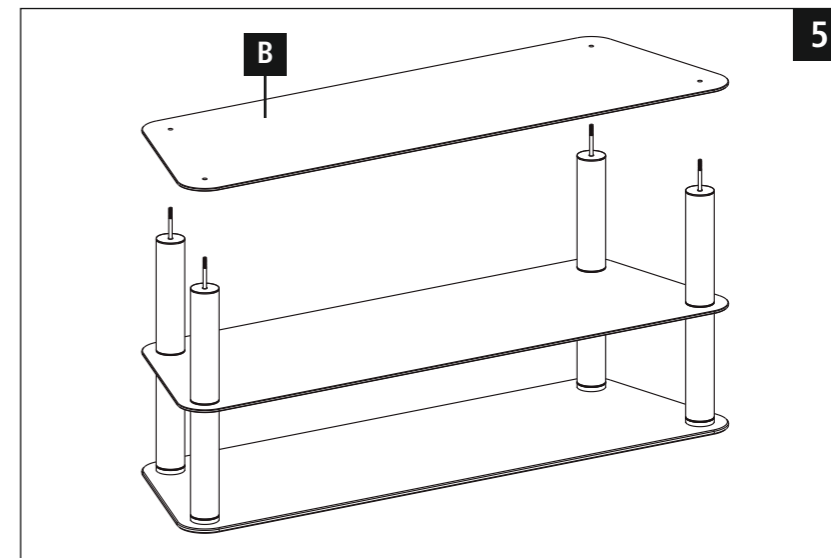
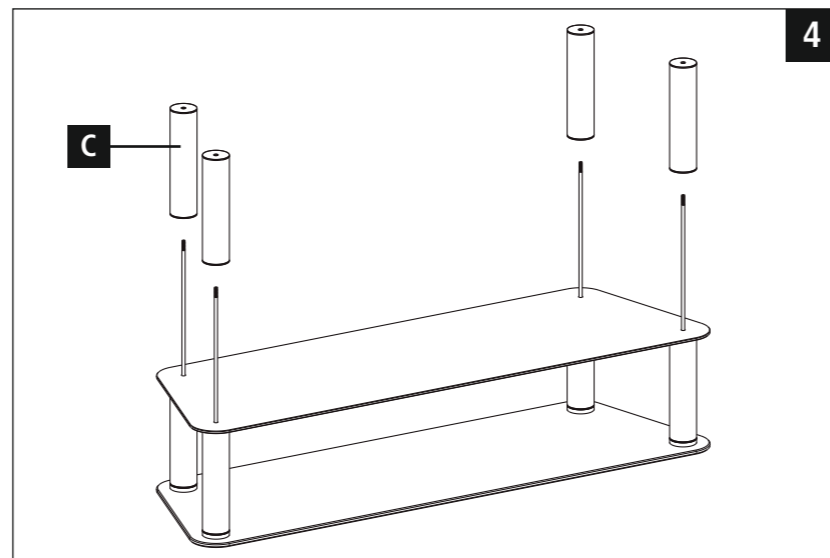
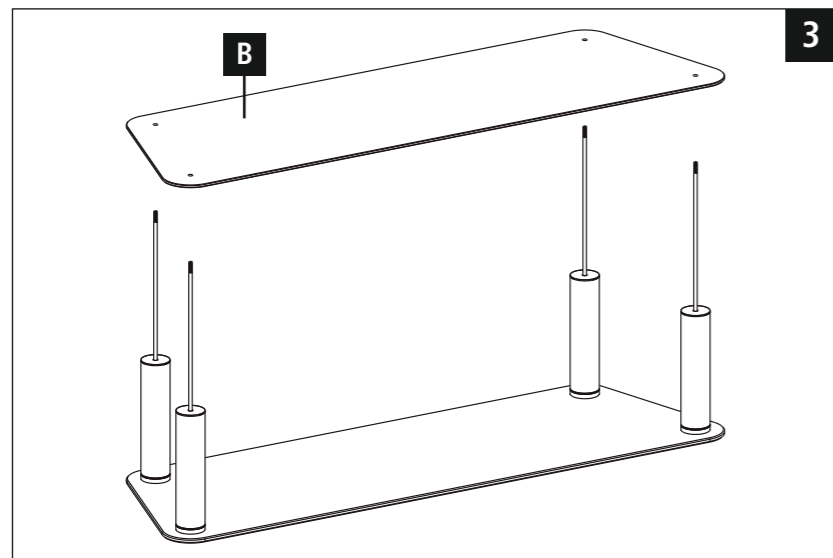
Manual de utilizare **RO**

Bruksanvisning **S**

Käyttöohje **FIN**

Ръководство за обслужване **BG**





hama[®]

Hama GmbH & Co KG
86652 Monheim / Germany
www.hama.com

D3096066/11.16

All listed brands are trademarks of the corresponding companies. Errors and omissions excepted, and subject to technical changes. Our general terms of delivery and payment are applied.