

# Base

A7014478

# Base

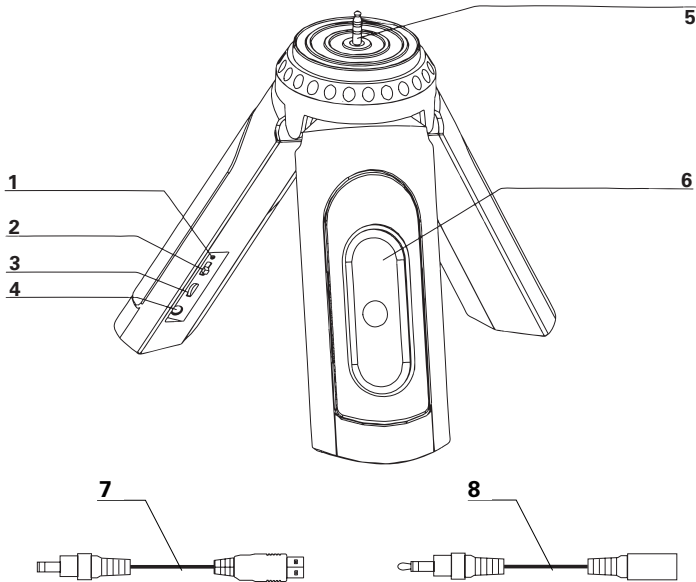
MADE IN CHINA



**Mini Speaker Tripod**

# Base

## Configuration



### Controls

- (1) Power light
- (2) Power switch
- (3) Volume control
- (4) DC 5V
- (5) Audio connection
- (6) Speakers drivers
- (7) USB DC cable
- (8) Audio cable

# Base

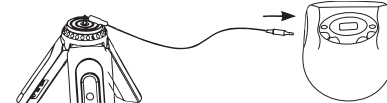
## Function Use Instruction

### Connect to MP3 Player



Connect to stereo AV cable between the 3.5mm audio input of speaker and Mp3 player (not included) audio output

### Connect to CD Player



Connect to stereo AV cable between the 3.5mm audio input of speaker and CD audio output (CD player not included)

## How to connect the USB DC cable or 2 x AA batteries

The USB DC cable to your computer system.



Install 2x AA batteries (not included)



## Active Speaker Rocket

### Connecting the speakers:

- Connect the MP3 Player to the "Audio Connection" (5). If the MP3 Player does not sit in a stable or reliable position on the top of the tripod, please use the Audio cable supplied within the package.
  - The Audio cable may also be used to connect the speaker tripod to other external audio devices.
  - Insert 2 AA batteries or Connect the USB DC cable to a computer USB port and the DC socket of the Speaker tripod.
- NOTE: WHEN POWERING YOUR TRIPOD VIA THE USB PORT OF YOUR COMPUTER, YOUR PC MUST REMAIN SWITCHED ON.

- This product may also be powered by an appropriate AC/DC power adaptor (not supplied) that can be connected to your household AC240V Mains Supply. Seek advice from your local electronics retailer for a suitable power adaptor. Output of the Adaptor should be DC5V 350mA.

### Troubleshooting

Error	Possible cause
Does not function	- Speaker not switched on - Volume set to zero - Speaker not connected correctly - Batteries dead
Sound distorted	- Volume setting on the MP3 player is too high

### Safety Instructions

Observe the safety instructions listed in the operation manual of the external audio device.

- Only transport the speaker in the original packaging or in other suitable packaging that ensures protection against impact and shocks.
- Condensation can form if the device is transported from a cold environment to the operating area. Before operating the speakers, wait until they have reached approximately the same temperature of the operating area and are absolutely dry.
- Only connect the speakers in dry rooms.
- Route the cables so that they are not a hazard (danger of tripping) and cannot be damaged. When connecting the speakers, observe the corresponding instructions in this operating manual.
- Ensure that no objects (e.g. paper clips, etc.) or liquids enter the speaker (short circuit).

- In emergencies (e.g. if the housing or controls are damaged, if liquids or foreign objects enter the speakers) switch off the speakers immediately and remove batteries from the battery compartment.
- Repair work may only be performed by authorized qualified personnel.
- Switch off the speakers before cleaning. Clean the speaker housing surface using a dry cloth. If large amounts of dirt have accumulated, use a moist, well wrung out cloth that has been soaked in water with a mild detergent.

### Technical Specifications

Output: RMS:	4W*2
Frequency range:	20 Hz - 20000 Hz
Impedance:	4 Ohm
Power supply:	DC 5V / 350mA (For AC/DC Adaptor - Not supplied) 2x AA or via USB connection

### Ambient conditions

Rated operating range:	15°C - 35°C
Humidity:	20% - 85%
Limit operating range:	5°C - 40°C
Humidity:	20% - 85%

### Dimensions and weight

Speaker dimensions: (W x H):	65mm x 180mm
---------------------------------	--------------