



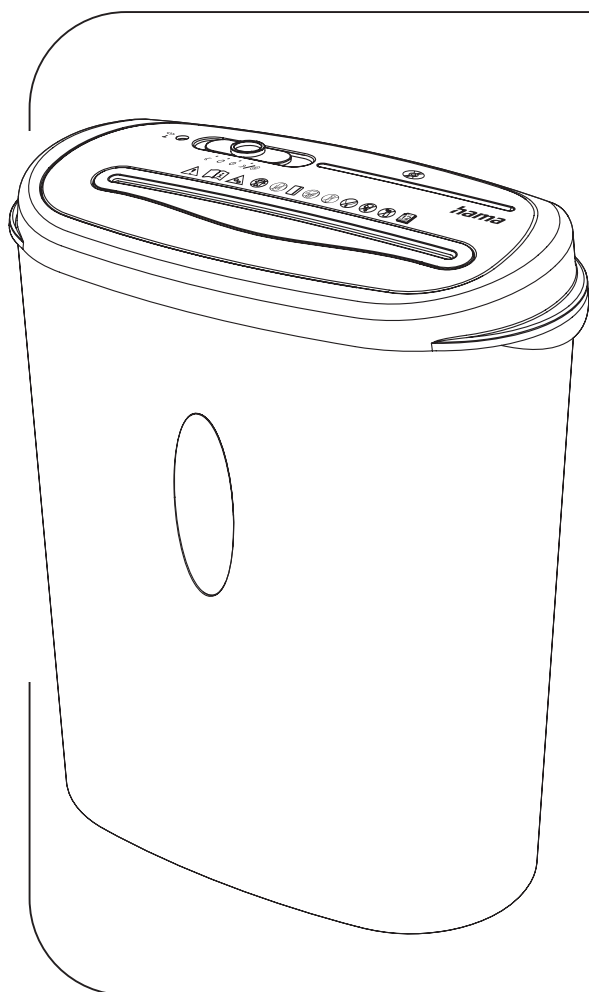
hama

73
050544

Shredder

HOME X12CD

Aktenvernichter



Operating Instructions

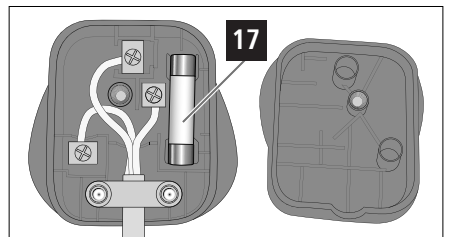
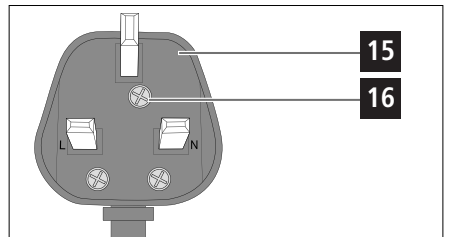
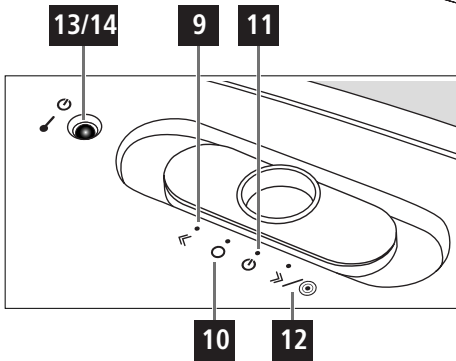
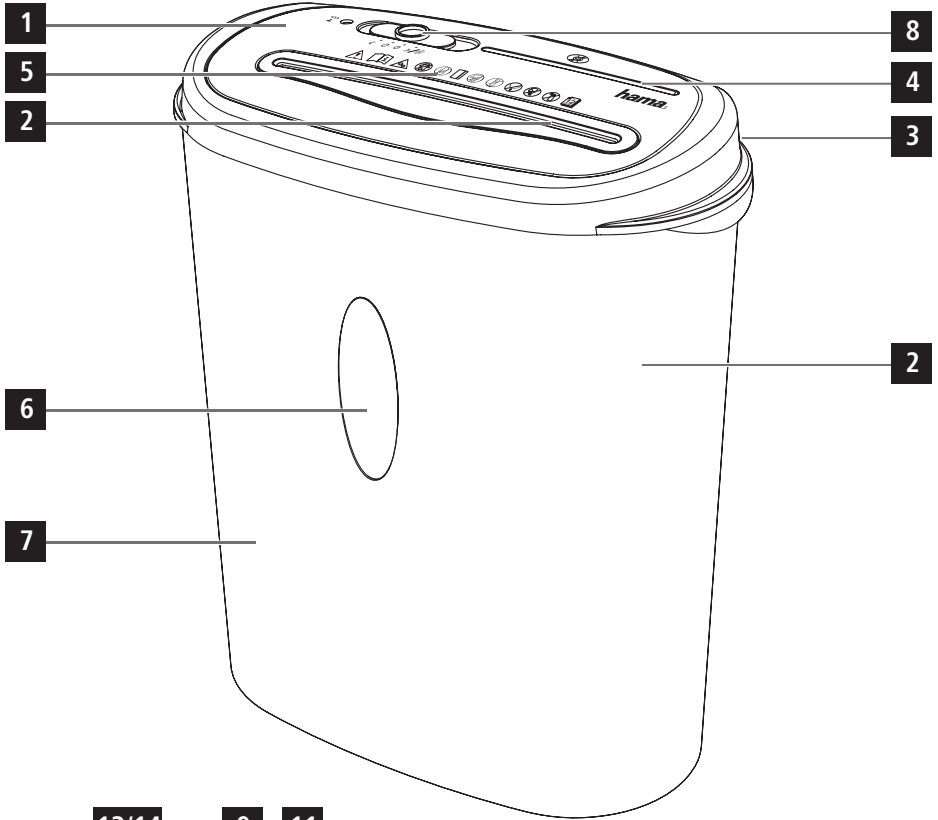
Bedienungsanleitung

Mode d'emploi

GB

D

F



Machine setup

1. Device head
2. Intake shaft for paper and plastic cards
3. Connecting cable (back of the device)
4. Intake shaft for CDs/DVDs/Blu-rays
5. Warning symbols
6. Viewing window
7. Sludge container
8. Slider switch
9. "◀" position (Backwards)
10. "○" position (Off)
11. "⏻" position (Automatic start / stop function for the paper and plastic cards intake shaft)
12. "▶/⏻" position (Forwards function for the CD/DVD/Blu-Ray intake shaft + the paper and plastic cards intake shaft)
13. Status LED: Ready
14. Status LED: Overheating
15. Mains plug cover
16. Screw
17. Protection

1. Introduction

1.1 Foreword

Thank you for choosing a Hama product.

Take your time and read the following instructions and information completely. Please keep these instructions in a safe place for future reference. If you sell the device, please pass these operating instructions on to the new owner.

Note – Importance of the operating instructions

Failure to observe the operating instructions when using the product constitutes incorrect use or wilful misuse and is not permitted.

Note

This device is a new, unused product.

Any cutting residue present may have been left over from quality assurance tests during production.

1.2 Explanation of warning symbols and notes

Risk of electric shock

This symbol indicates a risk of electric shock from touching product parts carrying hazardous voltage.

Warning

This symbol is used to indicate safety instructions or to draw your attention to specific hazards and risks.

Note

This symbol is used to indicate additional information or important notes.

1.3 Package contents

- "Home X12CD" shredder
- These operating instructions

2. Safety

2.1 Correct use

- This product is intended for the destruction of documents both in the home and in the commercial sector, provided the applications are comparable with typical household use (e.g. in offices, workshops and hotels, etc.).
- Use the product only for the intended purpose.
- The product is intended only for use inside buildings.
- Protect the product from dirt, moisture and overheating and use it in dry rooms only.
- Do not use the product in the immediate vicinity of heaters, other heat sources or in direct sunlight.

- Do not use the product in a damp environment and avoid splashing water.
- Do not operate the product outside the power limits specified in the technical data.
- Do not operate the product continuously, as it is not designed for this.
- Do not use the product in areas in which electronic products are not permitted.
- Do not drop the product and do not expose it to any major shocks.
- This product is not intended for use by persons, including children, with limited physical, sensory or mental abilities or lacking in experience or knowledge, unless they are supervised by a person responsible for their safety or have been instructed on how to use the product.
- As with all electrical products, this device should be kept out of the reach of children.
- Keep the packaging material out of the reach of children due to the risk of suffocation.
- Dispose of packaging material immediately in accordance with the locally applicable regulations.
- Do not modify the product in any way. Doing so voids the warranty.
- Only use the article under moderate climatic conditions.
- Always pull directly on the plug when disconnecting the cable, never on the cable itself.

Note

The product is only intended for volumes generated by households.

Warning

Any use is permitted only with the paper container provided.

Note - Commercial use

- If the device is used commercially, increased duty of care requirements apply.
- Therefore, please observe the accident prevention regulations of the German employer's liability insurance association for electrical systems and equipment. Please also observe all accident prevention regulations from other applicable employer's liability insurance associations and accident insurance companies, as well as any legal regulations applicable to the particular industry and/or location.

The following materials may and may NOT be shredded:

Paper	✓
Paper with staples	✓
Magnetic strip and ID chip cards	✓
CDs, DVDs, Blu-Rays	✓
Continuous paper, sticky labels, slides, newspaper, cardboard, paper clips, laminate, plastic (with the exception of the objects stated earlier)	✗

2.2 Basic safety instructions

Please note the following safety instructions in order to use the device safely.

- Check the device before use for any visible external damage. Do not put a damaged device into operation.
- People who, as a result of their physical, mental or motor capacities, are unable to operate the device safely must only use the device under supervision or after instruction by a responsible person.
- Faulty components must only be replaced with original spare parts. Only these parts are guaranteed to meet the required safety standards.
- Protect the device against moisture and the penetration of liquids or objects. In the event of contact with liquid, disconnect the device from the power supply immediately.

Warning - risk of cutting on the cutting rollers

Do not touch the cutting rollers.

Risk of electric shock

- Do not open the device or continue to operate it if it becomes damaged.
- Do not use the product if the AC adapter, adapter cable or power cable is damaged.
- Do not attempt to service or repair the product yourself. Leave any and all service work to qualified experts.


2.3 Explanation of symbols used on the product label

Warning - risk of injury  <p>Note the warning symbols in order to avoid injuries or damage to the device.</p>	
	General warning symbol
	Before commissioning, read the enclosed operating instructions. You must comply with the safety instructions at all times.
	<ul style="list-style-type: none"> This device is not intended for use by children. Avoid touching the intake opening with hands, clothing or hair. Unplug the device if it is not going to be used for a prolonged period.
	Children must be supervised when using the device.
	Do not insert paper clips into the intake shaft.
	Do not reach into the intake shaft.
	Keep clothing away from the intake shaft.
	Keep jewellery, e.g. necklaces, away from the intake shaft.
	Keep hair away from the intake shaft.
	Do not use any aerosol products on or near the device.
	Insert no more than 12 sheets of paper at any one time into the intake shaft (see 7. Technical Data).
	Intake shaft for CDs/DVDs and Blu-Rays. Only insert one CD/DVD or Blu-Ray at a time into the intake shaft.
	Intake shaft for credit cards. Only insert one credit card at a time into the intake shaft for credit cards.

2.4 Safety device

The device is equipped with a safety switch and can only be operated if the device head (1) is correctly placed on the waste container (7).

Warning

Any tampering with or modification of the safety features can result in serious injury and is not permitted. 

3. Installation / Setup

Warning

- Only operate the product from a socket that has been approved for the device. The socket must be installed close to the product and must be easily accessible.
- Disconnect the product from the power supply using the On/Off switch – if this is not available, unplug the power cord from the socket.
- If using a multi-socket power strip, make sure that the total power consumption of all connected devices does not exceed the power strip's maximum throughput rating.
- If you will not be using the product for a prolonged period, disconnect it from mains power.

Note

- Set the product up on a level, horizontal and sufficiently stable surface.
 - Route all cables so that there is no risk of tripping.
 - Do not bend or crush the cable.
 - Protect the connecting cable from hot surfaces and sharp edges.
- Connect the power pack to a properly installed and easily accessible mains socket.

4. Operation

Note

- Be aware that the thickness of paper increases when it is folded, leading to the device's maximum page capacity being exceeded.
- Always wait until one cutting operation is finished before starting the next one.
- Do not use the device continuously for more than 2 minutes at a time.
- Empty the container regularly in order avoid damaging the device.

4.1 Switching the device on

- Move the slider switch (8) to the "Ⓞ" position (11).
- The status LED Ready (13) lights up solid green.
- The device is now ready for use.

4.2 Switching the device off

- Move the slider switch (8) to the "○" position (10).

4.3 Shredding paper

- Insert the paper into the centre of the intake shaft (2). The cutting rollers switch on automatically.
- Let go of the paper. Once the cutting process is complete, the device switches itself off again.

4.4 Shredding plastic cards


- Insert the plastic card into the centre of the intake shaft (2). The cutting rollers switch on automatically.
- Let go of the plastic card. Once the cutting process is complete, the device switches itself off again.

4.5 Shredding CDs, DVDs, Blu-Rays

- Move the slider switch (8) to the "Ⓞ" position (12).
- The cutting rollers are switched on and operate constantly.
- Insert the CD, DVD or Blu-Ray into the centre of the intake shaft (4).
- Let go of the CD, DVD or Blu-Ray.
- After the cutting process, move the slider switch (8) to the "○" position (10) to switch the device off or to the "Ⓞ" position (11) to shred paper or plastic cards in the intake shaft (2).

4.6 Forwards / backwards mode

Note

These modes are designed to release any blockages of the cutting mechanism. 

- Move the slider switch (8) to the "⏪" position (9). The rollers on the cutting mechanism now rotate in the reverse direction.
- Move the slider switch (8) alternately to the "⏩" position (12) and the "⏪" position (9). Repeat this process around three times.
- Then switch the device off - as described in **4.2 Switching the device off** - and disconnect the mains plug.
- Remove the blocked cut material carefully from the intake shaft (2).
- Reconnect the device - as described in **3. Installation/Setup** - to the power supply.

Note



- Forwards mode can be used if the material to be shredded has not been drawn in all the way, e.g. if the sensor was unable to detect it. This may occur especially with small quantities of paper.
- Move the slider switch (8) to the "»/Ⓞ" position (12) until the paper to be shredded has been pulled all the way in.

5. Care and Maintenance

Danger – risk of death from electric shock



Disconnect the mains plug from the socket before starting any cleaning work.

Warning - risk of cutting on the cutting rollers



Do not touch the cutting rollers.

Warning - damage to the device from moisture



Ensure, when cleaning, that no moisture penetrates the device in order to avoid irreparable damage to it.

5.1 Emptying the container

- Switch the device off - as described in **4.2 Switching the device off** - and disconnect the mains plug.
- Lift the device head (1) off the waste container (7).
- Empty the container (7).
- Place the device head (1) back on the waste container (7).
- Reconnect the device - as described in **3. Installation/Setup** - to the power supply.

5.2 Cleaning the device

- Switch the device off - as described in **4.2 Switching the device off** - and disconnect the mains plug.
- Clean the device with a dry cloth. In cases of heavy soiling, the cloth can be dampened a little.
- Allow the device to dry completely afterwards.
- Reconnect the device - as described in **3. Installation/Setup** - to the power supply.

5.3 Cleaning / oiling the cutting rollers

Note



- Oil the cutting rollers after each emptying of the waste paper basket in order to prolong the shredder's service life.
- You can find an appropriate selection of cleaning products at www.hama.com.

- Switch the device on - as described in **4.1 Switching the device on**.

5.3.1 Cleaning with Hama cleaners for shredders (item number: 113820)

- Apply the Hama cleaner for shredders (item number: 113820) in several strips onto a piece of DIN A4-size paper.
- Insert the paper into the centre of the intake shaft (2). The cutting rollers switch on automatically.
- Once the cutting process is complete, the device is ready for operation again.

5.3.2 Cleaning with cleaning paper

- Insert the cleaning paper into the centre of the intake shaft (2). The cutting rollers switch on automatically.
- Once the cutting process is complete, the device is ready for operation again.

5.4 Changing the fuse

- Use a suitable screwdriver to loosen the screw (16) on the mains plug cover (15) and remove it.
- Remove the fuse (17) and replace it with a new one.
- Reattach the mains plug cover (15) and then close it again using the screw (16).

Fuse Type	625
Max. current strength	3A
Size	6.3 x 25,4 mm

6. Troubleshooting

Error	Possible cause	Remedy
The cutting rollers do not switch on automatically when material to be shredded is inserted.	The slider switch (8) is in the "Ⓞ" position (10).	Move the slider switch (8) to the "»" position (11).
	The connecting cable (3) is not connected correctly.	Ensure that the mains plug is in the mains socket.
	The socket is not live.	Check the domestic fuses.
	Fuse (17) in the mains plug faulty.	Replace the fuse (17) (see 5.4. Changing the fuse)
	The device is faulty.	Notify Customer Services.
The status LED: Overheating (14) is lit up red.	The device has become too hot.	Switch the device off and allow it to cool down for at least 30 minutes.

7. Technical data

Input voltage	220-240 V~
Mains Frequency	50 Hz
Max. power consumption	529 W
Dimensions (W x H x D)	36.2 x 19.5 x 45.2 cm
Weight (net)	5549 g
Weight (gross)	6343 g
Basket capacity for paper and plastic cards	21 litres
Basket capacity for CDs/DVDs/Blu-Rays	0.8 litres
Max. noise level	72 dB
Max. cutting performance - paper (70 gsm)	13 sheets (DIN A4 paper)*
Max. cutting performance - paper (80 gsm)	12 sheets (DIN A4 paper)*
Max. cutting performance - CDs/DVDs/Blu-Rays/ plastic cards	1
Max. cutting speed	2.0 m/minute
Max. feed width for paper / plastic cards	220 mm
Max. feed width for CDs/DVDs/Blu-rays	120 mm
Cutting size for paper / plastic cards	4 mm x 40 mm
Max. constant operation time	2 minutes
Nominal idle period	min. 30 minutes
Protection class (as per DIN 66399)	2
Safety levels (as per DIN 66399)	P-4 / T-4 / E-3

* Thicker paper, moisture or any voltage other than that permitted may reduce the performance.

8. Warranty Disclaimer

All of the technical information, data and instructions regarding operation contained in these operating instructions was up to date at the time of printing and is provided based on previous experience and to the best of our knowledge.

Hama GmbH & Co KG assumes no liability and provides no warranty for damage resulting from improper installation/mounting, improper use of the product or from failure to observe the operating instructions and/or safety notes.

Maschinenaufbau

1. Gerätekopf
2. Einzugschacht Papier und Plastikkarten
3. Anschlussleitung (Geräterückseite)
4. Einzugschacht CD/DVD/Blu-Ray
5. Warnsymbole
6. Sichtfenster
7. Abfallbehälter
8. Schiebeshalter
9. Position „◀“ (Rückwärts)
10. Position „○“ (Aus)
11. Position „⏻“ (Automatische Start-/Stopp-Funktion für Einzugschacht Papier und Plastikkarten)
12. Position „▶“ (Vorwärts-Funktion für Einzugschacht CD/DVD/Blu-Ray + Einzugschacht Papier und Plastikkarten)
13. Status LED Bereitschaft
14. Status LED Überhitzung
15. Netzstecker-Abdeckung
16. Schraube
17. Sicherung

1. Einführung

1.1 Vorwort

Vielen Dank, dass Sie sich für ein Hama Produkt entschieden haben! Nehmen Sie sich Zeit und lesen Sie die folgenden Anweisungen und Hinweise zunächst ganz durch. Bewahren Sie diese Bedienungsanleitung anschließend an einem sicheren Ort auf, um bei Bedarf darin nachschlagen zu können. Sollten Sie das Gerät veräußern, geben Sie diese Bedienungsanleitung an den neuen Eigentümer weiter.

Hinweis – Bedeutung der Bedienungsanleitung

Die Nichtbeachtung der Bedienungsanleitung beim Gebrauch des Produktes stellt eine Fehlanwendung oder eine missbräuchliche Verwendung dar und ist nicht zulässig!

Hinweis

Bei diesem Gerät handelt es sich um ungebrauchte Neuware. Eventuell vorhandene Schneidereste können aus qualitätssichernden Testläufen während der Produktion stammen.

1.2 Erklärung von Warnsymbolen und Hinweisen

Gefahr eines elektrischen Schlags

Dieses Symbol weist auf eine Berührung Gefahr mit nicht isolierten Teilen des Produktes hin, die möglicherweise eine gefährliche Spannung von solcher Höhe führen, dass die Gefahr eines elektrischen Schlags besteht.

Warnung

Wird verwendet, um Sicherheitshinweise zu kennzeichnen oder um Aufmerksamkeit auf besondere Gefahren und Risiken zu lenken.

Hinweis

Wird verwendet, um zusätzlich Informationen oder wichtige Hinweise zu kennzeichnen.

1.3 Packungsinhalt

- Aktenvernichter „Home X12CD“
- Diese Bedienungsanleitung

2. Sicherheit

2.1 Bestimmungsgemäße Verwendung

- Dieses Produkt ist für die Vernichtung von Unterlagen sowohl im häuslichen Bereich vorgesehen, als auch im gewerblichen Bereich, sofern die Anwendungen mit der typischen Haushaltsanwendung vergleichbar sind (z.B. in Büros, Werkstätten und Hotels etc.).
- Verwenden Sie das Produkt ausschließlich für den dazu vorgesehenen Zweck.
- Das Produkt ist nur für den Gebrauch innerhalb von Gebäuden vorgesehen.
- Schützen Sie das Produkt vor Schmutz, Feuchtigkeit und Überhitzung und verwenden Sie es nur in trockenen Räumen.

- Betreiben Sie das Produkt nicht in unmittelbarer Nähe der Heizung, anderer Hitzequellen oder in direkter Sonneneinstrahlung.
- Verwenden Sie das Produkt nicht in einer feuchten Umgebung und vermeiden Sie Spritzwasser.
- Betreiben Sie das Produkt nicht außerhalb seiner in den technischen Daten angegebenen Leistungsgrenzen.
- Betreiben Sie das Produkt nicht im Dauerbetrieb, es ist nicht dafür ausgelegt.
- Benutzen Sie das Produkt nicht in Bereichen, in denen elektronische Produkte nicht erlaubt sind.
- Lassen Sie das Produkt nicht fallen und setzen Sie es keinen heftigen Erschütterungen aus.
- Dieses Produkt ist nicht dafür bestimmt, durch Personen, einschließlich Kinder, mit eingeschränkten physischen, sensorischen oder geistigen Fähigkeiten oder mangels Erfahrung oder mangels Wissen benutzt zu werden, es sei denn, sie werden durch eine für ihre Sicherheit zuständige Person beaufsichtigt oder erhalten von ihr Anweisungen, wie das Produkt zu benutzen ist.
- Dieses Produkt gehört, wie alle elektrischen Produkte, nicht in Kinderhände!
- Halten Sie Kinder unbedingt von dem Verpackungsmaterial fern, es besteht Erstickungsgefahr.
- Entsorgen Sie das Verpackungsmaterial sofort gemäß den örtlich gültigen Entsorgungsvorschriften.
- Nehmen Sie keine Veränderungen am Produkt vor. Dadurch verlieren Sie jegliche Gewährleistungsansprüche.
- Verwenden Sie den Artikel nur unter moderaten klimatischen Bedingungen.
- Ziehen Sie zum Entfernen des Kabels direkt am Stecker und niemals am Kabel.

Hinweis

Das Produkt ist nur für haushaltsübliche Mengen vorgesehen!

Warnung

Eine Verwendung ist nur mit dem vorgesehenen Papierbehälter zulässig!

Hinweis - gewerblicher Einsatz

- Im gewerblichen Einsatz gilt eine erhöhte Sorgfaltspflicht.
- Beachten Sie daher die Unfallverhütungsvorschriften des Verbandes der Berufsgenossenschaften für elektrische Anlagen und Betriebsmittel und alle sonstigen auf das jeweilige Gewerbe und/oder den Einsatzort zutreffende gesetzliche Regelungen, sowie alle Unfallverhütungsvorschriften der entsprechenden Berufsgenossenschaften und Unfallversicherer!

Folgende Materialien dürfen bzw. dürfen NICHT zerleinert werden:

Papier	✓
Papier mit Heftklammern	✓
Magnetstreifen- und ID-Chipkarten	✓
CDs, DVDs, Blu-Rays	✓
Endlospapier, Klebeetiketten, Folien, Zeitungspapier, Karton, Büroklammern, Lamine, Plastik (mit Ausnahme der vorgenannten Gegenstände)	✗

2.2 Grundlegende Sicherheitshinweise

Beachten Sie für einen sicheren Umgang mit dem Gerät die folgenden Sicherheitshinweise:

- Kontrollieren Sie das Gerät vor der Verwendung auf äußere sichtbare Schäden. Nehmen Sie ein beschädigtes Gerät nicht in Betrieb.
- Personen, die aufgrund ihrer körperlichen, geistigen oder motorischen Fähigkeiten nicht in der Lage sind das Gerät sicher zu bedienen, dürfen das Gerät nur unter Aufsicht oder Anweisung durch eine verantwortliche Person benutzen.
- Defekte Bauteile dürfen nur gegen Original-Ersatzteile ausgetauscht werden. Nur bei diesen Teilen ist gewährleistet, dass sie die Sicherheitsanforderungen erfüllen.
- Schützen Sie das Gerät vor Feuchtigkeit und dem Eindringen von Flüssigkeiten bzw. Gegenständen. Bei Kontakt mit Flüssigkeit sofort das Gerät von der Stromversorgung trennen.

Warnung – Schnittgefahr an den Schneidwalzen

Berühren Sie nicht die Schneidwalzen.

Gefahr eines elektrischen Schlages



- Öffnen Sie das Produkt nicht und betreiben Sie es bei Beschädigungen nicht weiter.
- Verwenden Sie das Produkt nicht, wenn der AC-Adapter, das Adapterkabel oder die Netzleitung beschädigt sind.
- Versuchen Sie nicht, das Produkt selbst zu warten oder zu reparieren. Überlassen Sie jegliche Wartungsarbeit dem zuständigen Fachpersonal.

2.3 Erklärung von Symbolen der Produktkennzeichnung

Warnung – Verletzungsgefahr



Beachten Sie die Warnsymbole, um Verletzungen oder eine Beschädigung des Gerätes zu vermeiden.

	Allgemeines Warnsymbol
	Lesen Sie vor Inbetriebnahme die beiliegende Bedienungsanleitung. Beachten Sie unbedingt die Sicherheitshinweise!
	<ul style="list-style-type: none">• Diese Einrichtung ist nicht für die Benutzung durch Kinder vorgesehen.• Berühren der Einführungsöffnung mit den Händen, der Kleidung oder den Haaren vermeiden.• Stecker ziehen, wenn die Einrichtung längere Zeit nicht benutzt wird.
	Gestatten Sie Kindern die Benutzung des Gerätes nur unter Aufsicht.
	Keine Büroklammern in den Einzugschacht geben.
	Nicht in den Einzugschacht greifen.
	Kleidung vom Einzugschacht fernhalten.
	Schmuck, z.B. Ketten, vom Einzugschacht fernhalten.
	Haare vom Einzugschacht fernhalten.
	Keine Aerosol-Produkte am oder in der Nähe des Gerätes verwenden.
	Stecken Sie max. 12 Blatt Papier gleichzeitig in den Einzugschacht (siehe 7. Technische Daten).
	Einzugschacht für CDs/DVDs und Blu-Rays. Geben Sie in den Einzugschacht immer nur eine CD/DVD oder Blu-Ray einzeln ein.
	Einzugschacht für Kreditkarten. Geben Sie in den Kreditkarten-Einzugschacht immer nur eine Kreditkarte einzeln ein.

2.4 Sicherheitseinrichtung

Das Gerät ist mit einer Sicherheitsschaltung ausgestattet und kann nur betrieben werden, wenn der Gerätekopf (1) ordnungsgemäß auf dem Abfallbehälter (7) aufgesetzt ist.

Warnung



Eine Manipulation oder Veränderung der Sicherheitseinrichtungen kann zu schweren Verletzungen führen und ist unzulässig.

3. Installation/Aufbau

Warnung



- Betreiben Sie das Produkt nur an einer dafür zugelassenen Steckdose. Die Steckdose muss in der Nähe des Produktes angebracht und leicht zugänglich sein.
- Trennen Sie das Produkt mittels des Ein-/Ausschalters vom Netz – wenn dieser nicht vorhanden ist, ziehen Sie die Netzleitung aus der Steckdose.
- Achten Sie bei Mehrfachsteckdosen darauf, dass die angeschlossenen Verbraucher die zulässige Gesamtleistungsaufnahme nicht überschreiten.
- Trennen Sie das Produkt vom Netz, wenn Sie es längere Zeit nicht benutzen.

Hinweis



- Stellen Sie das Produkt auf einer ebenen, horizontalen und ausreichend stabilen Fläche auf.
- Verlegen Sie alle Kabel so, dass sie keine Stolpergefahr darstellen.
- Knicken und quetschen Sie das Kabel nicht.
- Schützen Sie die Anschlussleitung vor heißen Oberflächen und scharfen Kanten.
- Verbinden Sie das Netzteil mit einer ordnungsgemäß installierten und leicht zugänglichen Netzsteckdose.

4. Bedienung und Betrieb

Hinweis



- Beachten Sie, dass sich die Dicke des Papiers beim Falten erhöht, dadurch kann die maximale Blattkapazität überschritten werden.
- Warten Sie immer bis ein Schneidvorgang abgeschlossen ist, bevor Sie den nächsten starten.
- Benutzen Sie das Gerät nicht länger als 2 Minuten im Dauerbetrieb.
- Entleeren Sie den Behälter regelmäßig, um eine Beschädigung des Gerätes zu vermeiden.

4.1 Gerät einschalten

- Stellen Sie den Schiebesechalter (8) auf die Position „“ (11).
- Die Status LED Bereitschaft (13) leuchtet dauerhaft grün.
- Das Gerät ist nun betriebsbereit.

4.2 Gerät ausschalten

- Stellen Sie den Schiebesechalter (8) auf die Position „“ (10).

4.3 Papier zerkleinern

- Führen Sie das Papier mittig in den Einzugschacht (2) ein. Die Schneidwalzen werden automatisch eingeschaltet.
- Lassen Sie das Papier los. Nach Beendigung des Schneidvorganges schaltet sich das Gerät wieder aus.

4.4 Plastikkarten zerkleinern

- Führen Sie die Plastikkarte mittig in den Einzugschacht (2) ein. Die Schneidwalzen werden automatisch eingeschaltet.
- Lassen Sie die Plastikkarte los. Nach Beendigung des Schneidvorganges schaltet sich das Gerät wieder aus.

4.5 CDs/DVDs/Blu-Rays zerkleinern

- Stellen Sie den Schiebesechalter (8) auf die Position „“ (12).
- Die Schneidwalzen werden dauerhaft eingeschaltet.
- Führen Sie die CD, DVD oder Blu-Ray mittig in den Einzugschacht (4) ein.
- Lassen Sie die CD, DVD oder Blu-Ray los.
- Stellen Sie den Schiebesechalter (8) nach Beendigung des Schneidvorganges auf die Position „“ (10), um das Gerät auszuschalten oder auf die Position „“ (11), um Papier oder Plastikkarten im Einzugschacht (2) zu vernichten.

4.6 Betriebsarten Vorwärts-/Rückwärtsbetrieb

Hinweis




Diese Betriebsarten dienen dazu, eine Blockierung des Schneidwerks wieder zu lösen.

- Stellen Sie den Schiebesechalter (8) auf die Position „“ (9). Die Walzen des Schneidwerks drehen sich nun in umgekehrter Richtung.
- Stellen Sie den Schiebesechalter (8) abwechselnd auf die Position „“ (12) und die Position „“ (9). Wiederholen Sie diesen Vorgang ca. drei Mal.

- Schalten Sie anschließend das Gerät – wie in **4.2 Gerät ausschalten** beschrieben – aus und ziehen Sie den Netzstecker.
- Entfernen Sie das gestaute Schnittgut vorsichtig aus dem Einzugschacht (2).
- Verbinden Sie das Gerät anschließend wieder – wie in **3. Installation/Aufbau** beschrieben – mit der Stromversorgung.

Hinweis

- Der Vorwärtsbetrieb kann genutzt werden, wenn Schneidgut nicht gänzlich eingezogen wurde, da es nicht vom Sensor zu erfassen war. V.a. bei kleineren Papierstücken kann dies vorkommen.
- Stellen Sie den Schiebesehalter (8) auf Position „“ (12), bis das zu vernichtende Papier komplett eingezogen wurde.

5. Wartung und Pflege

Gefahr – Lebensgefahr durch elektrischen Strom

Ziehen Sie den Netzstecker aus der Steckdose, bevor Sie mit der Reinigung beginnen.

Warnung – Schnittgefahr an den Schneidwalzen

Berühren Sie nicht die Schneidwalzen.

Warnung – Beschädigung des Gerätes durch Feuchtigkeit

Stellen Sie sicher, dass bei der Reinigung keine Feuchtigkeit in das Gerät eindringt, um eine irreparable Beschädigung des Gerätes zu vermeiden.

5.1 Behälter entleeren

- Schalten Sie das Gerät – wie in **4.2 Gerät ausschalten** beschrieben – aus und ziehen Sie den Netzstecker.
- Heben Sie den Gerätekopf (1) vom Abfallbehälter (7) ab.
- Entleeren Sie den Behälter (7).
- Setzen Sie den Gerätekopf (1) wieder auf den Abfallbehälter (7) auf.
- Verbinden Sie das Gerät anschließend wieder – wie in **3. Installation/Aufbau** beschrieben – mit der Stromversorgung.

5.2 Gerätereinigung

- Schalten Sie das Gerät – wie in **4.2 Gerät ausschalten** beschrieben – aus und ziehen Sie den Netzstecker.
- Reinigen Sie das Gerät mit einem trockenen Tuch. Bei starker Verschmutzung kann das Tuch ein wenig angefeuchtet werden.
- Lassen Sie das Gerät anschließend vollständig trocknen.
- Verbinden Sie das Gerät anschließend wieder – wie in **3. Installation/Aufbau** beschrieben – mit der Stromversorgung.

5.3 Schneidwalzen reinigen/ölen

Hinweis

- Ölen Sie die Schneidwalzen nach jedem Entleeren des Abfallbehälters, um die Lebensdauer des Aktenvernichters zu erhöhen.
- Eine entsprechende Auswahl passender Reinigungsmittel finden Sie unter www.hama.com.

- Schalten Sie das Gerät – wie in **4.1 Gerät einschalten** beschrieben – ein.

5.3.1 Reinigung mit Hama Reiniger für Aktenvernichter (Artikelnummer: 113820)

- Tragen Sie den Hama Reiniger für Aktenvernichter (Artikelnummer: 113820) in mehreren Bahnen auf ein Papier der Größe DIN A4 auf.
- Führen Sie das Papier mittig in den Einzugschacht (2) ein. Die Schneidwalzen werden automatisch eingeschaltet.
- Nach Beendigung des Schneidvorganges ist das Gerät wieder einsatzbereit.

5.3.2 Reinigung mit Reinigungspapier

- Führen Sie das Reinigungspapier mittig in den Einzugschacht (2) ein. Die Schneidwalzen werden automatisch eingeschaltet.
- Nach Beendigung des Schneidvorganges ist das Gerät wieder einsatzbereit.

5.4 Wechsel der Sicherung

- Lösen Sie mit einem geeigneten Schraubenzieher die Schraube (16) von der Netzstecker-Abdeckung (15) und entfernen Sie diese.
- Entnehmen Sie die Sicherung (17) und ersetzen Sie diese durch eine neue Sicherung.
- Bringen Sie die Netzstecker-Abdeckung (15) wieder an und verschließen Sie diese wieder mit Hilfe der Schraube (16).

Sicherungstyp	625
Max. Stromstärke	3A

Größe	6,3 x 25,4 mm
-------	---------------

6. Fehlerbehebung

Fehler	Mögliche Ursache	Behebung
Die Schneidwalzen schalten sich nach Eingabe von Schnittgut nicht automatisch ein.	Schiebesehalter (8) steht auf Position „  “ (10).	Stellen Sie den Schiebesehalter (8) auf Position „  “ (11).
	Anschlussleitung (3) ist nicht korrekt angeschlossen.	Stellen Sie sicher, dass der Netzstecker in der Steckdose steckt.
	Steckdose liefert keine Spannung.	Überprüfen Sie die Haussicherungen.
	Sicherung (17) im Netzstecker defekt.	Sicherung (17) austauschen (siehe 5.4. Wechsel der Sicherung)
Status LED Überhitzung (14) leuchtet rot auf.	Gerät defekt.	Benachrichtigen Sie den Kundendienst.
	Das Gerät ist zu heiß geworden.	Schalten Sie das Gerät aus und lassen Sie es mindestens 30 Minuten abkühlen.

7. Technische Daten

Eingangsspannung	220-240 V~
Netzfrequenz	50 Hz
max. Leistungsaufnahme	529 W
Abmessungen (B x H x T)	36,2 x 19,5 x 45,2 cm
Gewicht (netto)	5549 g
Gewicht (brutto)	6343 g
Korbvolumen Papier und Plastikkarten	21 Liter
Korbvolumen CD/DVD/Blu-Ray	0,8 Liter
max. Geräuschpegel	72 dB
max. Schnittleistung Papier (70g/m ²)	13 Blatt (DIN A4-Papier)*
max. Schnittleistung Papier (80g/m ²)	12 Blatt (DIN A4-Papier)*
max. Schnittleistung CD/DVD/Blu-Ray/Plastikkarten	1 Stück
max. Schnittgeschwindigkeit	2,0 m/Minute
max. Einzugsbreite Papier/Plastikkarten	220 mm
max. Einzugsbreite CD/DVD/Blu-Ray	120 mm
Schnittgröße Papier/Plastikkarten	4 mm x 40 mm
max. Dauerbetriebszeit	2 Minuten
Nennruhezzeit	min. 30 Minuten
Schutzklasse (nach DIN 66399)	2
Sicherheitsstufen (nach DIN 66399)	P-4 / T-4 / E-3

* Dickeres Papier, Feuchtigkeit oder eine andere als die zugelassene Spannung können die Leistung reduzieren.

8. Haftungsausschluss

Alle in dieser Bedienungsanleitung enthaltenen technischen Informationen, Daten und Hinweise für die Bedienung, entsprechen dem letzten Stand bei Drucklegung und erfolgen unter Berücksichtigung unserer bisherigen Erfahrungen und Erkenntnisse nach bestem Wissen. Die Hama GmbH & Co KG übernimmt keinerlei Haftung oder Gewährleistung für Schäden, die aus unsachgemäßem Installation, Montage und unsachgemäßem Gebrauch des Produktes oder einer Nichtbeachtung der Bedienungsanleitung und/oder der Sicherheitshinweise resultieren.

Constitution de la machine

1. Tête de l'appareil
2. Fente d'alimentation pour papier et cartes en plastique
3. Câble de raccordement (arrière de l'appareil)
4. Fente d'alimentation pour CD/DVD/Blu-ray
5. Symboles d'avertissement
6. Fenêtre
7. Conteneur de déchets
8. Sélecteur
9. Position "◀" (Arrière)
10. Position "○" (Arrêt)
11. Position "⏪" (Fonction de mise en marche/arrêt automatique de la fente d'alimentation pour papier et cartes en plastique)
12. Position "▶" (Fonction de marche avant de la fente d'alimentation pour CD/DVD/Blu-ray + fente d'alimentation pour papier et cartes en plastique)
13. Voyant d'état LED de disponibilité
14. Voyant d'état LED surchauffe
15. Cache de la prise secteur
16. Vis
17. Fusible

1. Introduction

1.1 Préambule

Nous vous remercions d'avoir choisi un produit Hama !
Veuillez prendre le temps de lire l'ensemble des remarques et consignes suivantes. Veuillez conserver ce mode d'emploi à portée de main afin de pouvoir le consulter en cas de besoin. Transmettez-le au nouveau propriétaire avec l'appareil le cas échéant.

Remarque : importance du mode d'emploi

Le non-respect du présent mode d'emploi lors de l'utilisation du produit s'apparente à une erreur d'utilisation ou à une utilisation abusive et n'est pas autorisé !

Remarque

Le présent produit est un produit qui neuf.
Il se peut que des résidus de découpe résultant des essais de qualité réalisés au cours de la production s'y trouvent encore.

1.2 Explication des symboles d'avertissement et des remarques

Risque d'électrocution

Ce symbole indique un risque de contact avec des parties non isolées du produit susceptibles de conduire un courant électrique capable de provoquer une électrocution.

Avertissement

Ce symbole est utilisé pour indiquer des consignes de sécurité ou pour attirer votre attention sur des dangers et risques particuliers.

Remarque

Ce symbole est utilisé pour indiquer des informations supplémentaires ou des remarques importantes.

1.3 Contenu de l'emballage

- Broyeur de documents "Home X12CD"
- Le présent mode d'emploi

2. Sécurité

2.1 Utilisation conforme

- Ce produit est conçu pour détruire des documents que ce soit dans le domaine privé ou commercial, dans la mesure où son utilisation est comparable à une utilisation domestique typique (par ex. bureaux, magasins et hôtels, etc.).
- L'emploi du produit est exclusivement réservé à sa fonction prévue.
- Le produit est exclusivement prévu pour une utilisation à l'intérieur d'un bâtiment.
- Protégez le produit de toute saleté, humidité, surchauffe et utilisez-le uniquement dans des locaux secs.
- N'utilisez pas l'appareil à proximité immédiate d'un chauffage, d'autres sources de chaleur ou à la lumière directe du soleil.
- N'utilisez pas l'appareil dans un environnement humide et évitez les projections d'eau.
- N'utilisez pas le produit en dehors des limites de puissance indiquées dans les caractéristiques techniques.
- Ce produit n'est pas conçu pour être utilisé en fonctionnement continu.

- N'utilisez pas le produit dans des zones où les produits électroniques ne sont pas autorisés.
- Protégez le produit des secousses violentes et évitez tout choc ou toute chute.
- Ce produit n'est pas destiné à être utilisé par des personnes (y compris des enfants) aux capacités physiques, mentales ou motrices réduites ou dont l'expérience et le savoir présentent des lacunes, à moins que ces personnes ne soient surveillées par une personne compétente en matière de sécurité ou qu'elles aient reçu des instructions sur la manière d'utiliser ce produit.
- Cet appareil, comme tout appareil électrique, doit être gardé hors de portée des enfants !
- Tenez les emballages d'appareils hors de portée des enfants, risque d'étouffement.
- Recyclez les matériaux d'emballage conformément aux prescriptions locales en vigueur.
- N'apportez aucune modification au produit. Des modifications vous feraient perdre vos droits de garantie.
- Utilisez l'article dans des conditions climatiques modérées uniquement.
- Pour retirer le câble, tirez directement au niveau de la fiche et non du câble.

Remarque

Ce produit est prévu uniquement à usage domestique !

Avertissement

Son utilisation est autorisée uniquement avec le conteneur de papier prévu !

Remarque concernant une utilisation commerciale

- Une vigilance renforcée doit être observée lors d'une utilisation commerciale.
- Respectez donc les règlements de prévention des accidents des associations professionnelles en matière d'installations et d'équipements électriques, tous les règlements applicables à l'activité commerciale et/ou au lieu d'implantation concernés ainsi que tous les règlements de prévention des accidents des associations professionnelles concernées et de l'assureur accidents.

Les matériaux suivants peuvent ou NE peuvent PAS être broyés :

Papier	✓
Papier avec agrafes	✓
Cartes magnétiques et cartes à puce d'identité	✓
CD, DVD, Blu-ray	✓
Papier continu, étiquettes adhésives, films plastiques, papier journal, carton, trombones, laminés, plastique (à l'exception des objets mentionnés préalablement)	✗

2.2 Consignes de sécurité de base

Assurez que l'environnement de l'appareil est sécurisé en respectant les consignes de sécurité suivantes :

- Avant toute utilisation vérifiez si l'appareil comporte des dommages visibles. Ne mettez pas un appareil endommagé en marche.
- Les personnes qui, en raison de leurs capacités physiques, mentales ou moteur ne peuvent pas utiliser l'appareil en toute sécurité, ne peuvent utiliser l'appareil que sous la surveillance ou la supervision d'une personne responsable.
- Les pièces défectueuses ne doivent être remplacées que par des pièces de rechange d'origine. Seules ces pièces garantissent le respect des exigences en matière de sécurité.
- Protégez l'appareil de l'humidité et de la pénétration de liquides et d'objets. En cas de contact avec un liquide, débranchez immédiatement l'appareil de l'alimentation en électricité.

Avertissement : risque de coupure au niveau des rouleaux de découpe

Ne touchez pas les rouleaux de découpe.

Risque d'électrocution

- Ne tentez pas d'ouvrir le produit en cas de détérioration et cessez de l'utiliser.
- N'utilisez pas le produit lorsque l'adaptateur, le câble de connexion ou le câble d'alimentation sont endommagés.
- Ne tentez pas de réparer l'appareil vous-même ni d'effectuer des travaux d'entretien. Déléguez tous travaux d'entretien à des techniciens qualifiés.


2.3 Explication des symboles d'identification du produit

Avertissement : risque de blessure 	
Veuillez respecter les symboles d'avertissement afin d'éviter les blessures ou un endommagement de l'appareil.	
	Symbole d'avertissement général
	Lisez le mode d'emploi joint avant toute mise en service. Veuillez impérativement respecter les consignes de sécurité !
	<ul style="list-style-type: none"> Cet équipement n'est pas destiné à être utilisé par des enfants. Évitez de toucher l'ouverture d'insertion avec les mains, les vêtements ou les cheveux. Débranchez l'appareil quand il ne doit pas être utilisé pendant une période prolongée.
	Autorisez l'utilisation de l'appareil par des enfants uniquement sous votre surveillance.
	N'insérez aucun trombone dans la fente d'alimentation.
	Ne pas mettre les mains dans la fente d'alimentation.
	Maintenir les vêtements à distance de la fente d'alimentation.
	Maintenir les bijoux, par exemple les chaînes à distance de la fente d'alimentation.
	Maintenir les cheveux à distance de la fente d'alimentation.
	Ne pas vaporiser de produits aérosols sur ou à proximité de l'appareil.
	Insérez au max. 12 feuilles de papier simultanément dans la fente d'alimentation (voir 7. Caractéristiques techniques).
	Fente d'insertion pour CD/DVD/Blu-rays. N'insérez qu'un CD/DVD ou Blu-ray à la fois dans la fente d'insertion.
	Fente d'insertion pour cartes de crédit. N'insérez qu'une carte de crédit à la fois dans la fente d'insertion pour cartes de crédit.

2.4 Équipement de sécurité

L'appareil est équipé d'un circuit de sécurité et ne peut être utilisé que lorsque la tête de l'appareil (1) est correctement insérée dans le conteneur de déchets (7).

Avertissement

Une manipulation ou une modification des équipements de sécurité peut provoquer des blessures graves et n'est pas autorisée. 

3. Installation/Mise en place

Avertissement

- Branchez l'appareil uniquement à une prise de courant appropriée. La prise de courant doit être située à proximité de l'appareil et doit être facilement accessible.
- Coupez l'appareil du secteur à l'aide de l'interrupteur - débranchez la prise de courant en cas d'absence d'interrupteur.
- En cas de prises multiples, veillez à ce que les appareils consommateurs branchés ne dépassent pas la puissance absorbée totale admissible.
- Débranchez l'appareil si vous ne l'utilisez pas sur une période prolongée.

Remarque

- Placez le produit sur une surface plane, horizontale et suffisamment solide.
- Disposez tous les câbles de sorte à ce qu'ils ne représentent aucun danger de trébuchement.
- Ne pliez pas et n'écrasez pas le câble.
- Protégez le câble de raccordement des surfaces chaudes et des arêtes coupantes.

- Branchez le bloc secteur à une prise de courant conformément installée et facile d'accès.

4. Utilisation et fonctionnement

Remarque

- Tenez compte du fait que l'épaisseur du papier augmente en cas de plis, la capacité maximale de feuilles peut ainsi être dépassée.
- Attendez toujours qu'un processus de découpe doit être terminé avant de lancer le suivant.
- N'utilisez pas l'appareil plus de 2 minutes de suite.
- Videz régulièrement le conteneur afin d'éviter tout endommagement du produit.

4.1 Mise en marche du produit

- Faites glisser le sélecteur (8) en position "☛" (11).
- Le voyant LED d'état de disponibilité (13) s'allume ensuite de manière permanente en vert.
- L'appareil est alors prêt à être utilisé.

4.2 Mise hors tension de l'appareil

- Faites glisser le sélecteur (8) en position "☉" (10).

4.3 Broyer du papier

- Insérez le papier au centre de la fente d'insertion (2). Les rouleaux de découpe sont automatiquement allumés.
- Lâchez le papier. Une fois le découpage terminé, l'appareil s'éteint de nouveau.

4.4 Broyer les cartes en plastique

- Insérez la carte en plastique au centre de la fente d'insertion (2). Les rouleaux de découpe sont automatiquement allumés.
- Lâchez la carte en plastique. Une fois le découpage terminé, l'appareil s'éteint de nouveau.

4.5 Broyer des CD, DVD, Blu-ray

- Faites glisser le sélecteur (8) en position "»/☉" (12).
- Les rouleaux de découpe fonctionnent en continu.
- Insérez le CD, DVD ou Blu-ray au centre de la fente d'insertion (4).
- Lâchez le CD, DVD, Blu-ray.
- Une fois le découpage terminé, faites glisser le sélecteur (8) en position "☉" (10) pour éteindre l'appareil ou en position "☛" (11) pour détruire le papier ou les cartes en plastique se trouvant dans la fente d'alimentation (2).

4.6 Modes de fonctionnement en marche avant/arrière

Remarque

Ces modes de fonctionnement servent à débloquer le dispositif de découpe. 

- Faites glisser le sélecteur (8) en position "«" (9). Les rouleaux du dispositif de découpe tournent alors dans le sens inverse.
- Placez le sélecteur (8) tour à tour en position "»/☉" (12) et en position "«" (9). Répétez le processus environ trois fois.
- Arrêtez ensuite l'appareil ainsi qu'il est décrit dans **4.2 Mise hors tension de l'appareil**, puis débranchez la prise secteur.
- Éliminez le matériau de découpe accumulé avec précaution de la fente d'insertion (2).
- Rebranchez l'appareil à l'alimentation en électricité ainsi qu'il est décrit dans **3. Installation/Mise en place**.

Remarque



- Le fonctionnement en marche avant peut être utilisé lorsque la matière à découper n'a pas été entièrement insérée car elle n'a pas été détectée par le capteur. Cela peut avant tout se produire pour les morceaux de papier de petite taille.
- Faites glisser le sélecteur (8) en position >⊙/⊙* (12) jusqu'à ce que le papier à détruire soit complètement inséré.

5. Soins et entretien

Danger : danger de mort en raison de l'alimentation électrique



Débranchez la prise électrique avant de commencer le nettoyage.

Avertissement : risque de coupure au niveau des rouleaux de découpe



Ne touchez pas les rouleaux de découpe.

Avertissement : l'humidité risque d'endommager l'appareil



Veillez à ce qu'aucun liquide ne pénètre dans l'appareil lors du nettoyage afin d'éviter un endommagement irréversible de l'appareil.

5.1 Vider le conteneur

- Mettez l'appareil hors tension ainsi qu'il est décrit dans **4.2 Mise hors tension de l'appareil**, puis débranchez la fiche secteur.
- Retirez la tête de l'appareil (1) du conteneur de déchets (7).
- Videz le conteneur (7).
- Remplacez la tête de l'appareil (1) sur le conteneur de déchets (7).
- Rebranchez l'appareil à l'alimentation en électricité ainsi qu'il est décrit dans **3. Installation/Mise en place**.

5.2 Nettoyage de l'appareil

- Mettez l'appareil hors tension ainsi qu'il est décrit dans **4.2 Mise hors tension de l'appareil**, puis débranchez la fiche secteur.
- Nettoyez l'appareil avec un chiffon sec. En cas de fort encrassement, le chiffon peut être légèrement humidifié.
- Laissez ensuite l'appareil séché complètement.
- Rebranchez l'appareil à l'alimentation en électricité ainsi qu'il est décrit dans **3. Installation/Mise en place**.

5.3 Nettoyer/huiler les rouleaux de découpe

Remarque



- Huilez les rouleaux de découpe après chaque vidage du conteneur de déchets afin d'augmenter la durée de vie du broyeur.
- L'entreprise Hama propose une gamme de produits de nettoyage adaptés sur www.hama.com.

- Mettez l'appareil sous tension, ainsi qu'il est décrit dans **4.1 Mise sous tension de l'appareil**.

5.3.1 Nettoyage avec le nettoyeur Hama pour broyeur de documents (Référence d'article : 113820)

- Appliquez le nettoyeur Hama pour broyeur de documents (Référence d'article : 113820) en plusieurs lignes sur un papier au format DIN A4.
- Insérez le papier au centre de la fente d'insertion (2). Les rouleaux de découpe sont automatiquement allumés.
- Une fois le processus de découpe terminé, l'appareil est de nouveau prêt à être utilisé.

5.3.2 Nettoyage avec une feuille de nettoyage

- Insérez la feuille de nettoyage au centre de la fente d'insertion (2). Les rouleaux de découpe sont automatiquement allumés.
- Une fois le processus de découpe terminé, l'appareil est de nouveau prêt à être utilisé.

5.4 Changement du fusible

- Dévissez la vis (16) du cache de la prise secteur (15) à l'aide d'un tournevis approprié et retirez-le.
- Retirez le fusible (17) et remplacez-le par un fusible neuf.
- Remettez le cache de la prise secteur (15) en place et refermez-le à l'aide de la vis (16).

Type de fusible	625
Intensité max.	3A
Dimensions	6,3 x 25,4 mm

6. Dépannage

Erreur	Cause possible	Solution
Les rouleaux de découpe ne se mettent pas en marche automatiquement lors de l'insertion de l'objet à découper.	Le sélecteur (8) se trouve en position ⊙* (10).	Faites glisser le sélecteur (8) en position ⊙* (11).
	Le câble de raccordement (3) n'est pas correctement branché.	Assurez-vous que la fiche secteur est bien insérée dans la prise secteur.
	La prise secteur ne délivre aucune tension.	Vérifiez les fusibles de la maison.
	Fusible (17) de la prise secteur défectueux.	Changement de fusible (17) (voir 5.4. Changement du fusible)
	Appareil défectueux.	Contactez le service clientèle.
Le voyant d'état LED de surchauffe (14) s'allume en rouge.	L'appareil est devenu trop chaud.	Mettez l'appareil hors tension et laissez-le refroidir au minimum pendant 30 minutes.

7. Caractéristiques techniques

Tension d'entrée	220 - 240 V~
Fréquence du réseau	50 Hz
Puissance absorbée max.	529 W
Dimensions (B x H x T)	36,2 x 19,5 x 45,2 cm
Poids (net)	5 549 g
Poids (brut)	6 343 g
Volume du tiroir pour papier et cartes en plastique	21 litres
Volume du tiroir pour CD/DVD/Blu-ray	0,8 litre
Niveau sonore max.	72 dB
Capacité de découpe max. papier (70 g/m ²)	13 feuilles de papier (format DIN A4)*
Capacité de découpe max. papier (80g/m ²)	12 feuilles de papier (format DIN A4)*
Volume de découpe max. CD/DVD/Blu-ray/cartes en plastique	1 pièce
Vitesse de découpe max.	2,0 m/Minute
Largeur d'insertion max. du papier/cartes en plastique	220 mm
Largeur d'insertion max. des CD/DVD/Blu-ray	120 mm
Dimension de découpe des papiers/cartes en plastique	4 mm x 40 mm
Durée de fonctionnement max.	2 minutes
Temps de repos nominal	min. 30 minutes
Classe de protection (conformément à la norme DIN 66399)	2
Niveaux de sécurité (conformément à la norme DIN 66399)	P-4/T-4/E-3

* Du papier trop épais, l'humidité ou une tension autre que celle autorisée peuvent réduire les performances de l'appareil.

8. Exclusion de garantie

Toutes les informations techniques contenues dans ce mode d'emploi, les données et instructions d'utilisation, correspondent à l'état actuel de la technique au moment de l'impression et sont données selon les meilleures expériences et connaissances disponibles en toute bonne foi.

La société Hama GmbH & Co KG décline toute responsabilité en cas de dommages provoqués par une installation, un montage ou une utilisation non conformes du produit ou encore provoqués par le non-respect des consignes du mode d'emploi et/ou des consignes de sécurité.

GB Information on disposal and environmental protection:



The consumer is required by law to properly dispose of electronic devices, as well as bulbs and batteries, at the end of their life. These items can be returned free of charge to the public collection points set up for this purposes or via retailers. The user is responsible for erasing any personal data prior to returning the item. Batteries and illuminants that are not permanently integrated into electronic devices and can be safely removed must be removed and disposed of separately prior to disposal of the item. Details on legally compliant disposal are governed by applicable local law. The symbol of a dustbin with a line through it means that electronic devices and batteries must not be disposed of in household waste at the end of their life. The characters below the symbol indicate any substances contained in the item, Pb for lead, Hg for mercury, Cd for cadmium. Electronic devices and batteries may contain valuable resources that are hazardous to human health and the environment. By recycling or collecting and reusing electronic devices / batteries separately, you are making an important contribution to protecting human health and the environment.

D Hinweis zur Entsorgung und Umweltschutz:



Der Verbraucher ist zur ordnungsgemäßen Entsorgung von elektronischen Geräten sowie Lampen und Batterien am Ende ihrer Lebensdauer gesetzlich verpflichtet. Diese können an den dafür eingerichteten öffentlichen Sammelstellen oder über den Handel unentgeltlich zurückgegeben werden. Personenbezogene Daten müssen in Eigenverantwortung vorher gelöscht werden. Batterien und Leuchtmittel, die nicht fest in Elektrogeräte eingebaut sind und gefahrlos entnehmbar sind, müssen vor der Entsorgung entnommen und separat entsorgt werden. Details zur rechtskonformen Entsorgung regelt das jeweilige Landesrecht. Das Symbol der durchgestrichenen Mülltonne bedeutet, dass Elektrogeräte und Batterien nach ihrer Lebensdauer nicht im Hausmüll entsorgt werden dürfen. Die Zeichen unterhalb des Symbols weisen ggf. auf enthaltene Inhaltsstoffe hin, Pb für Blei, Hg für Quecksilber, Cd für Cadmium. Elektrogeräte und Batterien können wertvolle Ressourcen und für die menschliche Gesundheit und die Umwelt schädliche Stoffe enthalten. Durch Wiederverwendung oder der getrennten Sammlung und Verwertung von Elektrogeräten/Batterien leisten Sie einen wichtigen Beitrag zum Schutz der menschlichen Gesundheit und Umwelt.

F Remarque relative à l'élimination des déchets et de la protection de l'environnement :





Le consommateur est légalement tenu de respecter les normes de mise au rebut des appareils électriques, des lampes et batteries au terme de leur durée de vie. Ces objets peuvent être remis ou recyclés gratuitement dans les points de collecte publics ou les commerces. Les données personnelles doivent être supprimées au préalable conformément aux responsabilités individuelles. Les batteries et ampoules qui n'ont pas été fixement intégrées à des appareils électriques et qui peuvent être retirées sans danger doivent être retirées avant le recyclage et éliminés de manière séparée. Les détails relatifs à l'élimination conforme aux normes sont précisés dans la législation du pays concerné. Le symbole de la benne barrée signifie que les appareils électriques et batteries ne doivent pas être éliminés avec les déchets ménagers au terme de leur durée de vie. Le cas échéant, les marques en-dessous du symbole font référence à certaines substances, Pb fait référence au plomb, Hg au mercure, Cd au cadmium. Les appareils électriques et les batteries peuvent contenir des ressources précieuses et dangereuses pour la santé humaine et l'environnement. En recyclant ou en faisant de la récupération ou de la collecte séparée d'appareils électriques / de batteries, vous apportez une contribution notable à la protection de la santé humaine et de l'environnement. Points de collecte sur www.quefairemesdechets.fr

hama

Hama GmbH & Co KG
86652 Monheim / Germany

Service & Support

 www.hama.com

 +49 9091 502-0

D

GB



ERC

**UK
CA**



All listed brands are trademarks of the corresponding companies. Errors and omissions excepted, and subject to technical changes. Our general terms of delivery and payment are applied.

73050544/04.22