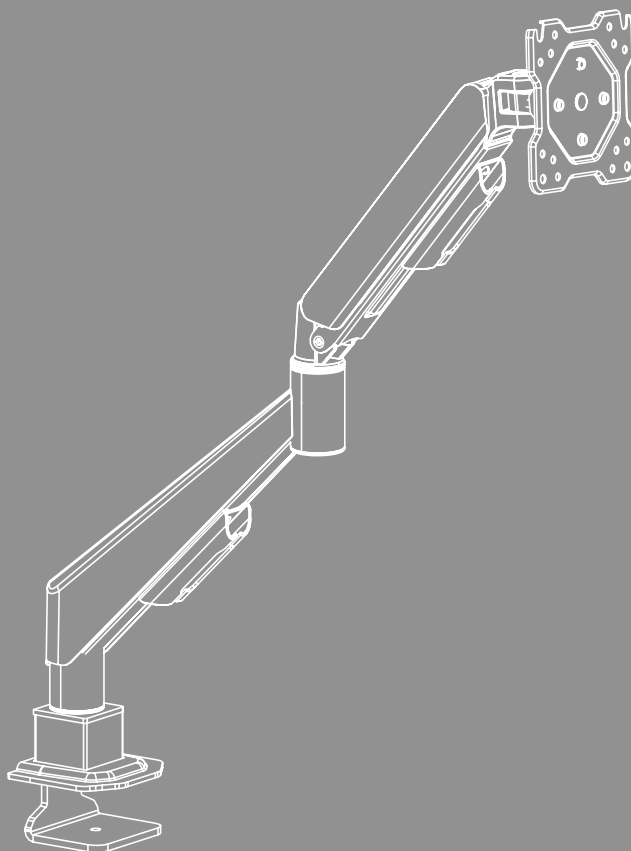


MONITOR MOUNT





Contents

1. Explanation of warning symbols and notes	3
2. Package contents	4
3. Additionally required tools	4
4. Safety instructions	5
5. Application and specifications	5
6. Preparation and mounting	6
6.1 Assembly preparation	7
6.2 Mounting the attachment to the table	8
6.2.1 Option A: Clamp mounting	8
6.2.2 Option B: Drill mounting	9
6.3 Mounting the monitor arm	10
6.4 Mounting the VESA plate on the monitor arm	12
6.5 Installing the monitor on the monitor mount	13
6.6 Cable management	14
7. Adjustment & maintenance	15
8. Setting options	16
8.1 Tilt adjustment	16
8.2 Height adjustment on the arm (adjustment of the gas spring)	17
8.3 Swivel adjustment	17
8.4 Rotation setting	18
9. Technical data	19
10. Warranty disclaimer	20
11. Service and support	20
12. Warranty conditions	20



GB Operating Instructions

Thank you for choosing a Hama product.

Take your time and read the following instructions and information completely. Please keep these instructions in a safe place for future reference. If you sell the device, pass on the illustrated quick start guide and the safety instructions in printed form to the new owner.

1. Explanation of warning symbols and notes

Warning



This symbol is used to indicate safety instructions or to draw your attention to specific hazards and risks.

Note










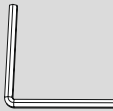
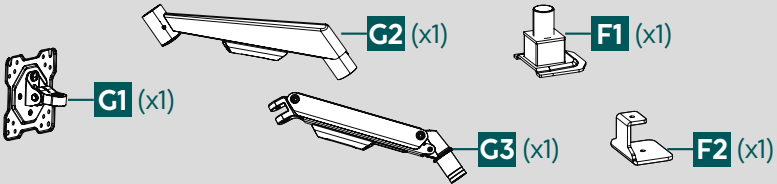
This symbol is used to indicate additional information or important notes.



2. Package contents

- Monitor arm
- Mounting kit
- Cable manager
- Safety instructions, illustrated quick start guide

Mounting kit

A1 	M4x12 (x4)	B2 	M8 (x1)
A2 	M8x45 (x1)	C1 	(x1)
A3 	M8x90 (x1)	D1 	3x3 (x1)
B1 	M8x35 (x1)	E1 	5x5 (x1)
			

Note

Please check the mounting kit for completeness before installing the mount and ensure that there are no faulty or damaged parts.

3. Additionally required tools



Note

Never install the mount alone. Seek assistance and help!



4. Safety instructions

Warning



- Given the multitude of terminal devices available on the market, the supplied mounting kit is unable to cover every option.
- The screws for attaching the device to the product may occasionally be too long.
- Read the operating instructions for your device before attempting to mount it. The instructions provide information about the type and dimensions of suitable fastening materials.
- If the supplied mounting kit does not contain suitable fastening materials for mounting the device, purchase these from a specialised dealer.
- Never apply force during mounting. This can damage your device or the product.
- If in doubt, have the mounting of the product done by a qualified technician - do not attempt to install it yourself!

Note - Commercial use



- If the device is used commercially, increased duty of care requirements apply.
 - Therefore, observe the accident prevention regulations of the Association of Professional Associations for Electrical Installations and Equipment and all other legal regulations applicable to the respective trade and/or place of use, as well as all accident prevention regulations of the relevant professional associations and accident insurers!
 - The mount must be installed by trained personnel or by a special technician, especially when installed in schools, educational institutions, hobby/self-service workshops or other publicly accessible institutions.
 - Have trained personnel carry out regular inspections to ensure that the product is securely installed, properly functioning and in acceptable condition (we recommend inspections at least quarterly, or more frequently if required for the particular location of use) and then document these inspections.
-
- Once you have mounted the product and the attached load, check that they are sufficiently secure and safe to use.
 - You should repeat this check at regular intervals (at least every three months).
 - Make sure that the product is loaded symmetrically.
 - Ensure that the product does not exceed its maximum permitted carrying capacity and that no load exceeding the maximum permitted dimensions is attached.
 - In the event of damage to the product, remove the attached load and stop using the product.
 - Mount the product only on tabletops with a sufficient load-bearing capacity and stability for the product and the device attached to it.
 - Make sure that the thickness of the table top corresponds to the specifications given in the enclosed illustrated instructions or the detailed instructions available online.
 - Do not attach any additional objects to the product.
 - Keep the packaging material out of the reach of children due to the risk of suffocation.
 - Dispose of packaging material immediately in accordance with the locally applicable regulations.
 - Note that the product can cause pressure marks on the surface of the table. This depends on the weight load and the stability of the surface at the installation site.

5. Application and specifications

- The product is intended only for use inside buildings.
- Use the product only for the intended purpose.



6. Preparation and mounting

Note



- Never install the mount alone. Seek assistance and help!
 - Different devices have different connections for cabling and other devices. Before commencing the installation, check whether the necessary connections can still be reached after mounting.
 - Depending on the product and mounting method, you may not need all parts of the mounting kit. It is therefore possible that unneeded screws and other small parts will be left over even after correct mounting. Keep these in a safe place together with the instructions for use for later reference (sale of the product, moving house).
- Observe the other warnings and safety instructions.
- Proceed step-for-step in accordance with the illustrated installation instructions.

Note



- Given the multitude of devices available on the market, we cannot describe all possible mounting versions here.
- Ensure that the mount is straight and level on the back of the monitor before tightening the screws.
- Ensure that all screws have the proper length and can be mounted until they are hand-tight.

Note





- This monitor mount can be attached to the table in two ways:
- **Option A:** Clamp mounting (tabletop thickness 15 - 45 mm)
- **Option B:** Drill mounting (tabletop thickness 15 - 45 mm)

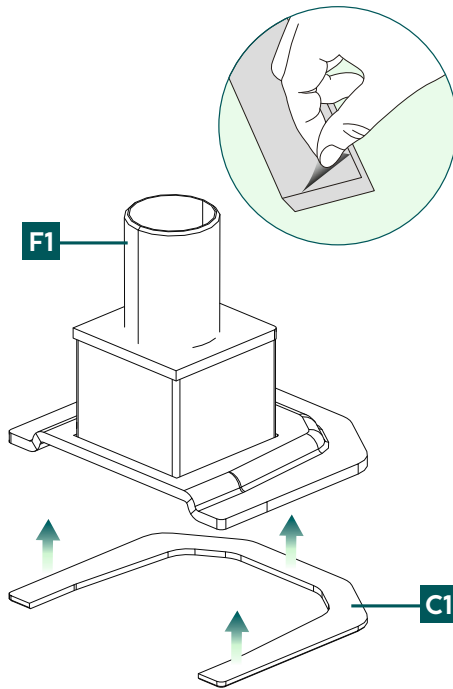
Warning




- Make sure that the table has the appropriate strength and stability for the type of installation.



6.1 Assembly preparation

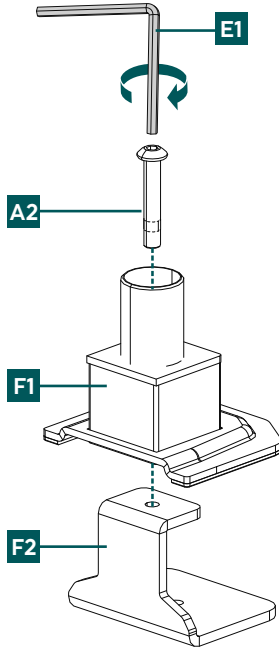


Attach the supplied foam strips [C1] by removing the protection foil from the self-adhesive backing, aligning the strips with the bottom of the mounting plate [F1] and then pressing down firmly.

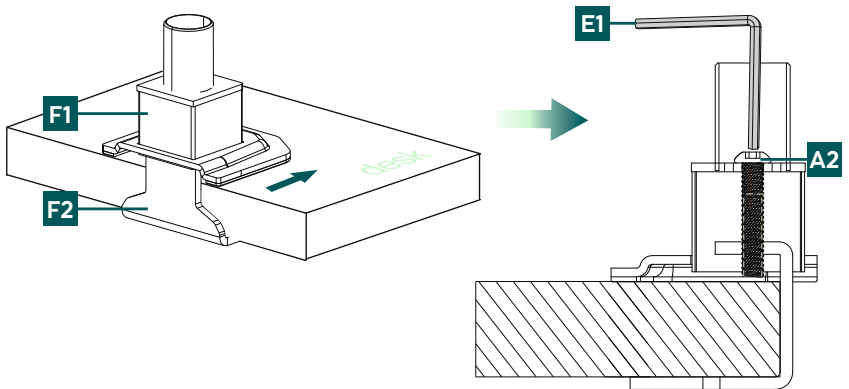


6.2 Mounting the attachment to the table

6.2.1 Option A: Clamp mounting



- First align the upper unit [F1] and the lower unit [F2] of the clamp so that the screw openings are exactly on top of each other.
- Insert the screw [A2] from above through the opening provided and connect the two units [F1/F2]. Use the largest Allen key [E1] to tighten the screw.

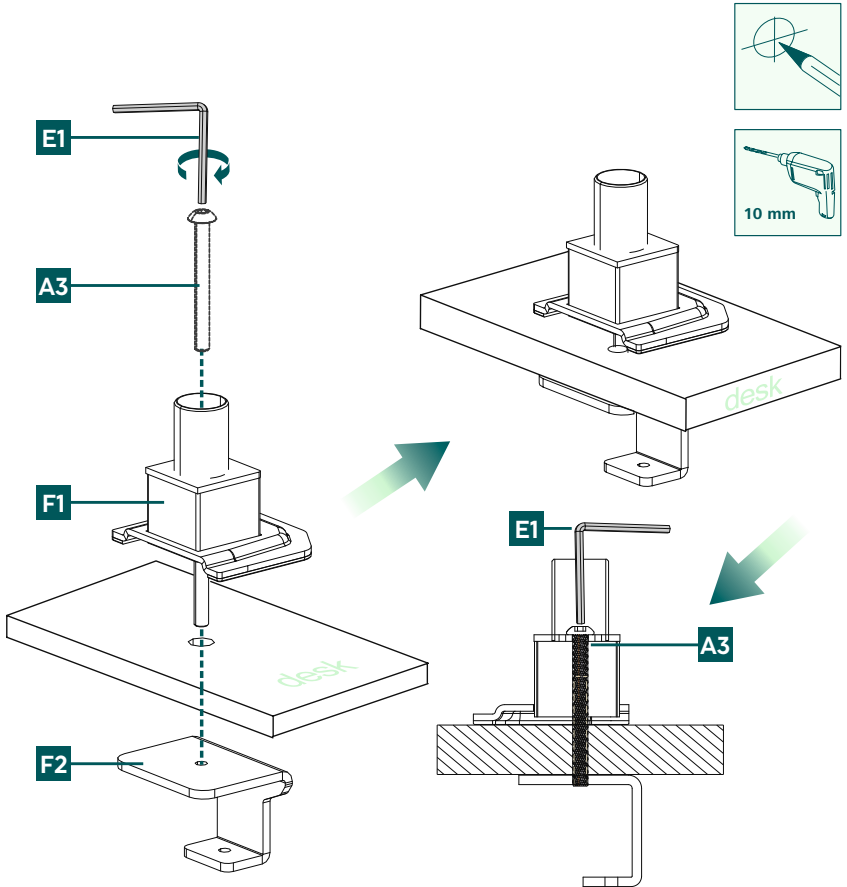


- In the next step, place the prepared clamp on the edge of the table. Make sure that the mount is flush with the edge of the table.
- Use the largest Allen key (E1) to tighten the screw (A2) until the mount is secure.

6.2.2 Option B: Drill mounting

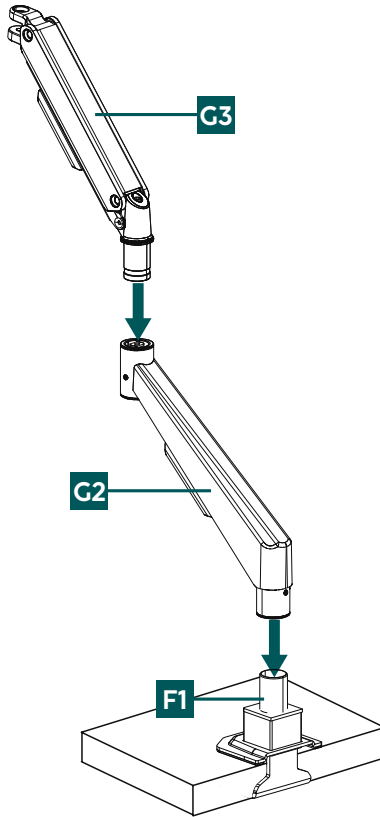
Note

You will need a drill with a 10 mm drill bit to attach the monitor mount. Make sure that the drill bit is suitable for the material of your table top and only drill through boards with a thickness of 15 to 45 mm.

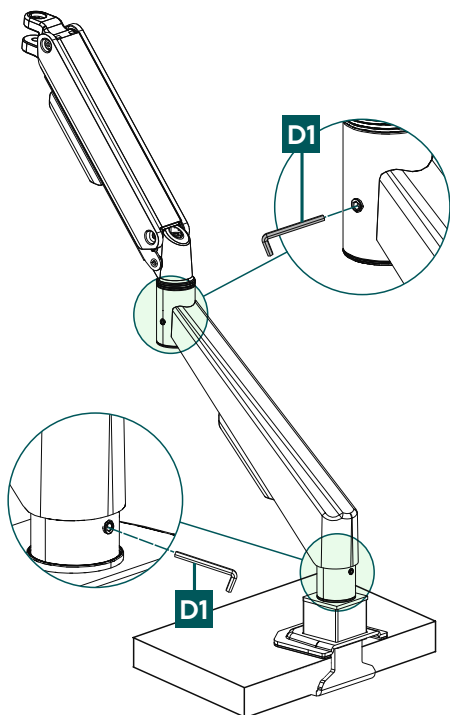


- Use the upper clamp connector [F1] as a template and check the dimensions if necessary to ensure the exact position for the drill hole. Then mark the drilling point at the desired location on your tabletop before drilling the hole.
- Insert the mounting screw [A3] from above through the table mount [F1] and then through the hole in the tabletop.
- Position the lower clamping connector [F2] from below onto the screw beneath the tabletop.
- Use the largest Allen key [E1] to tighten the screw [A3] so that the mount is secure.

6.3 Mounting the monitor arm



- First place the lower part of the monitor arm [G2] on the base [F1] mounted on the table.
- Then carefully place the upper part [G3] onto the lower part of the monitor arm [G2] by connecting the joint parts together.
- Ensure that the arms rest completely on the connection points.



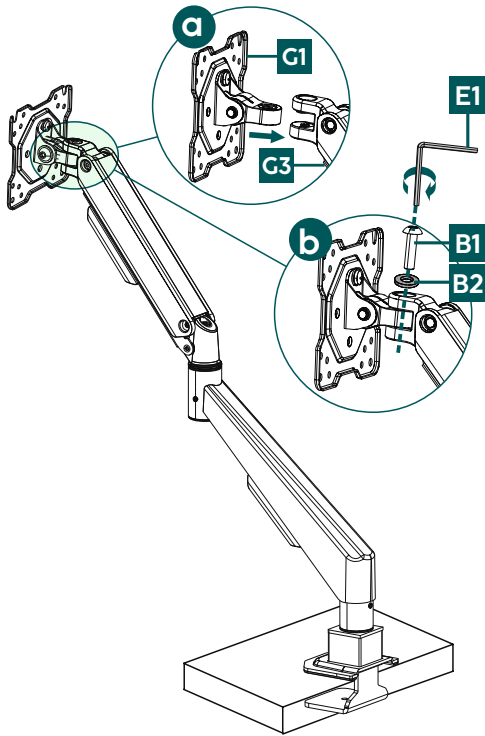
- Then secure the joint connection to the base by tightening the grub screw.
- Use the smaller Allen key [D1] and take care not to overtighten the screw.

Note

After tightening the grub screws, check that the monitor arm can be aligned smoothly and evenly at the joint. The adjustment should be smooth and without resistance.



6.4 Mounting the VESA plate on the monitor arm

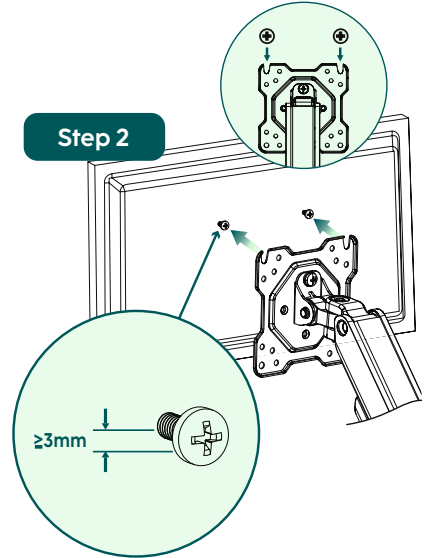
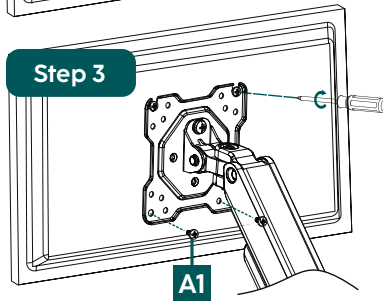
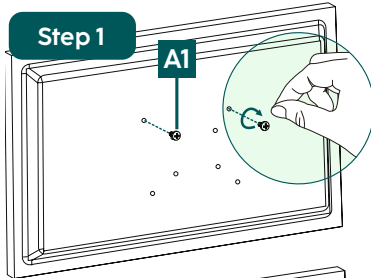


- a** Attach the VESA plate [G1] to the end of the monitor arm [G3] by inserting it into the support on the arm.
- b** Secure the connection by inserting the screw [B1] with the washer [B2] through the upper opening of the VESA plate and tightening it with the larger Allen key [E1].



6.5 Installing the monitor on the monitor mount

Get support and help from other people for the following assembly step.



Step 1

- Fasten the screws [A1] to the back of the monitor using a Phillips screwdriver. Make sure that the screws are not screwed in as far as they will go, but that a gap of around 3 mm is maintained from the screw head to the back of the monitor. This distance is absolutely necessary for the next step.

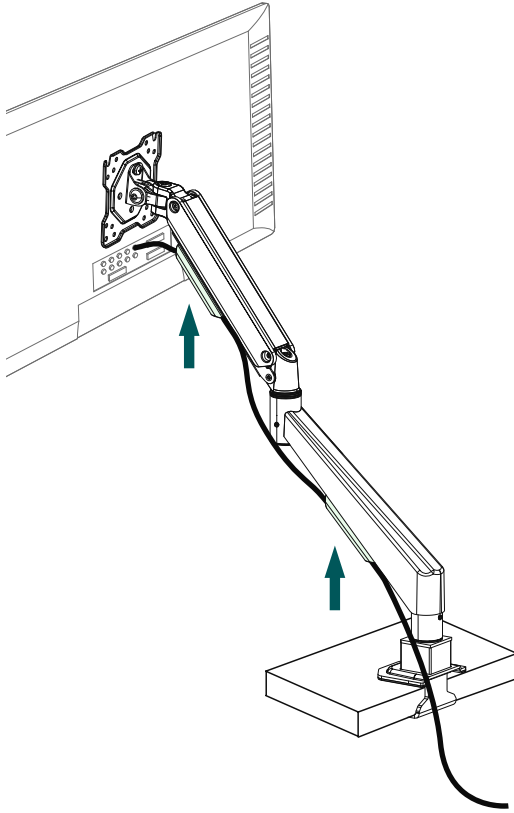
Step 2

- Now hang the monitor on the mount by attaching the shaft of the screws you have just fitted to the top of the VESA plate.

Step 3

- Tighten these screws using a Phillips screwdriver.
- Secure the monitor to the VESA plate with two additional screws [A1] at the bottom left and bottom right.

6.6 Cable management



First remove the cable guides by pushing them upwards and then pulling them out. Thread the cable through the cable guide and snap it into the recess on the monitor arm.



7. Adjustment & maintenance

Note



- Never adjust the mount alone. Seek assistance and help!
- When adjusting, ensure that the product is not loaded asymmetrically. The maximum permissible load capacity must not be exceeded.

Note - tiltable / full-motion mounts



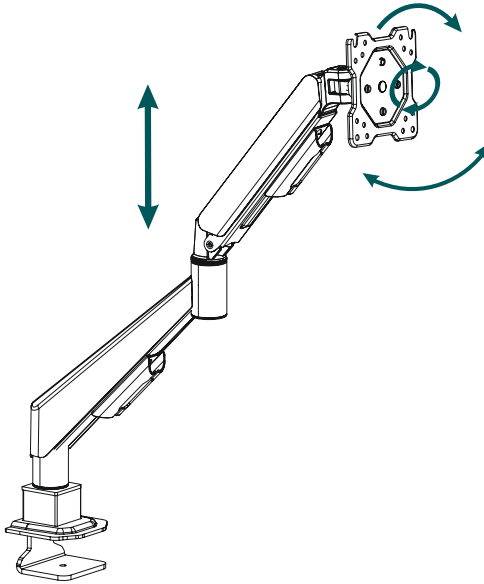
- To permanently set the tilt angle, loosen the attachment screws at the side, set the desired tilt angle and then tighten the screws again.
- In order to be able to flexibly adjust the tilt angle, turn the screws hand-tight only. In this way, the screen can be adjusted at any time.

Note – Adjustability with a gas spring



- IN the case of a screen that is too light for the current setting, the supporting arm will move upwards on its own. As a result, the spring strength must be reduced by turning the setting screw in the (-) direction.
 - If the supporting arm moves downwards on its own, the spring strength must be increase (+).
 - Always carry out any adjustment of the gas spring with the supporting arm fully lowered!
-
- No screws need to be loosened for the sideways movement.
 - Only swivel, tilt and rotate the mounted monitors within the designated area.
 - Once you have mounted the product and the attached load, check that they are sufficiently secure and safe to use.
 - You should repeat this check at regular intervals (at least every three months).
 - Only clean this product using a lint-free, slightly damp cloth and do not use any harsh cleaners.

8. Setting options



180° swivel



-/+45° tilt



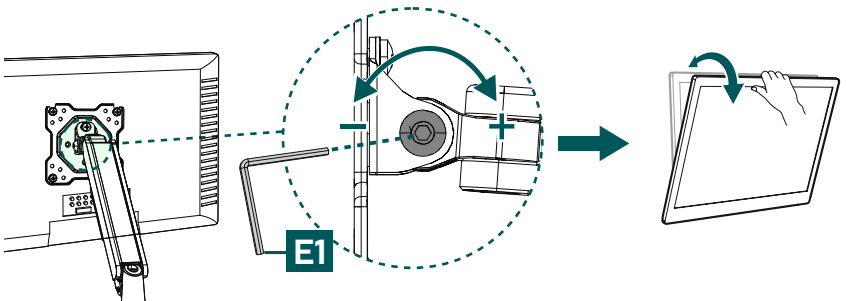
360° rotation



Steplessly
height-adjustable

8.1 Tilt adjustment

- Open the side mounting screw of the joint with the largest Allen key [E1] to set the desired tilt.
- Then rotate the screw firmly again. If you want to adjust the tilt flexibly, only tighten the screw by hand. In this case, the screen can be readjusted without tools. If the screw is fully tightened, it must first be loosened again to adjust the tilt.



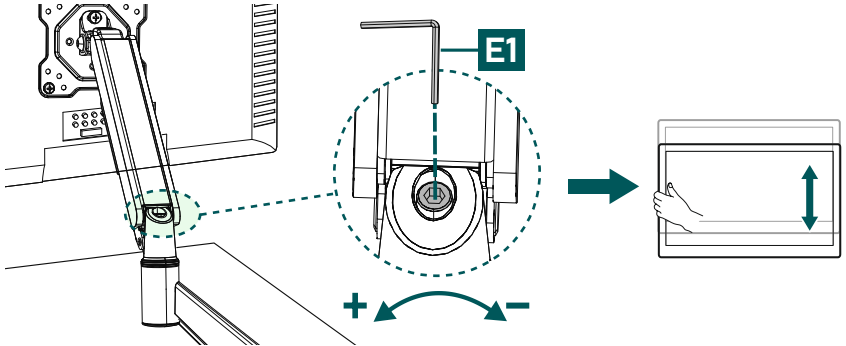
8.2 Height adjustment on the arm (adjustment of the gas spring)

Note

Never adjust the mount alone. Seek assistance and help!

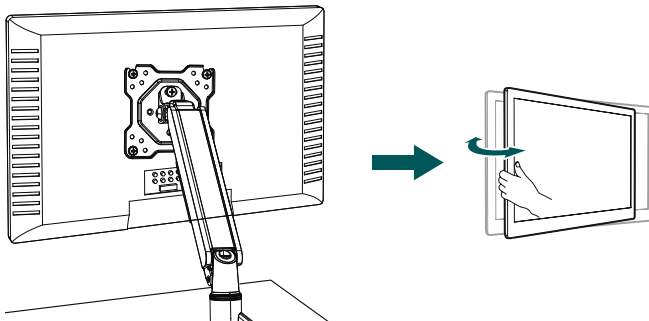


- To adjust the spring stiffness, rotate the adjusting screw with the largest Allen key [E1] in the marked direction (+) or (-) with the support arm fully lowered.
- After adjusting the spring stiffness, check whether the support arm together with the attached weight holds its position in any set position and does not move up or down independently. Repeat the setting if necessary when the supporting arm is fully lowered.
- Depending on the weight of the screen, several full turns of the adjustment screw may be necessary. Do not overtighten the screw (do not continue turning if it suddenly becomes stiff).



8.3 Swivel adjustment

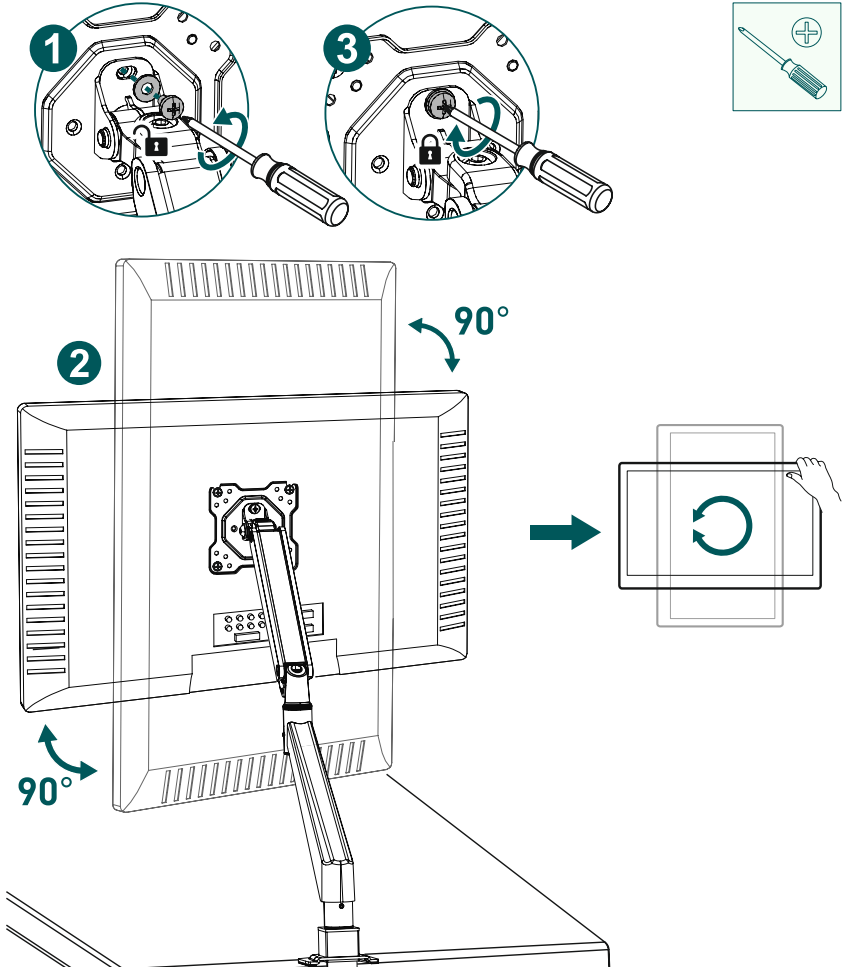
- No screws need to be loosened for the sideways movement.
- Ensure that the cables are not pinched and that there is sufficient clearance for further orientation.



8.4 Rotation setting

- 1 To adjust the rotation, the corresponding screw on the VESA plate must be loosened. Use a Phillips screwdriver for this.
- 2 Now simply align the monitor in portrait or landscape format as required.
- 3 Fix the position by retightening the previously removed screw.

Ensure that the cables are not pinched and that there is sufficient clearance for further orientation.



Note

The mount allows the monitor to be rotated 360° and fixed in four 90° positions.





9. Technical data

Maximum load:	15 kg
Screen diagonal:	43.0 - 89.0 cm (US: 17" - 35")
Rotation:	360°
Tilt:	-/+ 45° (device-dependent)
Swivel range:	180°
Mount:	Compliant with VESA standard: 75 x 75 100 x 100



10. Warranty disclaimer

Hama GmbH & Co KG assumes no liability and provides no warranty for damage resulting from improper installation/mounting, improper use of the product or from failure to observe the operating instructions and/or safety notes.

11. Service and support

Please contact Hama Product Consulting if you have any questions about this product.

Hotline: +49 9091 502-0 (German/English)

Further support information can be found here: www.hama.com

12. Warranty conditions

For this product, HAMA GmbH & Co KG grants you an extended manufacturer's warranty for freedom from defects, usability, workmanship and the durability of the materials used for a period of 10 years. Excluded from the guarantee is the compatibility of the product with future standards of further developed hardware.

Within the specified period, Hama GmbH & Co KG will remedy a justified warranty claim at its own discretion, free of charge, either by repair or replacement.

The warranty period begins on the date of purchase of this product and is valid throughout the EU.

The warranty granted is in addition to and does not affect your statutory rights. Damage caused by improper use, normal wear and tear, exposure to chemicals or force majeure, as well as tampering or repairs by you or third parties, are excluded from the warranty.

Furthermore, accessories that are not part of the basic equipment of the product (promotional parts) are excluded from the warranty.

In the event of a warranty claim, please contact us at Hama GmbH & Co KG, Dresdner Str. 9, 86653 Monheim, Germany, enclosing proof of purchase. You are also welcome to contact us at www.hama.de or by phone on +49 (0)9091/502-0.