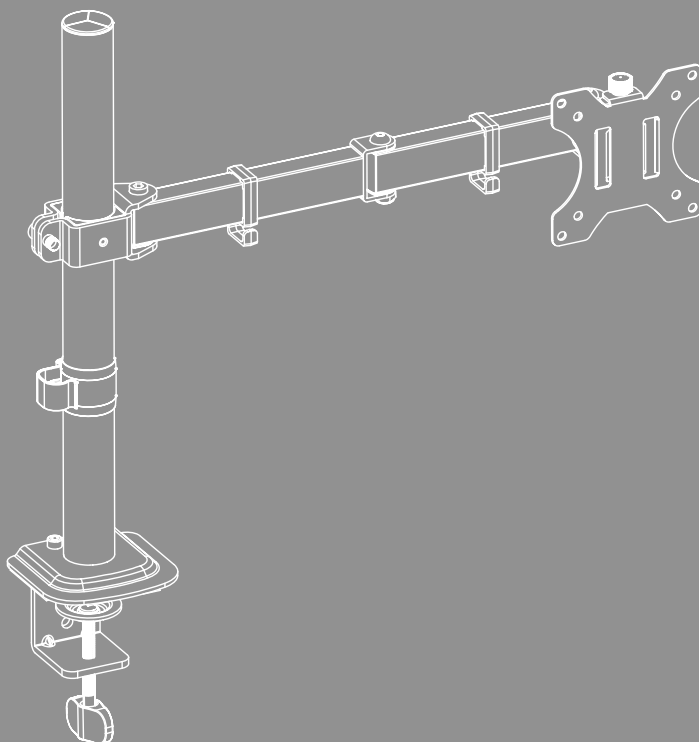


MONITOR HOLDER





Contents

1. Explanation of warning symbols and notes	3
2. Package contents	4
3. Additionally required tools	4
4. Safety instructions	5
5. Application and specifications	5
6. Preparation and mounting	6
6.1 Assembly preparation	7
6.2 Mounting the attachment to the table	8
6.2.1 Option A: Clamp mounting	8
6.2.2 Option B: Drill mounting	9
6.3 Mounting the monitor arm	10
6.4 Mounting the VESA plate on the back of the monitor	11
6.5 Mounting the monitors on the monitor mount	12
6.6 Cable management	13
7. Adjustment & maintenance	14
8. Setting options	14
8.1 Tilt adjustment	15
8.2 Height adjustment along the rod	15
8.3 Swivel adjustment	16
8.4 Rotation setting	16
9. Technical data	17
10. Warranty disclaimer	18
11. Service and support	18
12. Warranty conditions	18



GB Operating Instructions

Thank you for choosing a Hama product!

Take your time and read the following instructions and information completely. Please keep these instructions in a safe place for future reference. If you sell the device, pass on the illustrated quick start guide and the safety instructions in printed form to the new owner.

1. Explanation of warning symbols and notes

Warning



This symbol is used to indicate safety instructions or to draw your attention to specific hazards and risks.

Note



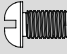







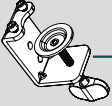


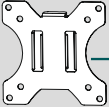
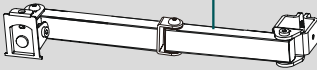

This symbol is used to indicate additional information or important notes.



2. Package contents

- Monitor Arm
- Mounting kit
- Cable manager
- Safety instructions, illustrated quick start guide

Mounting kit

A1		M4x12 (x4)	C1		(x3)
A2		M5x12 (x4)	D1		5 mm (x1)
A3		D5 (x4)	E1		6 mm (x1)
B1		(x1)	H1		(x2)
					
					
					
					
					
					

Note

Please check the mounting kit for completeness before installing the mount and ensure that there are no faulty or damaged parts.

3. Additionally required tools



Note

Never install the mount alone. Seek assistance and help!



4. Safety instructions

Warning



- Given the multitude of terminal devices available on the market, the supplied mounting kit is unable to cover every option.
- The screws for attaching the terminal device to the product may occasionally be too long.
- Read the operating instructions for your terminal device before attempting to mount it. The instructions provide information about the type and dimensions of suitable fastening materials.
- If the supplied mounting kit does not contain suitable fastening materials for mounting the terminal device, purchase these from a specialised dealer.
- Never apply force during mounting. This can damage your terminal device or the product.
- If in doubt, have the mounting of the product done by a qualified technician - do not attempt to install it yourself!

Note - Commercial use



- If the device is used commercially, increased duty of care requirements apply.
- Therefore, observe the accident prevention regulations of the Association of Professional Associations for Electrical Installations and Equipment and all other legal regulations applicable to the respective trade and/or place of use, as well as all accident prevention regulations of the relevant professional associations and accident insurers!
- The mounting of the mount must be done by trained personnel or by a special technician, especially when installed in schools, educational institutions, hobby/self-service workshops or other publicly accessible institutions.
- Have trained personnel carry out regular inspections to ensure that the product is securely installed, properly functioning and in acceptable condition (we recommend inspections at least quarterly, or more frequently if required for the particular location of use) and then document these inspections.
- Once you have mounted the product and the attached load, check that they are sufficiently secure and safe to use.
- You should repeat this check at regular intervals (at least every three months).
- Make sure that the product is loaded symmetrically.
- Ensure that the product does not exceed its maximum permitted carrying capacity and that no load exceeding the maximum permitted dimensions is attached.
- In the event of damage to the product, remove the attached load and stop using the product.
- Mount the product only on tabletops with a sufficient load-bearing capacity and stability for the product and the device attached to it.
- Make sure that the thickness of the table top corresponds to the specifications given in the enclosed illustrated instructions or the detailed instructions available online.
- Do not attach any additional objects to the product.
- Keep the packaging material out of the reach of children due to the risk of suffocation.
- Dispose of packaging material immediately in accordance with the locally applicable regulations.
- Note that the product can cause pressure marks on the surface of the table. This depends on the weight loading and on the stability of the surface at the place of installation.

5. Application and specifications

- The product is intended only for use inside buildings.
- Use the product only for the intended purpose.



6. Preparation and mounting

Note



- Never install the mount alone. Seek assistance and help!
- Different terminal devices have different connection possibilities for cabling and other devices. Before commencing the installation, check whether the necessary connections can still be reached after mounting.
- Depending on the product and mounting method, you may not need all parts of the mounting kit. It is therefore possible that unneeded screws and other small parts will be left over even after correct mounting. Keep these in a safe place together with the instructions for use for later reference (sale of the product, moving house).

- Observe the other warnings and safety instructions.
- Proceed step-for-step in accordance with the illustrated installation instructions.

Note



- Given the multitude of terminal devices structures available on the market, we cannot describe all possible mounting versions here.
- Ensure that the bracket is straight and level on the back of the monitor before tightening the screws.
- Ensure that all screws have the proper length and can be mounted until they are hand-tight.

Note





- This monitor mount can be attached to the table in two ways:
- **Option A:** Clamp mounting (tabletop thickness 10 - 50 mm)
- **Option B:** Drill mounting (tabletop thickness 10 - 50 mm)

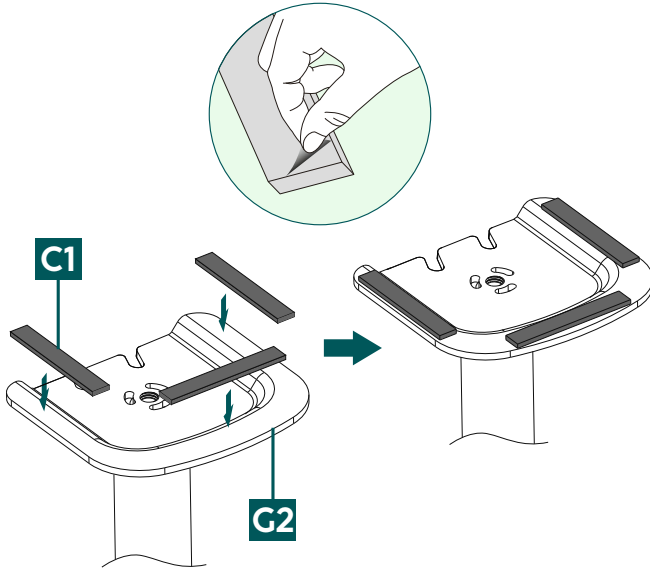
Warning



- Make sure that the table has the appropriate strength and stability for the type of installation.



6.1 Assembly preparation

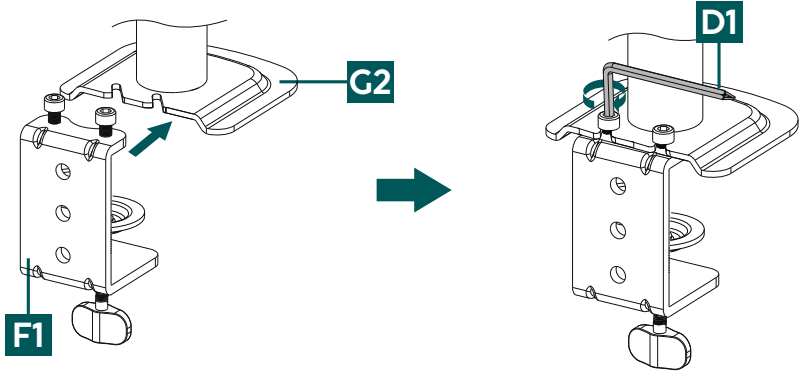


Attach the supplied foam strips [C1] by removing the protection foil from the self-adhesive backing, aligning the strips with the bottom of the mounting plate [G2] and then pressing down firmly.

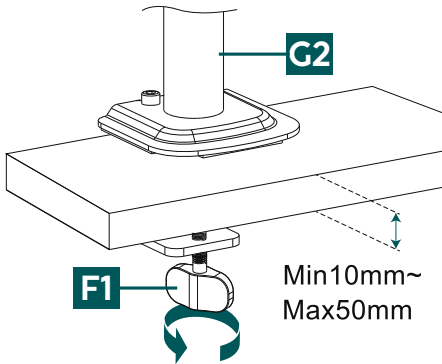


6.2 Mounting the attachment to the table

6.2.1 Option A: Clamp mounting



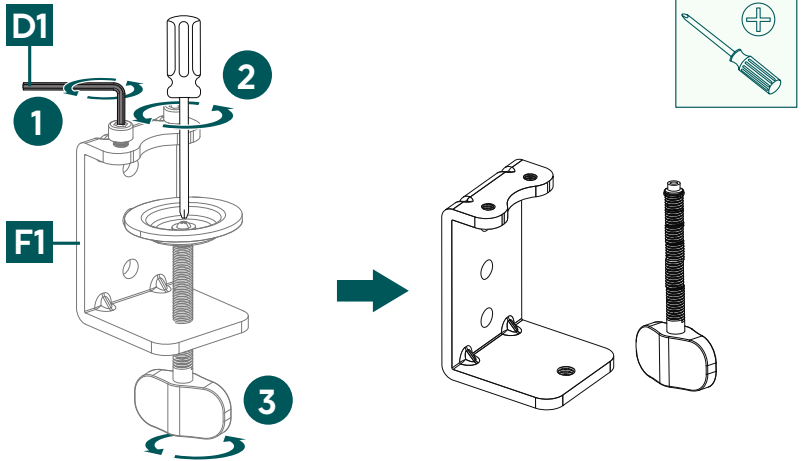
- First, loosen the two screws of the clamp [F1] and connect them to the mounting rod [G2]. Use the smaller Allen key [D1] for this.
- Then re-secure the screws.



- In the next step, open the clamp [F1] and place it on the edge of the table. Make sure that the mount is flush with the edge of the table.
- Tighten the clamping screw on the underside until the mount is securely in place.



6.2.2 Option B: Drill mounting

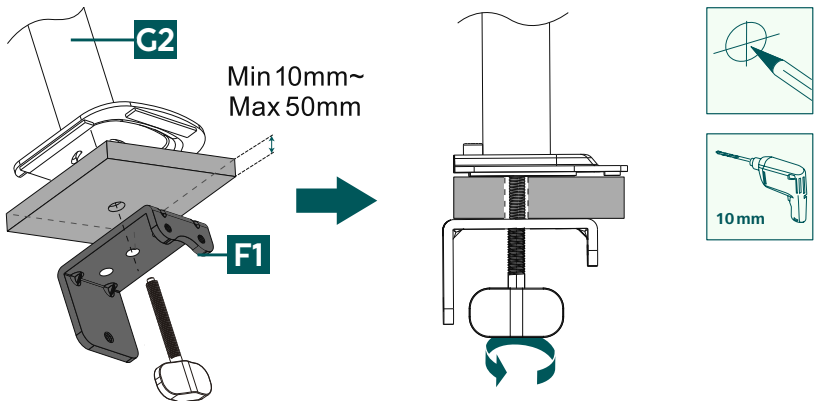


- In the first step, use the smaller Allen key [D1] to remove the two screws of the clamp [F1] (see step 1) and then the clamping plate of the clamping screw (see step 2).
- Rotate the clamping screw by hand (see step 3).

Note

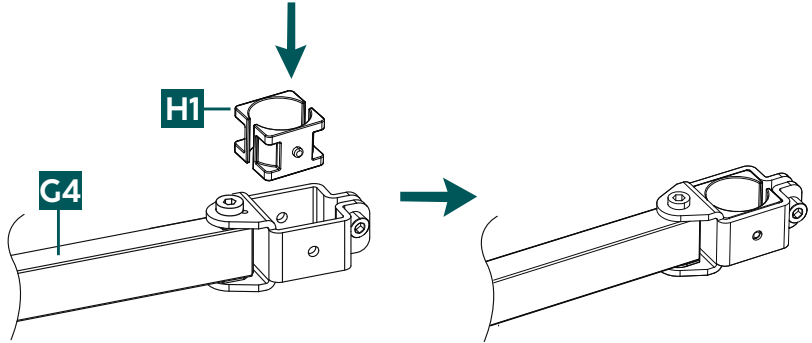


- You will need a drill with a 10 mm drill bit to attach the monitor mount. Make sure that the drill bit is suitable for the material of your table top and only drill through boards with a thickness of 10 to 50 mm.

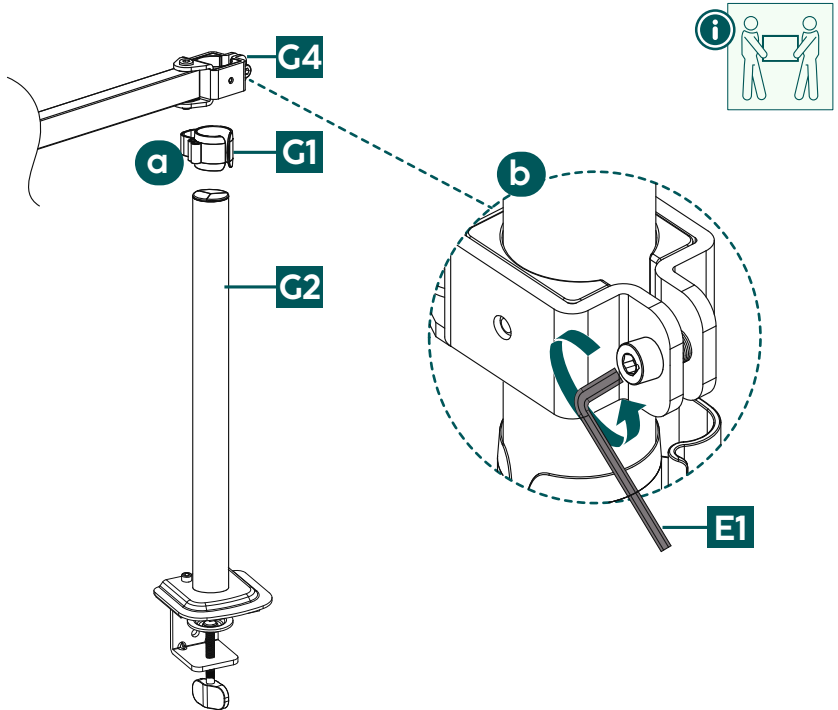


- Use the clamp connector [F1] as a template and check the dimensions if necessary to ensure the exact position for the drill hole. Then mark the desired position on your table top before drilling the hole.
- Finally, attach the clamping connector and clamping screw [F1] to the bottom of the tabletop.
- Place the rod [G2] onto the table from above and back it up by hand by tightening it.

6.3 Mounting the monitor arm



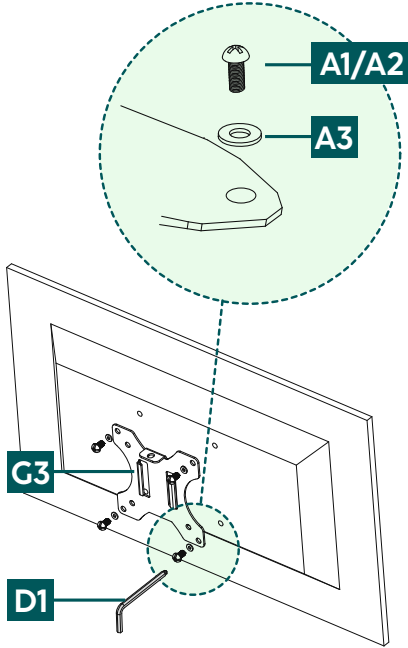
Snap the two connecting pieces [H1] into the joint of the support arm [G4].



- a** Attach the cable manager [G1] by clipping it to the mounting rod [G2].
- b** Position the monitor arm [G4] at the desired height on the rod [G2]. Then secure it by tightening the screw on the back using the larger Allen key [E1].



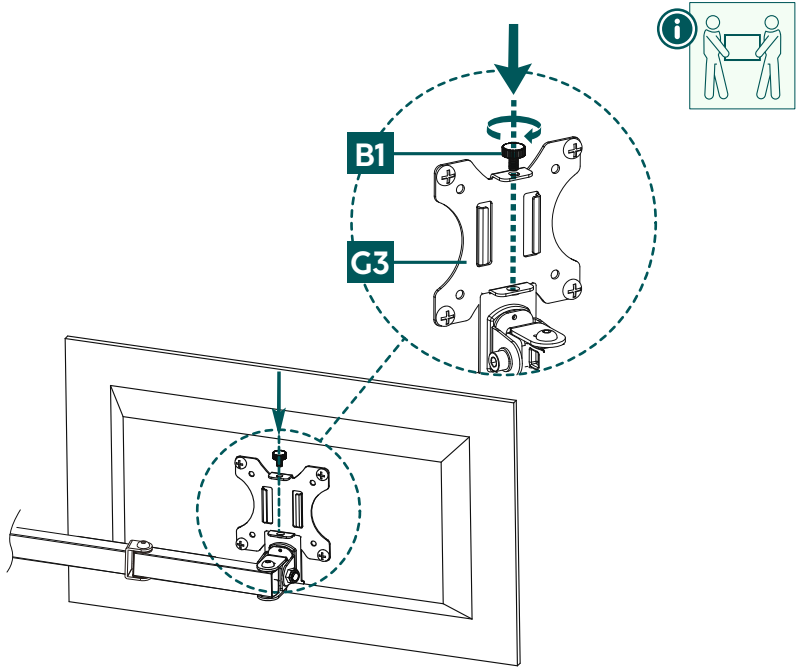
6.4 Mounting the VESA plate on the back of the monitor



- Mount the VESA plate [G3] on the back of your monitor. Use the smaller Allen key [D1].
- Note the combination of screw [A1/A2] and washer [A3] listed above.

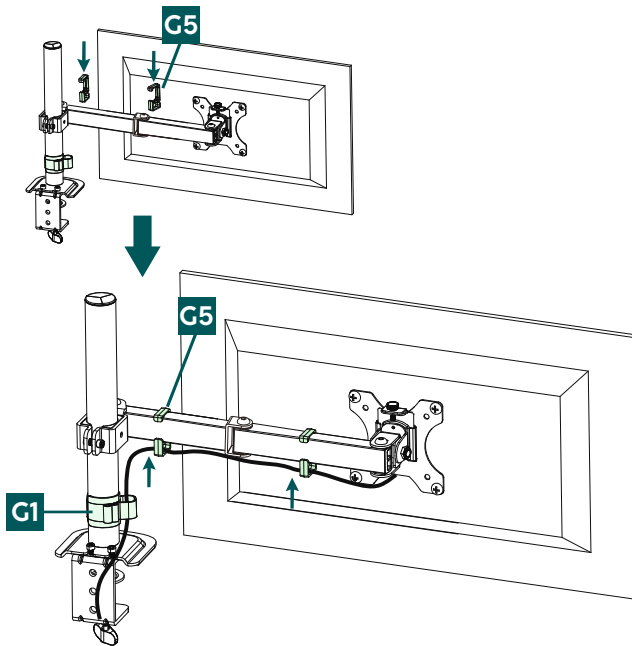
6.5 Mounting the monitors on the monitor mount

Get support and help from other people for the following assembly step.



- Hang the monitor with the mounted VESA plate [G3] on the monitor mount and secure the mounting with the screw [B1].

6.6 Cable management



- Attach the supplied cable clips [G5] to the support arm [G4] by aligning them in the desired position and then hooking them on.
- Use the cable clips [G1 / G5] you have just fitted and those fitted earlier to organise the cables.

7. Adjustment & maintenance

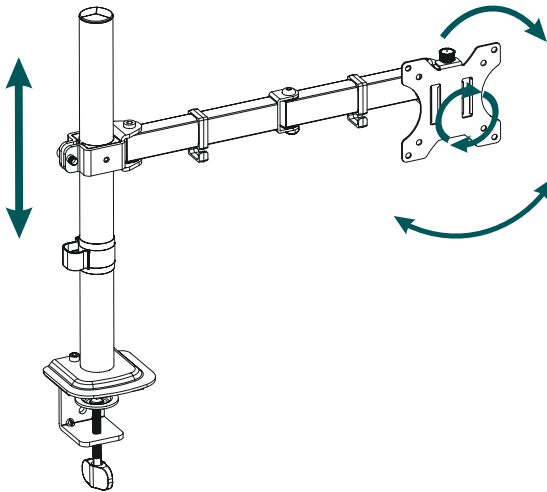
Note

- Never adjust the mount alone. Seek assistance and help!
- When adjusting, ensure that the product is not loaded asymmetrically. The maximum permissible load capacity must not be exceeded.

Note - tiltable / full-motion mounts

- To permanently set the tilt angle, loosen the attachment screws at the side, set the desired tilt angle and then tighten the screws again.
 - In order to be able to flexibly adjust the tilt angle, turn the screws hand-tight only. In this way, the screen can be adjusted at any time.
-
- No screws need to be loosened for the sideways movement.
 - Only swivel, tilt and rotate the mounted monitor within the designated range.
 - Once you have mounted the product and the attached load, check that they are sufficiently secure and safe to use.
 - You should repeat this check at regular intervals (at least every three months).
 - Only clean this product using a lint-free, slightly damp cloth and do not use any harsh cleaners.

8. Setting options



180° swivel



-/+45° tilt



360° rotation

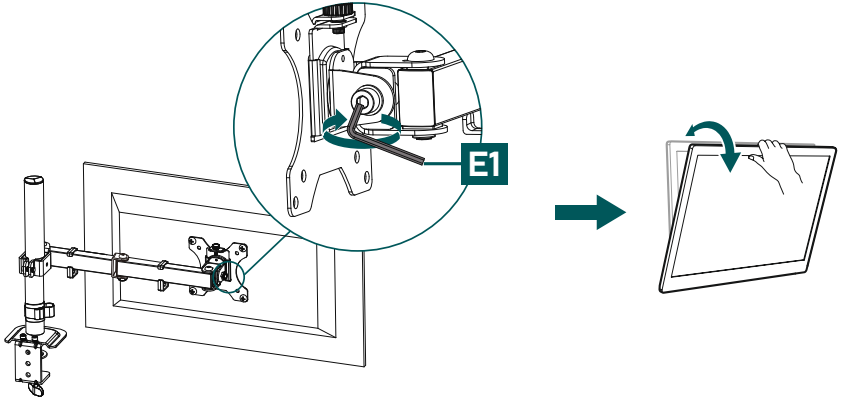


Steplessly
height-adjustable



8.1 Tilt adjustment

- Open the side mounting screw of the joint using the larger Allen key (E1) to set the desired tilt.
- Then rotate the screw firmly again. If you want to adjust the tilt flexibly, only tighten the screw by hand. In this case, the screen can be readjusted without tools. If the screw is fully tightened, it must first be loosened again to adjust the tilt.



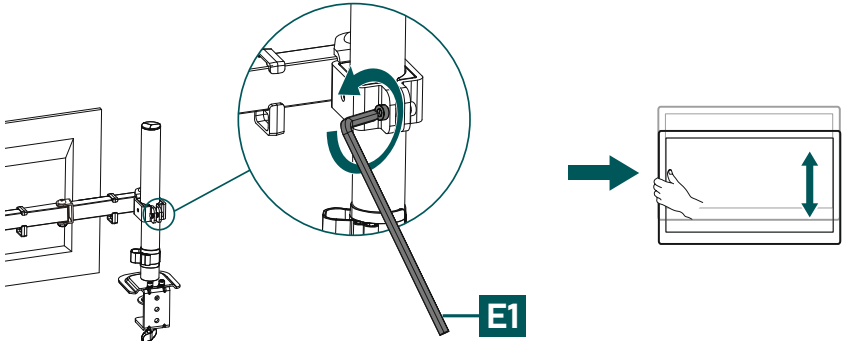
8.2 Height adjustment along the rod

Note

- Never adjust the mount alone. Seek assistance and help!



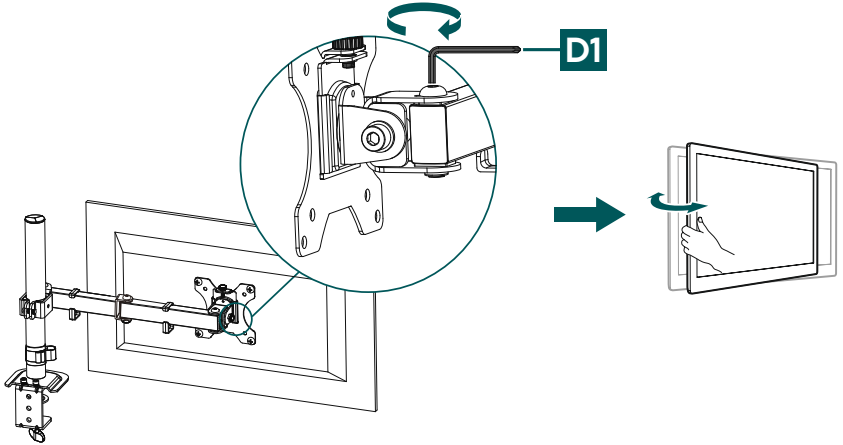
- To adjust the height of the monitor holder, rotate the screw with the larger Allen key [E1] and move the screen up or down accordingly. Then tighten the screw again.





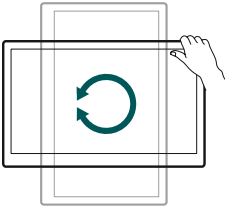
8.3 Swivel adjustment

- Loosen the upper mounting screw of the hinge using the smaller Allen key [D1] to swivel the monitor.
- Then rotate the screw firmly again. If you want to adjust the swivelling flexibly, only tighten the screw by hand. In this case, the screen can be readjusted without tools. If the screw is fully tightened, it must be loosened again before adjusting the swivel.



8.4 Rotation setting

- No screws need to be loosened to adjust the rotation. Simply align the monitor mounts in portrait or horizontal format as required.
- Ensure that the cables are not pinched and that there is sufficient clearance for further orientation.





9. Technical data

Maximum load:	15 kg
Screen diagonal:	33.0 - 89.0 cm (US: 13" - 35")
Rotation:	360°
Tilt:	-/+ 45° (device-dependent)
Swivel range:	180°
Mount:	Compliant with VESA standard: 75 x 75 100 x 100



10. Warranty disclaimer

Hama GmbH & Co KG assumes no liability and provides no warranty for damage resulting from improper installation/mounting, improper use of the product or from failure to observe the operating instructions and/or safety notes.

11. Service and support

Please contact Hama Product Consulting if you have any questions about this product.

Hotline: +49 9091 502-0 (German/English)

Further support information can be found here: www.hama.com

12. Warranty conditions

For this product, HAMA GmbH & Co KG grants you an extended manufacturer's warranty for freedom from defects, usability, workmanship and the durability of the materials used for a period of 10 years. Excluded from the guarantee is the compatibility of the product with future standards of further developed hardware.

Within the specified period, Hama GmbH & Co KG will remedy a justified warranty claim at its own discretion, free of charge, either by repair or replacement.

The warranty period begins on the date of purchase of this product and is valid throughout the EU.

The warranty granted is in addition to and does not affect your statutory rights. Damage caused by improper use, normal wear and tear, exposure to chemicals or force majeure, as well as tampering or repairs by you or third parties, are excluded from the warranty.

Furthermore, accessories that are not part of the basic equipment of the product (promotional parts) are excluded from the warranty.

In the event of a warranty claim, please contact us at Hama GmbH & Co KG, Dresdner Str. 9, 86653 Monheim, Germany, enclosing proof of purchase. You are also welcome to contact us at www.hama.de or by phone on +49 (0)9091/502-0.