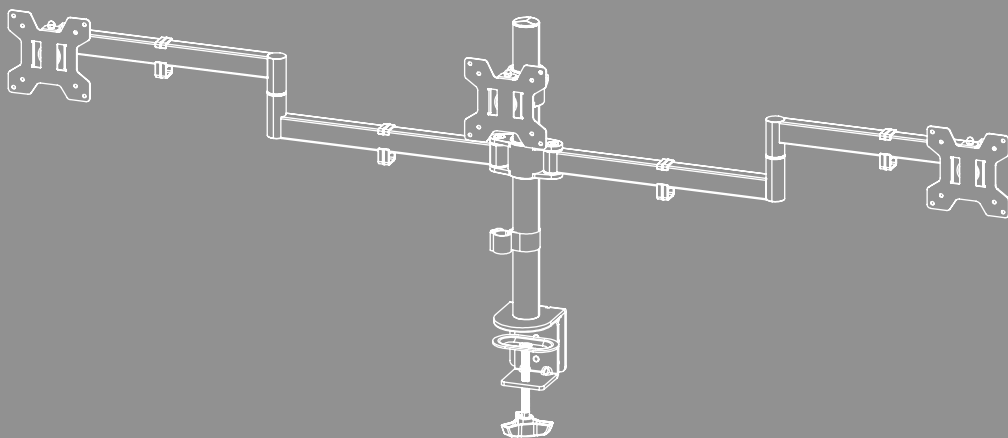


# MONITOR HOLDER





---

## Contents

|  |    |
|--|----|
| 1. Explanation of warning symbols and notes . . . . .                | 3  |
| 2. Package contents . . . . .  | 4  |
| 3. Additionally required tools . . . . .                             | 4  |
| 4. Safety instructions . . . . .                                     | 5  |
| 5. Application and specifications . . . . .                          | 5  |
| 6. Preparation and mounting . . . . .                                | 6  |
| 6.1 Mounting the attachment to the table . . . . .                   | 7  |
| 6.1.1 Option A: Clamp mounting . . . . .                             | 7  |
| 6.1.2 Option B: Drill mounting . . . . .                             | 8  |
| 6.2 Mounting the monitor arms . . . . .                              | 10 |
| 6.3 Mounting on monitors . . . . .                                   | 11 |
| 6.3.1 Mounting the VESA plates on the back of the monitors . . . . . | 12 |
| 6.4 Mounting the monitors on the monitor mount . . . . .             | 13 |
| 6.5 Cable management . . . . .                                       | 14 |
| 7. Adjustment & maintenance . . . . .                                | 15 |
| 8. Setting options . . . . .   | 15 |
| 8.1 Tilt adjustment . . . . .  | 16 |
| 8.2 Height adjustment along the rod . . . . .                        | 16 |
| 8.3 Rotation setting . . . . .                                       | 16 |
| 9. Technical data . . . . .  | 17 |
| 10. Warranty disclaimer . . . . .                                    | 18 |
| 11. Service and support . . . . .                                    | 18 |
| 12. Warranty conditions . . . . .                                    | 18 |



---

## **GB** Operating Instructions

Thank you for choosing a Hama product.

Take your time and read the following instructions and information completely. Please keep these instructions in a safe place for future reference. If you sell the device, pass on the illustrated quick start guide and the safety instructions in printed form to the new owner.

### **1. Explanation of warning symbols and notes**

#### **Warning**



This symbol is used to indicate safety instructions or to draw your attention to specific hazards and risks.

#### **Note**












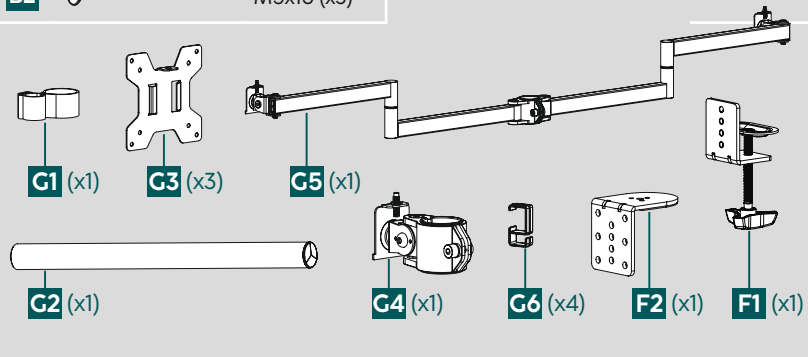
This symbol is used to indicate additional information or important notes.

## 2. Package contents

- Monitor Arm
- Mounting kit
- Cable manager
- Safety instructions, illustrated quick start guide

### Mounting kit

|           |   |             |           |   |           |
|-----------|---|-------------|-----------|---|-----------|
| <b>A1</b> |  | M4x12 (x12) | <b>B3</b> |  | M6 (x3)   |
| <b>A2</b> |  | M4x30 (x12) | <b>C1</b> |  | (x1)      |
| <b>A3</b> |  | (x12)       | <b>D1</b> |  | 3 mm (x1) |
| <b>B1</b> |  | M8x10 (x2)  | <b>E1</b> |  | 5 mm (x1) |
| <b>B2</b> |  | M5x16 (x3)  |           |   |           |



### Note

Please check the mounting kit for completeness before installing the mount and ensure that there are no faulty or damaged parts.

## 3. Additionally required tools



### Note

Never install the mount alone. Seek assistance and help!



## 4. Safety instructions

### Warning



- Given the multitude of terminal devices available on the market, the supplied mounting kit is unable to cover every option.
- The screws for attaching the terminal device to the product may occasionally be too long.
- Read the operating instructions for your device before attempting to mount it. The instructions provide information about the type and dimensions of suitable fastening materials.
- If the supplied mounting kit does not contain suitable fastening materials for mounting the terminal device, purchase these from a specialised dealer.
- Never apply force during mounting. This can damage your terminal device or the product.
- If in doubt, have the mounting of the product done by a qualified technician - do not attempt to install it yourself!

### Note - Commercial use



- If the device is used commercially, increased duty of care requirements apply.
  - Therefore, observe the accident prevention regulations of the Association of Professional Associations for Electrical Installations and Equipment and all other legal regulations applicable to the respective trade and/or place of use, as well as all accident prevention regulations of the relevant professional associations and accident insurers!
  - The mounting of the mount must be done by trained personnel or by a special technician, especially when installed in schools, educational institutions, hobby/self-service workshops or other publicly accessible institutions.
  - Have trained personnel carry out regular inspections to ensure that the product is securely installed, properly functioning and in acceptable condition (we recommend inspections at least quarterly, or more frequently if required for the particular location of use) and then document these inspections.
- 
- Once you have mounted the product and the attached load, check that they are sufficiently secure and safe to use.
  - You should repeat this check at regular intervals (at least every three months).
  - Make sure that the product is loaded symmetrically.
  - Ensure that the product does not exceed its maximum permitted carrying capacity and that no load exceeding the maximum permitted dimensions is attached.
  - In the event of damage to the product, remove the attached load and stop using the product.
  - Mount the product only on tabletops with a sufficient load-bearing capacity and stability for the product and the device attached to it.
  - Make sure that the thickness of the table top corresponds to the specifications given in the enclosed illustrated instructions or the detailed instructions available online.
  - Do not attach any additional objects to the product.
  - Keep the packaging material out of the reach of children due to the risk of suffocation.
  - Dispose of packaging material immediately in accordance with the locally applicable regulations.
  - Note that the product can cause pressure marks on the surface of the table. This depends on the weight loading and on the stability of the surface at the place of installation.

## 5. Application and specifications

- The product is intended only for use inside buildings.
- Use the product only for the intended purpose.



---

## 6. Preparation and mounting

### Note



- Never install the mount alone. Seek assistance and help!
  - Different terminal devices have different connections for cabling and other devices. Before commencing the installation, check whether the necessary connections can still be reached after mounting.
  - Depending on the product and mounting method, you may not need all parts of the mounting kit. It is therefore possible that unneeded screws and other small parts will be left over even after correct mounting. Keep these in a safe place together with the instructions for use for later reference (sale of the product, moving house).
- Observe the other warnings and safety instructions.
- Proceed step-for-step in accordance with the illustrated installation instructions.

### Note



- Given the multitude of terminal devices structures available on the market, we cannot describe all possible mounting versions here.
- Ensure that the mount is straight and level on the back of the monitor before tightening the screws.
- Use the enclosed spacers to level out any unevenness in the monitor.
- Ensure that all screws have the proper length and can be mounted until they are hand-tight.

### Note



- This monitor mount can be attached to the table in two ways:
- **Option A:** Clamp mounting (tabletop thickness 10 - 85 mm)
- **Option B:** Drill mounting (tabletop thickness 10 - 80 mm)

### Warning

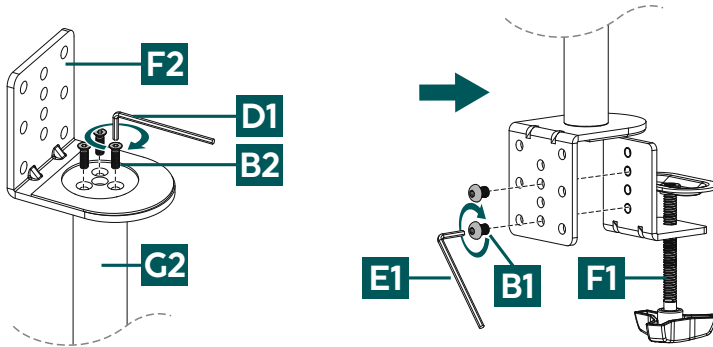


- Make sure that the table has the appropriate strength and stability for the type of installation.

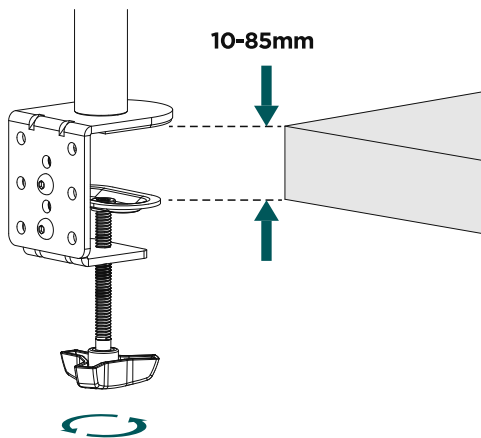


## 6.1 Mounting the attachment to the table

### 6.1.1 Option A: Clamp mounting

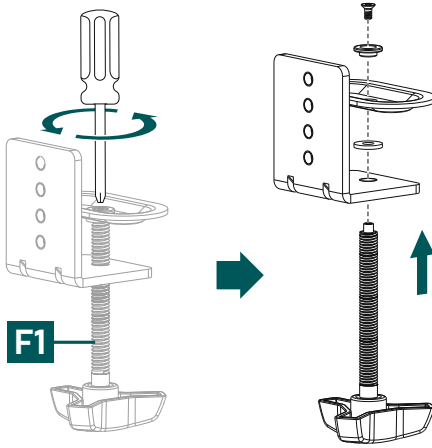


- Attach the first part of the clamping foot [F2] to the monitor column [G2] using the screws [B2] and the smaller Allen key [D1].
- Then screw the second part of the clamping foot [F1] from the inside with the screws [B1] using the larger Allen key [E1] so that both parts are securely connected.

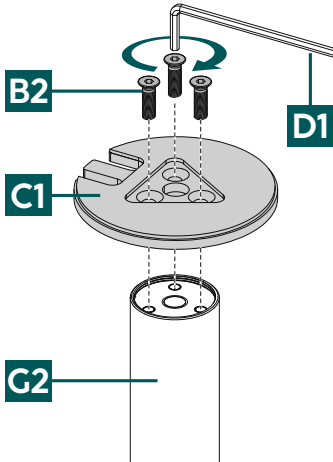


- In the next step, open the clamp [F1] and place the clamping foot at the bottom at the desired position on the edge of the table.
- Make sure that the mount is flush with the edge of the table.
- Tighten the clamping screw on the underside until the mount is securely in place.

## 6.1.2 Option B: Drill mounting



- First loosen the screw and clamping plate of the clamp [F1]. Use a screwdriver for this.



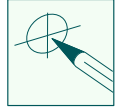
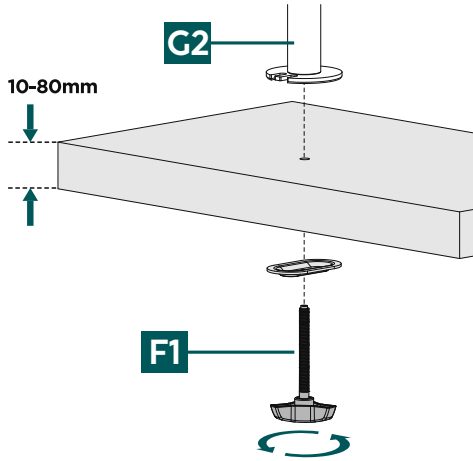
- Now place the connecting piece [C1] on the lower end of the monitor column [G2] so that the holes align.
- Insert the three screws [B2] through the holes in the connecting piece [C1] and tighten using the smaller Allen key [D1].



### Note

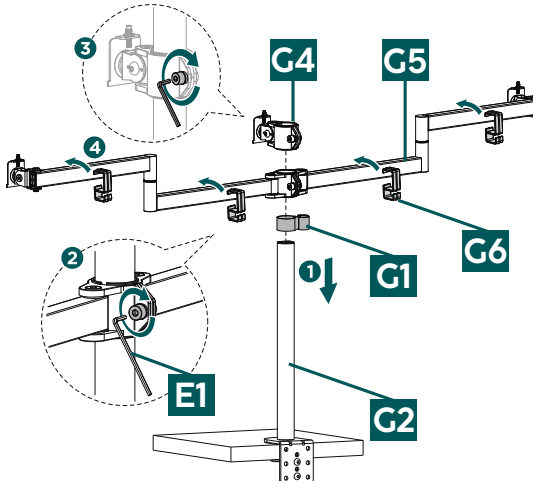


- You will need a drill with a 10 mm drill bit to attach the monitor mount. Make sure that the drill bit is suitable for the material of your table top and only drill through table tops with a thickness of 10 to 80 mm.



- Use the clamping plate of the clamp [F1] as a template and, if necessary, check the dimensions to determine the exact position for the drill hole. Then mark the desired position on your table top before drilling the hole.
- Attach the clamping plate to the underside of the tabletop using the clamping screw.
- Place the monitor column [G2] from above on the table on the clamping screw and hand-tighten the clamping screw from the underside so that the column is secure.

## 6.2 Mounting the monitor arms

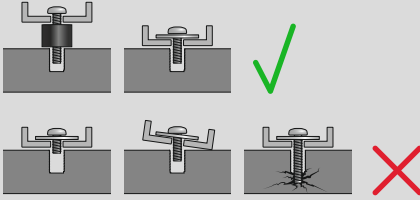


- 1 Attach the cable manager [G1] by clipping it to the mounting rod [G2].
- 2 Position the monitor arm [G5] at the desired height on the rod [G2]. Then secure it by tightening the screw on the back using the larger Allen key [E1].
- 3 Repeat this procedure for the monitor mount [G4].
- 4 Attach the supplied cable clips [G6] to the monitor arms by aligning the clips in the desired position and then hooking them in.



## 6.3 Mounting on monitors

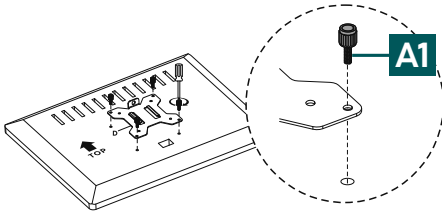
### Note



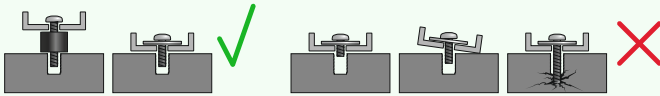
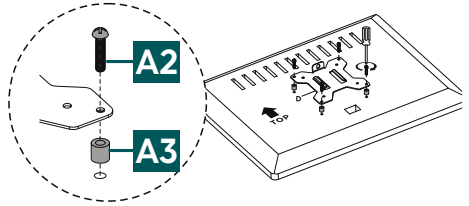
- Given the multitude of terminal devices available on the market, we cannot describe all possible mounting options here.
- Please ensure that the bracket lays flat and evenly on the back of the monitor.
- Use the enclosed spacer to even out any unevenness on the back of the monitor.
- Ensure that all screws have the proper length and can be mounted until they are hand-tight.



### 6.3.1 Mounting the VESA plates on the back of the monitors



or

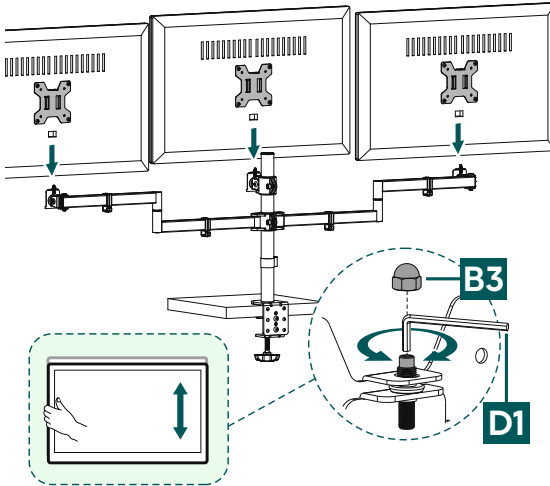


- Mount the VESA plates [G3] on the back of your monitors. Use a screwdriver to do this.
- Note the combination of screw [A1] and washer [A3] listed above. If necessary, use the combination of screw [A2] and spacer [A3] to level out any unevenness in the monitor.



## 6.4 Mounting the monitors on the monitor mount


Get support and help from other people for the following assembly step.



### Note

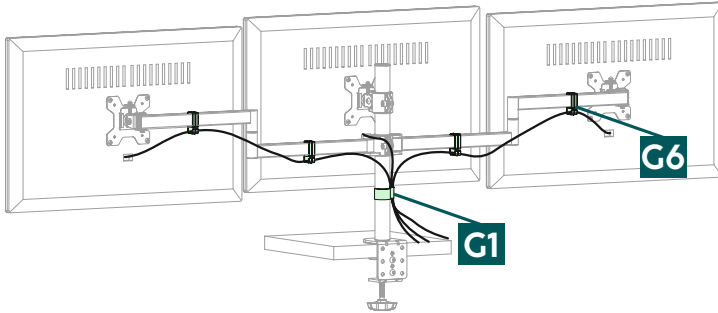
- The height of the monitors can be adjusted using the grub screw to ensure that all monitors are aligned to the same height.
- Hang the monitors with the mounted VESA plate [G3] in the monitor mount. Then use the small Allen key [D1] for the grub screw to adjust the height of the monitors. Finally, secure the grub screw using the cap nut [B3].





---

## 6.5 Cable management



- Attach the supplied cable clips [G6] to the support arm by aligning the clips in the desired position and then hooking them in (as described at **6.2 Mounting the monitor arms**).
- After mounting the monitor, use the previously mounted cable manager [G1] and the cable clips [G6] to organise the cables.

## 7. Adjustment & maintenance

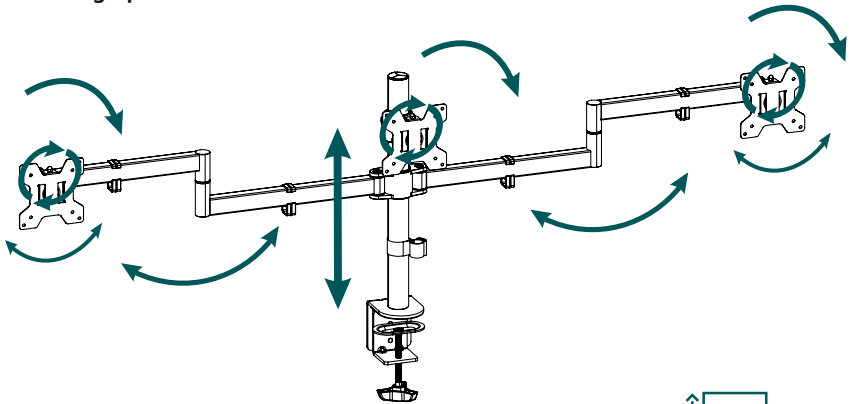
### Note

- Never adjust the mount alone. Seek assistance and help!
- When adjusting, ensure that the product is not loaded asymmetrically. The maximum permissible load capacity must not be exceeded.

### Note - tiltable / full-motion mounts

- To permanently set the tilt angle, loosen the attachment screws at the side, set the desired tilt angle and then tighten the screws again.
  - In order to be able to flexibly adjust the tilt angle, turn the screws hand-tight only. In this way, the screen can be adjusted at any time.
- No screws need to be loosened for the sideways movement.
  - Only swivel, tilt and rotate the mounted monitors within the designated area.
  - Once you have mounted the product and the attached load, check that they are sufficiently secure and safe to use.
  - You should repeat this check at regular intervals (at least every three months).
  - Only clean this product using a lint-free, slightly damp cloth and do not use any harsh cleaners.

## 8. Setting options



**180°**  
swivel



**-/+45°**  
tilt



**360°**  
rotation

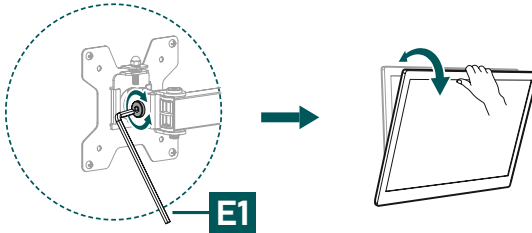


**Steplessly**  
height-adjustable



## 8.1 Tilt adjustment

- Use the larger Allen key [E1] to open the side fastening screws of the joints in order to set the desired tilt or horizontal alignment.
- Then tighten the screws again. If you want to adjust the tilt flexibly, only tighten the screws hand-tight so that the screen can be readjusted at any time.



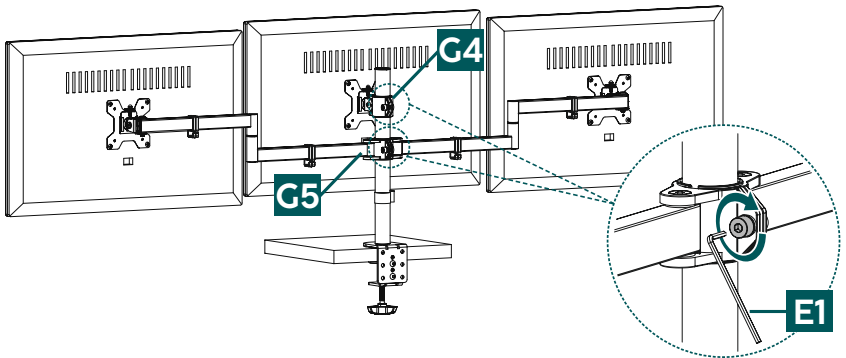
## 8.2 Height adjustment along the rod

### Note

- Never adjust the mount alone. Seek assistance and help!

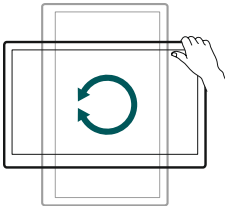


- To adjust the height of the monitor arm [G5] and monitor mount [G4], loosen the screw with the hexagonal side of the larger Allen key [E1] and move the arm or mount up or down accordingly.



## 8.3 Rotation setting

- No screws need to be loosened for the rotation adjustment, simply align the monitor mounts in portrait and landscape format as required.
- Ensure that the cables are not pinched and that there is sufficient space for movement.





---

## 9. Technical data

|                  |   |
|------------------|---|
| Maximum load:    | 7 kg  |
| Screen diagonal: | 33.0 - 69.0 cm (US: 13" - 27")                        |
| Rotation:        | 360°  |
| Tilt:            | -/+ 45° (device-dependent)                            |
| Swivel range:    | 180°  |
| Mount:           | Compliant with VESA standard:<br>75 x 75<br>100 x 100 |



---

## 10. Warranty disclaimer

Hama GmbH & Co KG assumes no liability and provides no warranty for damage resulting from improper installation/mounting, improper use of the product or from failure to observe the operating instructions and/or safety notes.

## 11. Service and support

Please contact Hama Product Consulting if you have any questions about this product.

Hotline: +49 9091 502-0 (German/English)

Further support information can be found here: [www.hama.com](http://www.hama.com)

## 12. Warranty conditions

For this product, HAMA GmbH & Co KG grants you an extended manufacturer's warranty for freedom from defects, usability, workmanship and the durability of the materials used for a period of 10 years. Excluded from the guarantee is the compatibility of the product with future standards of further developed hardware.

Within the specified period, Hama GmbH & Co KG will remedy a justified warranty claim at its own discretion, free of charge, either by repair or replacement.

The warranty period begins on the date of purchase of this product and is valid throughout the EU.

The warranty granted is in addition to and does not affect your statutory rights. Damage caused by improper use, normal wear and tear, exposure to chemicals or force majeure, as well as tampering or repairs by you or third parties, are excluded from the warranty.

Furthermore, accessories that are not part of the basic equipment of the product (promotional parts) are excluded from the warranty.

In the event of a warranty claim, please contact us at Hama GmbH & Co KG, Dresdner Str. 9, 86653 Monheim, Germany, enclosing proof of purchase. You are also welcome to contact us at [www.hama.de](http://www.hama.de) or by phone on +49 (0)9091/502-0.