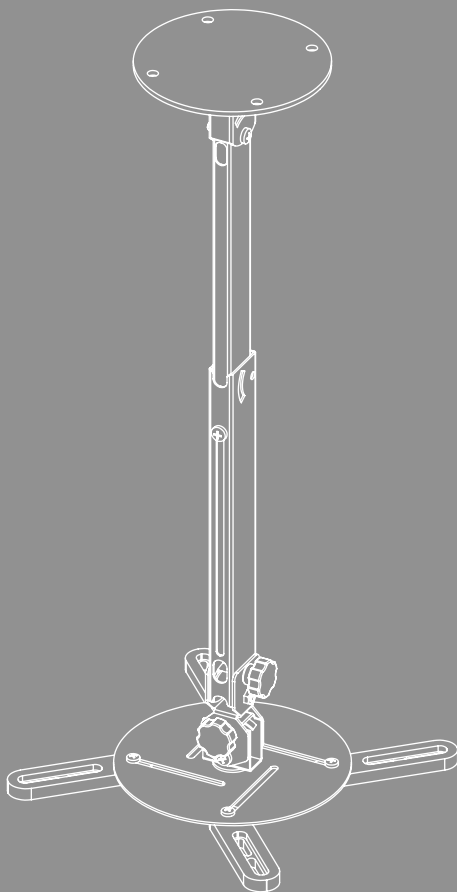


PROJECTOR BRACKET





Contents

1. Explanation of warning symbols and notes	3
2. Package contents	4
3. Additionally required tools	4
4. Safety instructions	5
5. Application and specifications	5
6. Preparation and assembly	6
6.1 Wall/ceiling installation	7
6.1.1 Preparing the intended mounting surface	7
6.2 Assembly preparation	8
6.2.1 Assembling the mounting plate	8
6.3 Mounting the bracket arms on the projector bracket	9
6.3.1 Attaching the mounting plate to the bracket	10
6.4 Mounting with telescopic arms	11
6.4.1 Attaching the telescopic arms to the bracket (ceiling mounting)	11
6.4.2 Attaching the projector to the telescopic arm (ceiling mounting)	11
6.4.3 Attaching the telescopic arms to the bracket (wall mounting)	12
6.4.4 Attaching the mounting arms to the telescopic arm (wall mounting)	12
7. Adjustment & maintenance	13
8. Setting options	13
9. Technical data	14
10. Warranty disclaimer	15
11. Service and support	15
12. Warranty conditions	15



GB Operating Instructions

Thank you for choosing a Hama product.

Take your time and read the following instructions and information completely. Please keep these instructions in a safe place for future reference. If you sell the device, pass on the illustrated quick start guide and the safety instructions in printed form to the new owner.

1. Explanation of warning symbols and notes

Warning



This symbol is used to indicate safety instructions or to draw your attention to specific hazards and risks.

Note












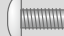
This symbol is used to indicate additional information or important notes.



2. Package contents

- Projector bracket
- Mounting kit
- Safety instructions, illustrated quick start guide

Mounting kit

A1 	8x65 (x4)	C3 	M8x35 (x2)
A2 	10x60 (x4)	D1 	M6x14 (x6)
B1 	M6x16 (x1)	D2 	M6 (x5)
B2 	M8 (x1)	E1 	M3x14 (x4)
B3 	M6 (x4)	E2 	M4x14 (x4)
C1 	M6 (x2)	E3 	M5x14 (x4)
C2 	M6x35 (x3)	E4 	M4 (x4)

* M8x50 + Ø 8x5 = M8x45

Note

Please check the mounting kit for completeness before installing the bracket and ensure that there are no faulty or damaged parts.

3. Additionally required tools



Note

Never install the bracket alone. Seek assistance and help!



4. Safety instructions

Warning



- Given the multitude of terminal devices and wall structures available on the market, the supplied mounting kit is unable to cover every option.
 - It occasionally happens that the screws for attaching the device to the bracket are too long.
 - Please note that the supplied wall plugs are for use with solid, hollow and board construction materials only.
 - Read the operating instructions for your terminal device before attempting to mount it. The instructions provide information about the type and measurements of suitable fastening materials.
 - If the supplied mounting kit does not contain suitable fastening materials for mounting the terminal device, purchase these from a specialised dealer.
 - Never apply force during assembly. This can damage your device or the bracket.
 - If in doubt, have this product installed by a qualified technician - do not attempt to install it yourself!
-
- Do not mount the product above locations where persons might sit or stand.
 - Once you have mounted the product and the attached load, check that they are sufficiently secure and safe to use.
 - You should repeat this check at regular intervals (at least every three months).
 - Ensure that the product does not exceed its maximum permitted carrying capacity and that no load exceeding the maximum permitted dimensions is attached.
 - Make sure that the product is loaded symmetrically.
 - Maintain the necessary safety clearance around the attached load (depending on the model).
 - In the event of damage to the product, remove the attached load and stop using the product.
 - Do not attach any additional objects to the product.

5. Application and specifications

- The bracket is intended only for use inside buildings.
- Use the bracket only for the intended purpose.



6. Preparation and assembly

Note



- Never install the bracket alone. Seek assistance and help!
- Different end devices have different connections for cabling and other devices. Before commencing the installation, check whether the necessary connections can still be reached after mounting.
- Depending on the product and mounting method, you may not need all parts of the mounting kit. It is therefore possible that unneeded screws and other small parts will be left over even after correct mounting. Keep these in a safe place together with these operating instructions for use for later reference (sale of the product, moving house, relocation of the bracket, new TV, etc.).

Warning



- Be aware that the brackets are only suitable for wall mounting.
- Before installation, check that the wall you have chosen is suitable for the weight to be mounted. Also make sure that there are no electric, water, gas or other lines running through the wall at the mounting site.

Note - Fischer plugs



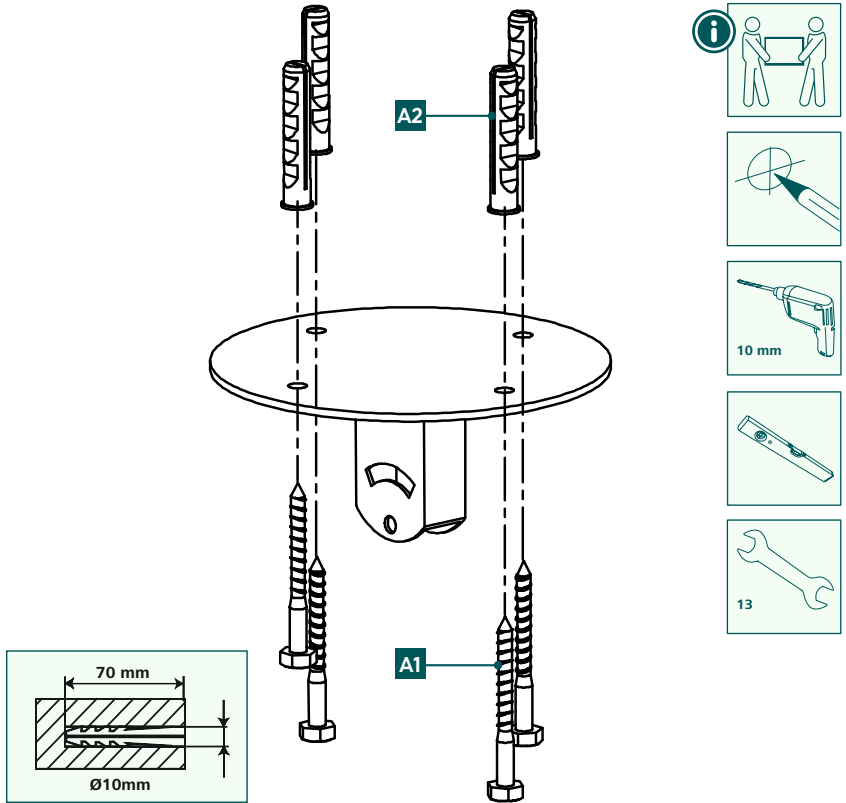
The Fischer plugs supplied are approved for the following building materials:

- Concrete
- Plasterboard and gypsum fibreboard
- Vertical perforated brick
- Lightweight concrete hollow block
- Hollow brick and concrete ceilings
- Perforated sand-lime brick
- Solid sand-lime brick
- Natural stone
- Aerated concrete
- Chipboard
- Solid plaster boards
- Lightweight concrete solid block
- Solid brick

6.1 Wall/ceiling installation

6.1.1 Preparing the intended mounting surface

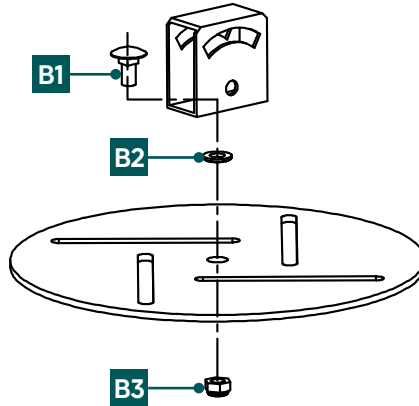
Get support and help from other people for the following assembly steps.



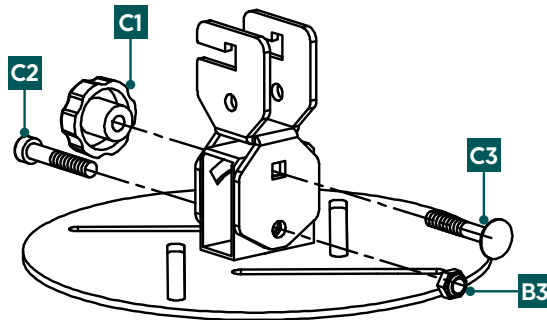
- First use the bracket as a template and re-measure if necessary to ensure that the position is correct. Use a spirit level to check the horizontal and vertical alignment of the bracket on the ceiling. Now mark the holes on the ceiling.
- To attach the projector bracket to the ceiling, you need a drill and a drilling attachment with a diameter of 10 mm. Make sure that the drilling attachment is suitable for the intended ceiling. The depth of the hole should be 70 mm.
- To ensure a secure hold, vacuum out the drill holes with a vacuum nozzle so that the drill hole is free of drill dust. Now insert the plug [A2] into the drill hole so that it is flush with the hole.
- Attach the projector bracket to the wall/ceiling as shown above using the enclosed mounting material ([A2] plug, [A1] 8x65 mm screw).

6.2 Assembly preparation

6.2.1 Assembling the mounting plate

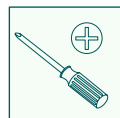
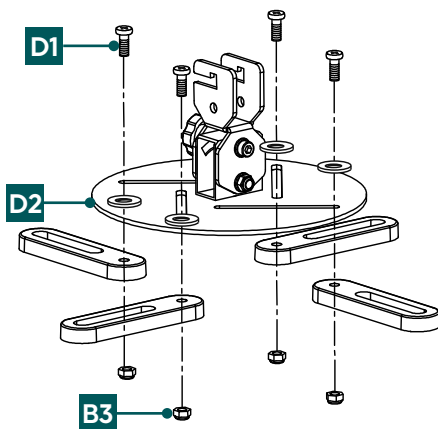


- Fasten the tilt joint to the mounting plate using the screw [B1], washer [B2] and nut [B3] as shown. During installation, the fixing screw must be secured so that the bracket can be rotated.



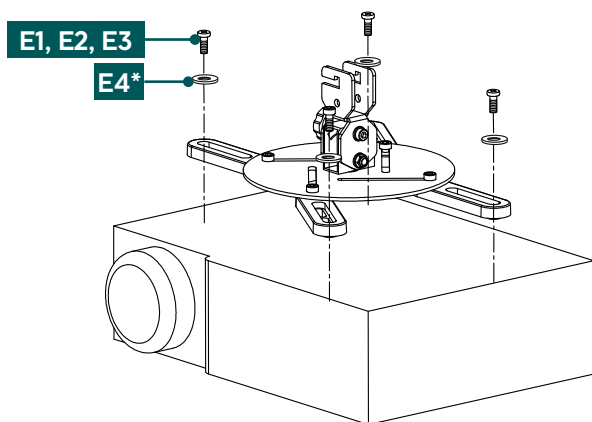
- Attach the retaining hook to the tilt joint as shown above.
- First fit the screw [C2] and the screw nut [B3] in the lower (round) opening.
- Then secure the handle screw* [C1] with the screw [C3] in the upper (square) opening.

**During installation, the fixing screw must be secured so that the bracket can be rotated.*



- Attach the bracket arms to the bracket plate by fastening them as shown using the screws [D1], washers [D2] and nuts [B3].
- Do not tighten the screws so that the bracket arms can be customised to the respective projector in the following step.

6.3 Mounting the bracket arms on the projector bracket

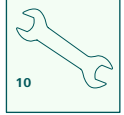
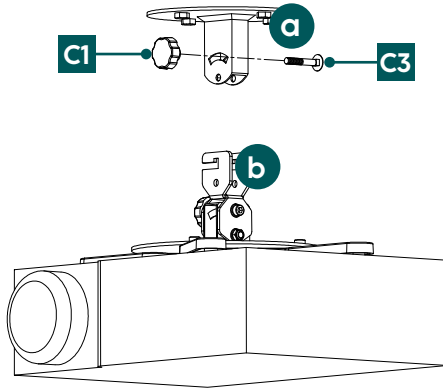


*e4 only required for screws E1 and E2

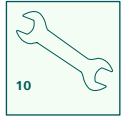
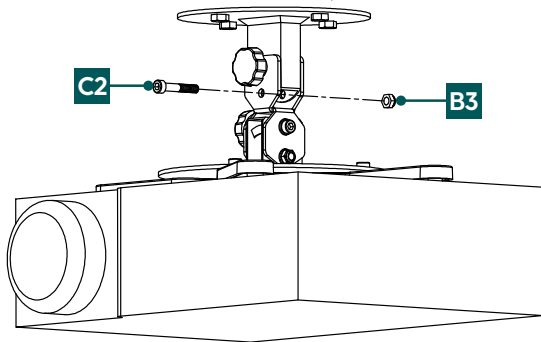
- Fit the mounting plate to the projector. Note the combination of the screw and washer as listed above for your projector.
- Now tighten all [D] and [E] screws on the mounting plate.



6.3.1 Attaching the mounting plate to the bracket



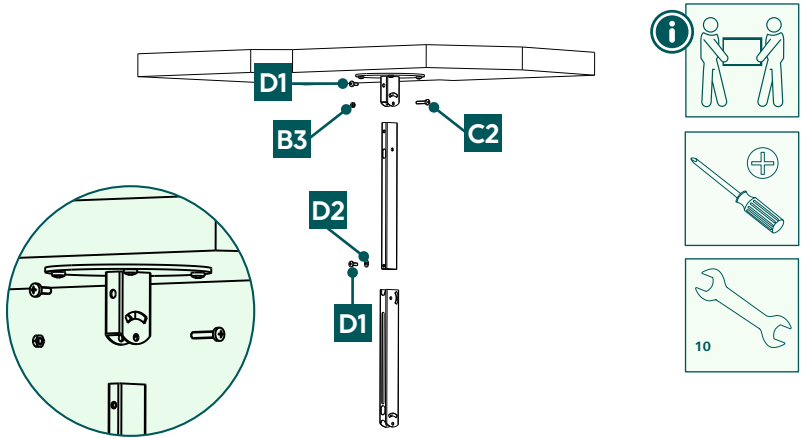
- a) Fasten the handle screw [C1] in the upper opening using the screw [C3].
- b) Attach the hook of the mounting plate to the screw [C3].



- Then fix the bracket to the lower screw hole using the screw [C2] and the nut [B3].

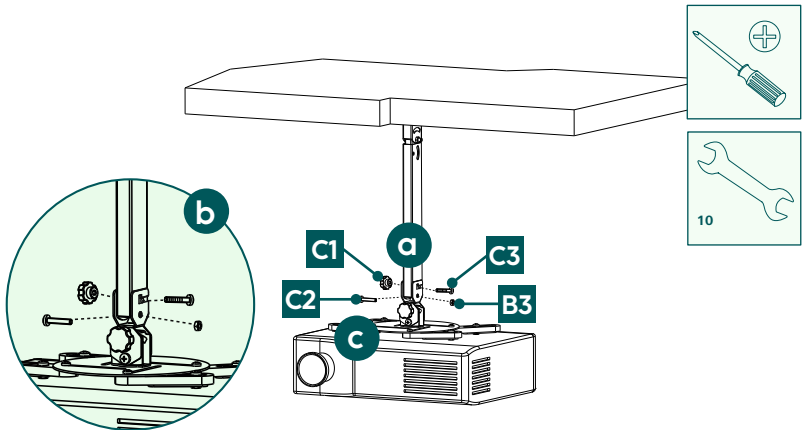
6.4 Mounting with telescopic arms

6.4.1 Attaching the telescopic arms to the bracket (ceiling mounting)



- Fit the rod (without a continuous slotted hole on the side) to the bracket as shown above. Use the screw [D1] and screw [C2] with nut [B3]. In the next step, attach the second part of the telescopic rod (continuous slotted hole on the side) with the screw [D1] and the washer [D2].

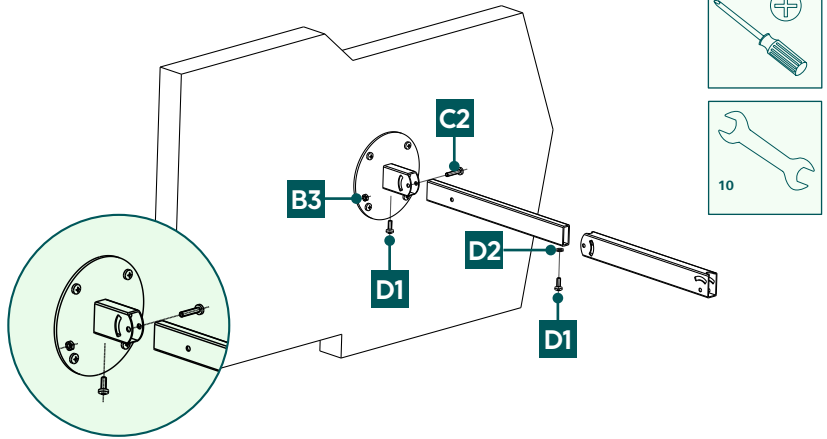
6.4.2 Attaching the projector to the telescopic arm (ceiling mounting)



- Fasten the handle screw [C1] in the upper opening using the screw [C3].
- Now hang the hook of the mounting plate on the screw [C3].
- Then fix the bracket to the lower screw hole using the screw [C2] and nut [B3].

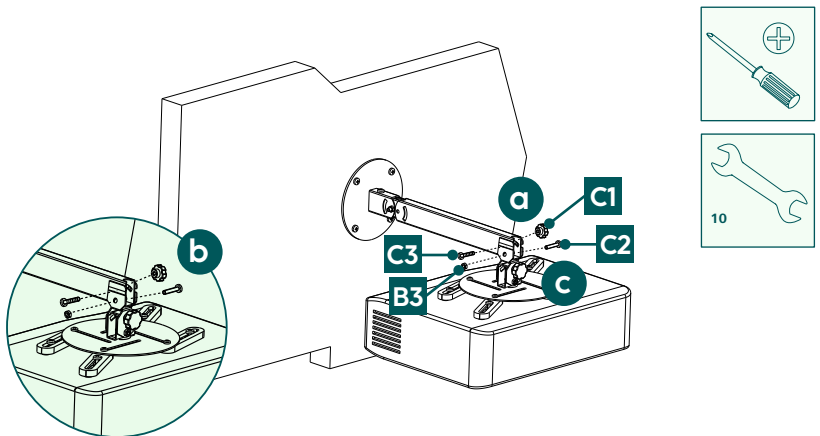


6.4.3 Attaching the telescopic arms to the bracket (wall mounting)



- Fit the rod (without a continuous slotted hole on the side) to the bracket as shown above. To do this, use the screw [D1] and the screw [C2] with the nut [B3]. Now attach the second part of the telescopic rod (with a continuous slotted hole on the side) using the screw [D1] and washer [D2].

6.4.4 Attaching the mounting arms to the telescopic arm (wall mounting)



- Fasten the handle screw [C1] in the upper opening using the screw [C3].
- Now hang the hook of the mounting plate on the screw [C3].
- Then fix the bracket to the lower screw hole using the screw [C2] and nut [B3].

7. Adjustment & maintenance

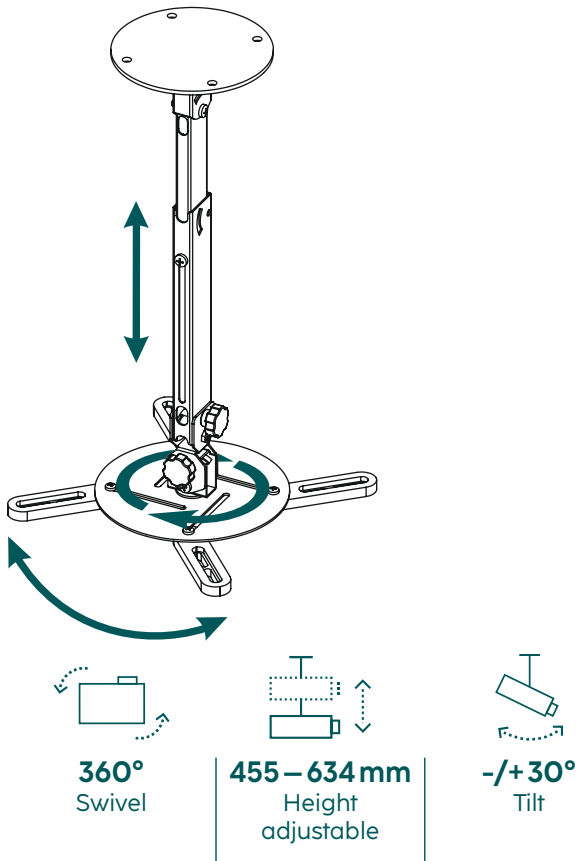
Note

Never adjust the bracket alone. Seek assistance and help!

Note - tiltable / full-motion brackets

- Ensure that no electrical cables are crushed or damaged during installation or adjustment.
- During adjustment, ensure that the product is loaded symmetrically and that the maximum permitted carrying capacity is not exceeded.
- Check the strength and operational safety of the bracket and the load attached to it at regular intervals (at least quarterly).
- Clean only with water or conventional household cleaners.

8. Setting options



- No screws need to be loosened for rotation.
- To adjust the tilt, slightly open the handle screw, set the desired tilt and securely tighten the screw again.
- To adjust the height, slightly open the screw [D1] on the telescopic pole, set the desired height and securely tighten the screw again.



9. Technical data

Maximum load:	15 kg
Distance between threaded holes:	up to 320 mm
Ceiling clearance:	13.0 – 63.5cm
Rotation range:	up to 360°
Projector plate tilt:	-/+ 30° (device-dependent)
Support arm tilt:	-/+ 90° (device-dependent)



10. Warranty disclaimer

Hama GmbH & Co KG assumes no liability and provides no warranty for damage resulting from improper installation/mounting, improper use of the product or from failure to observe the operating instructions and/or safety notes.

11. Service and support

Please contact Hama Product Consulting if you have any questions about this product.

Hotline: +49 9091 502-0 (German/English)

Further support information can be found here: www.hama.com

12. Warranty conditions

For this product, HAMA GmbH & Co KG grants you an extended manufacturer's warranty for freedom from defects, usability, workmanship and the durability of the materials used for a period of 10 years. Excluded from the guarantee is the compatibility of the product with future standards of further developed hardware.

Within the specified period, Hama GmbH & Co KG will remedy a justified warranty claim at its own discretion, free of charge, either by repair or replacement.

The warranty period begins on the date of purchase of this product and is valid throughout the EU.

The warranty granted is in addition to and does not affect your statutory rights. Damage caused by improper use, normal wear and tear, exposure to chemicals or force majeure, as well as tampering or repairs by you or third parties, are excluded from the warranty.

Furthermore, accessories that are not part of the basic equipment of the product (promotional parts) are excluded from the warranty.

In the event of a warranty claim, please contact us at Hama GmbH & Co KG, Dresdner Str. 9, 86653 Monheim, Germany, enclosing proof of purchase. You are also welcome to contact us at www.hama.de or by phone on +49 (0)9091/502-0.