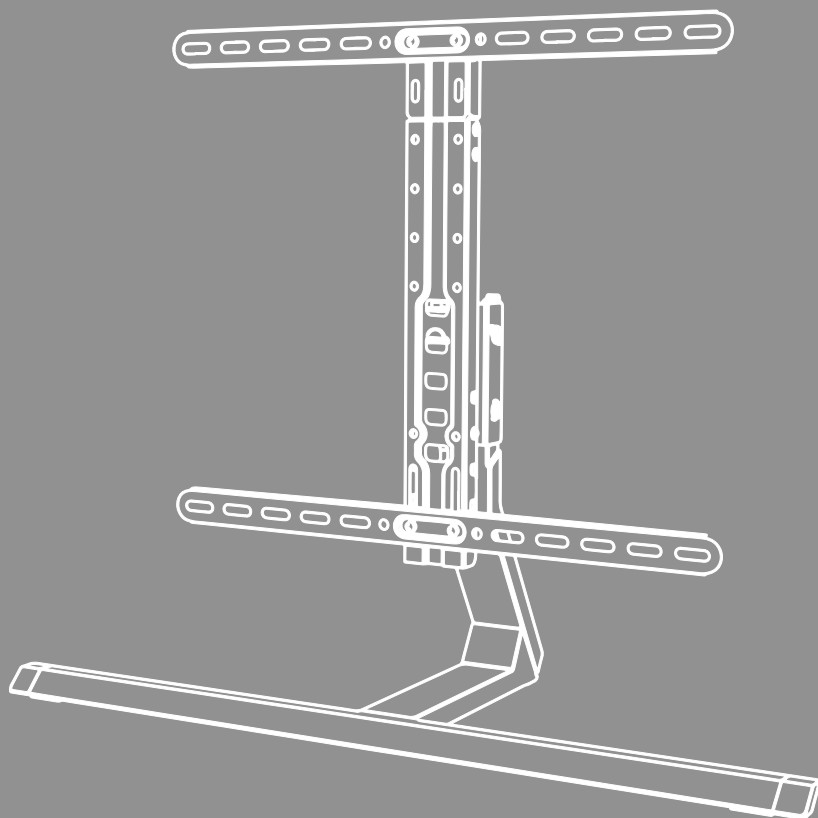


TV STAND





Contents

1. Explanation of warning symbols and notes	3
2. Package contents	4
3. Additionally required tools	4
4. Safety instructions	5
5. Application and specifications	5
6. Preparation and assembly	6
6.1 Assembly preparation	7
6.1.1 Attaching the covers to the strut	7
6.1.2 Mounting the strut on the stand	7
6.1.3 Mounting the support leg on the stand	8
6.2 Assembling the VESA plate	9
6.3 Mounting on the TV set	10
6.3.1 Mount the VESA arms on the back of the TV set	11
6.4 Mounting the TV on the TV stand	12
7. Cable management	12
8. Secure TV with fastening rope	13
9. Adjustment & maintenance	15
10. Setting options	15
11. Technical data	16
12. Warranty disclaimer	17
13. Service and support	17
14. Warranty conditions	17



GB Operating Instructions

Thank you for choosing a Hama product.

Take your time and read the following instructions and information completely. Please keep these instructions in a safe place for future reference. If you sell the device, pass on the illustrated quick start guide and the safety instructions in printed form to the new owner.

1. Explanation of warning symbols and notes

Warning



This symbol is used to indicate safety instructions or to draw your attention to specific hazards and risks.

Note

















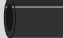
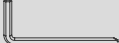



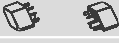




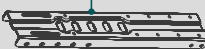
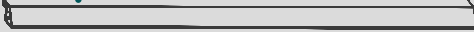



This symbol is used to indicate additional information or important notes.



2. Package contents

- TV bracket
- Mounting kit
- Safety instructions, illustrated quick start guide

Mounting kit					
A1		Ø7x35 (x4)	D1		M8x12 (x4)
A2		5x38 (x4)	D2		M8x20 (x4)
A3		(x2)	D3		M8x30 (x4)
A4		(x2)	D4		M8x50 (x4)
A5		(x1)	E1		(x3)
A6		(x2)	E2		(x4)
B1		M6/M8 (x4)	E3		(x10)
B2		M8x10 (x4)	E4		2x2 (x1)
B3		M8x20 (x4)	E5		4x4 (x1)
C1		M6x12 (x4)	E6		(x1)
C2		M6x20 (x4)	F1		(x1)

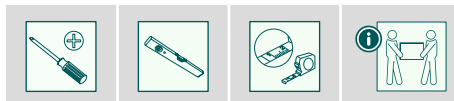
G1 x1		G2 x1		G3 x1	
G6 x1		G4 x1		G5 x2	
				G7 x1	

* M8x50 + Ø8x5 = M8x45

Note

Please check the mounting kit for completeness before installing the bracket and ensure that there are no faulty or damaged parts.

3. Additionally required tools



Note

Never install the bracket alone. Seek assistance and help!



4. Safety instructions

Warning



- Given the multitude of terminal devices and wall structures available on the market, the supplied mounting kit is unable to cover every option.
- It occasionally happens that the screws for attaching the device to the bracket are too long.
- Read the operating instructions for your terminal device before attempting to mount it. The instructions provide information about the type and measurements of suitable fastening materials.
- If the supplied mounting kit does not contain suitable fastening materials for mounting the terminal device, purchase these from a specialised dealer.
- Never apply force during assembly. This can damage your device or the holder.
- If in doubt, have this product installed by a qualified technician - do not attempt to install it yourself!
- Once you have mounted the product and the attached load, check that they are sufficiently secure and safe to use.
- You should repeat this check at regular intervals (at least every three months).
- Ensure that the product does not exceed its maximum permitted carrying capacity and that no load exceeding the maximum permitted dimensions is attached.
- Make sure that the product is loaded symmetrically.
- Maintain the necessary safety clearance around the attached load (depending on the model).
- In the event of damage to the product, remove the attached load and stop using the product.
- Do not attach any additional objects to the product.

5. Application and specifications

- The bracket is used for mounting flat screens in private, non-commercial households.
- The bracket is intended only for use inside buildings.
- Use the bracket only for the intended purpose.



6. Preparation and assembly

Note





- Never install the bracket alone. Seek assistance and help!
- Different end devices have different connections for cabling and other devices. Before commencing the installation, check whether the necessary connections can still be reached after mounting.
- Depending on the product and mounting method, you may not need all parts of the mounting kit. It is therefore possible that unneeded screws and other small parts will be left over even after correct mounting. Keep these in a safe place together with these operating instructions for use for later reference (sale of the product, moving house, relocation of the bracket, new TV, etc.).

Warning

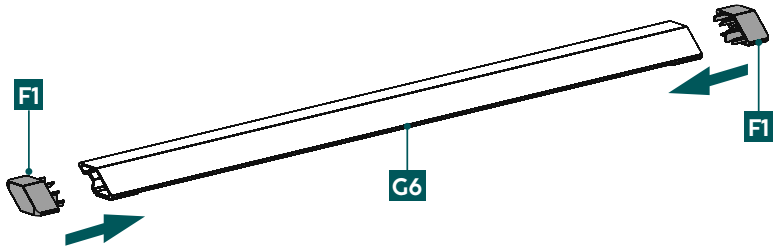


- Only set the product up on even, non-slip surfaces with a sufficient load-bearing capacity for the product and the device attached to it.
- Make sure that children do not use the product for climbing.
- Note that the castors of the product can cause pressure marks on the installation surface. This depends on the weight loading and on the stability of the surface at the place of installation.
- Please note that subsequent height adjustment is only possible by dismantling the suspension fitting.



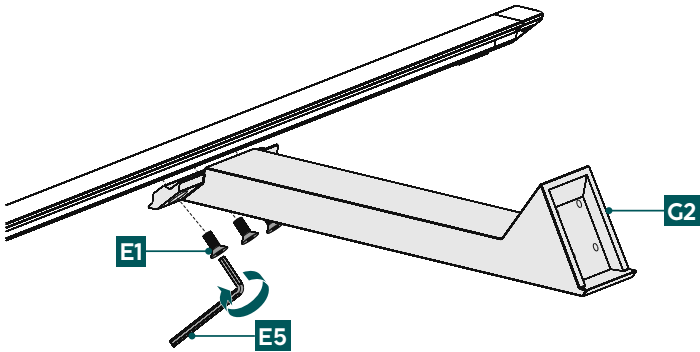
6.1 Assembly preparation

6.1.1 Attaching the covers to the strut



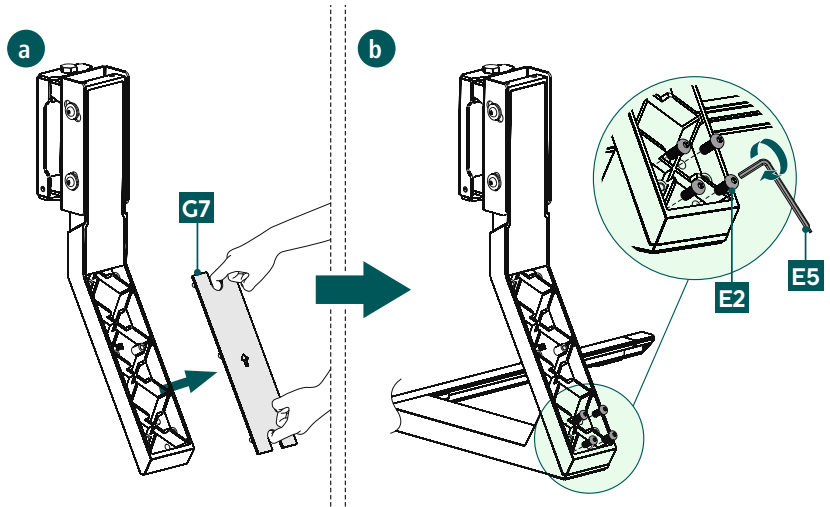
- Attach the covers [F1] to the sides of the strut [G6] as shown above.

6.1.2 Mounting the strut on the stand



- Connect the strut [G6] and the stand [G2] using the screws [E1]. Use the Allen key [E5] to do this.

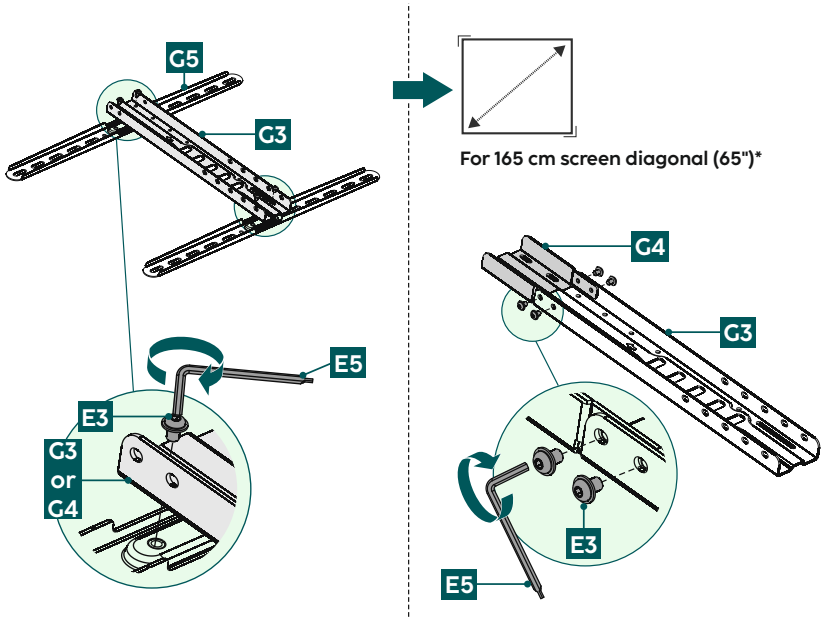
6.1.3 Mounting the support leg on the stand



a
Remove the cover [G7] from the support leg [G1] so that the screws can be fitted.

b + c
Fit the support leg to the bracket using the screws [E2] as shown above. Use the Allen key [E5] for this.

6.2 Assembling the VESA plate



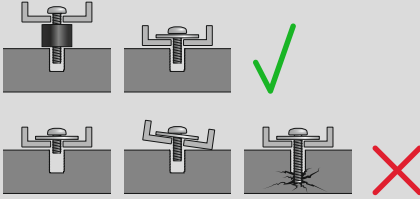
Mount the VESA arms [G5] either on the strut [G3] or on the adapter plate [G4] using the screws [E3] and the enclosed Allen key [E5], depending on the TV size.

* Please note that the adapter plate [G4] must be attached to the strut [G3] for televisions with a screen diagonal of 65 inches. Insert the adapter into the strut and then secure it with the screws [E3] and the enclosed Allen key [E5].



6.3 Mounting on the TV set

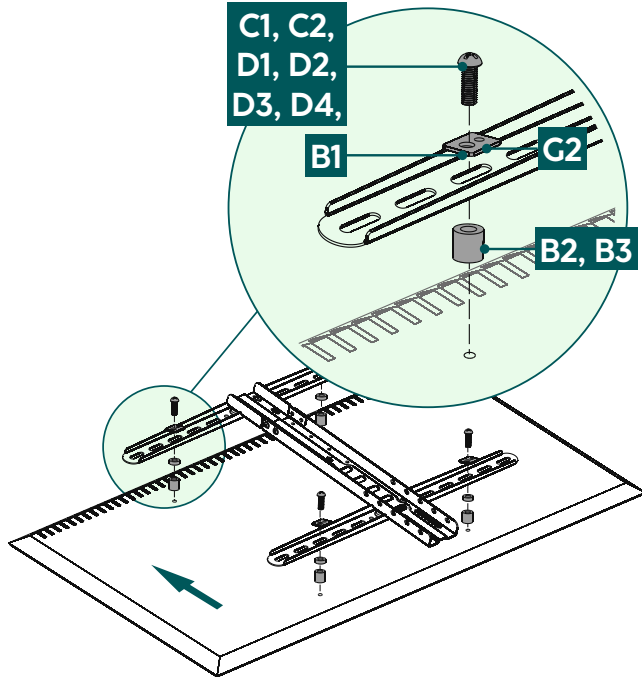
Note



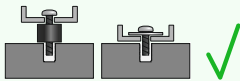
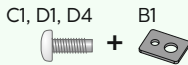
- Given the multitude of terminal devices structures available on the market, we cannot describe all possible mounting options here.
- Please ensure that the bracket lays flat and evenly on the back of the television.
- Use the enclosed spacer to even out any unevenness on the back of the television.
- Ensure that all screws have the proper length and can be mounted until they are hand-tight.



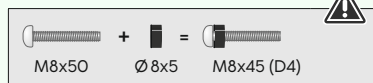
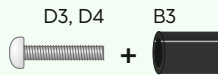
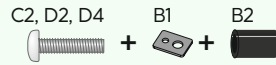
6.3.1 Mount the VESA arms on the back of the TV set



Flat TV back



Curved TV back

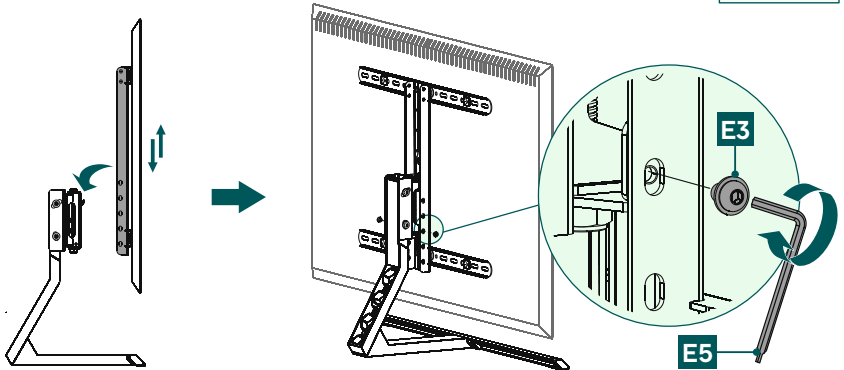
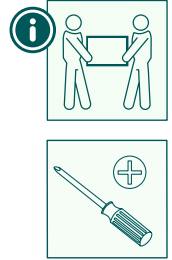


- Mount the VESA arms the back of your TV set.
- Use the fold-out VESA arms to mount the TV at the desired height.
- Ensure that the VESA arms are correctly aligned. The two hooks must point downwards.
- Note the combination of screw, washer and spacer listed above for your flat or curved TV.



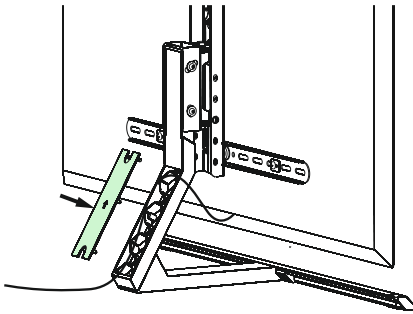
6.4 Mounting the TV on the TV stand

Get support and help from other people for the following assembly step.



- Hang the TV with the mounted VESA plate on the wall bracket at the desired height.
- Fix the TV to the stand using the screws [E3] as shown above. Use the Allen key [E5] for this.

7. Cable management



Lay the cables along the support leg as shown in the illustration. Then reattach the cover [G7] to the stand.

8. Secure TV with fastening rope



From a screen diagonal of 55 inches and an overall height* of more than 100 cm, the bracket must also be secured to the wall.

* measured from the lower edge of the base to the upper edge of the screen

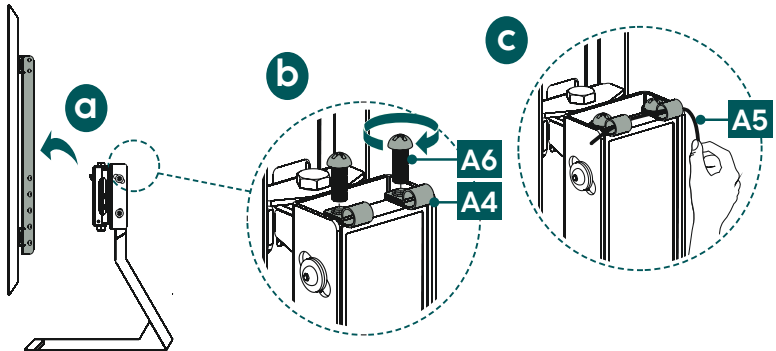


Warning



- Before installation, check that the wall you have chosen is suitable for the weight to be mounted. Also make sure that there are no electric, water, gas or other lines running through the wall at the mounting site.
- Please note that the supplied wall plugs are for use with concrete brick and solid brick walls only.
- If the wall on which the bracket is to be mounted is made of different material types and construction types to those specified, purchase suitable mounting materials from a specialised dealer.

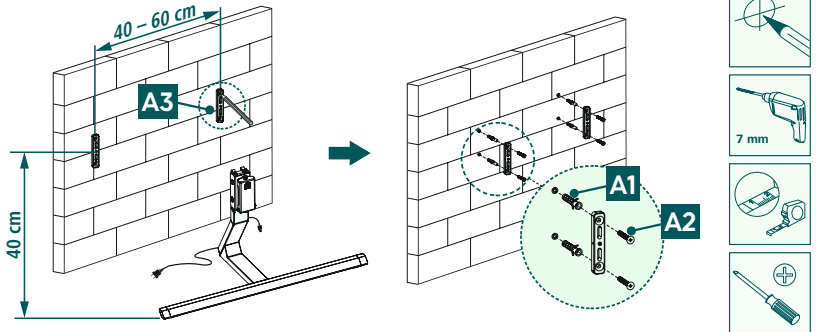
Step 1



- If the TV is already mounted on the bracket, remove the screen from the support leg before mounting the securing mechanism on the wall.
- Attach the cord holders [A4] to the support leg using the screws [A6].
- Feed the cord [A5] through the cord holders.

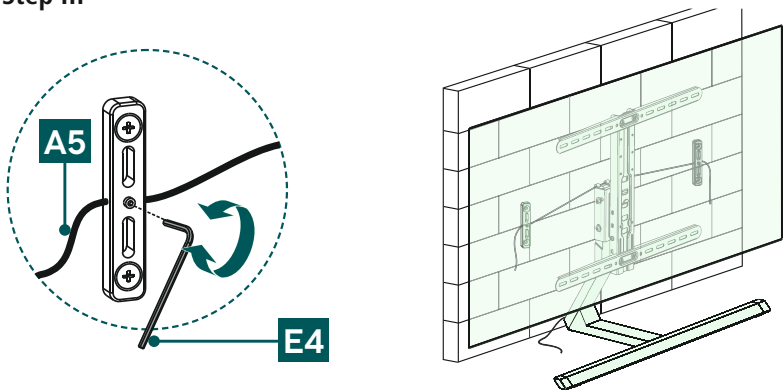


Step II



- First use the mounting pieces [A3] as a template and measure if necessary to ensure that the position is correct. Please note that the height from the mounting piece to the stand must be 40 cm and the distance between the two mounting pieces 40-60 cm. Now mark the holes on the wall.
- To attach the mounting pieces [A3] to the wall, you need a drill and a drilling attachment with a diameter of 7 mm. Make sure that the drilling attachment is suitable for the intended wall. To ensure a secure hold, vacuum out the drill holes with a vacuum nozzle so that the drill hole is free of drill dust. Now insert the plug [A1] into the drill hole so that it is flush with the hole. Attach the mounting pieces to the wall as shown above using the enclosed mounting material ([A1] plug and [A2] 5x38 mm screw).

Step III



Guide the cord [A5] through the two mounting pieces mounted on the wall. Ensure that the cord is taut and secure it using the Allen key [E4] as shown above.
Attention! If you want to use cable management, the cables must already be stowed in the stand before you tighten the cord.

9. Adjustment & maintenance

Note

Never adjust the bracket alone. Seek assistance and help!

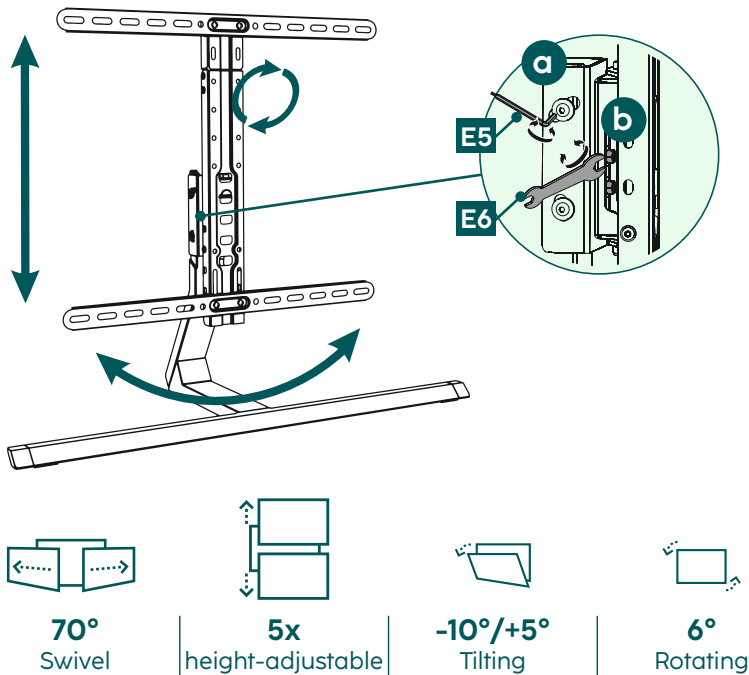


Note - tiltable / full-motion brackets

- Ensure that no electrical cables are crushed or damaged during installation or adjustment.
 - During adjustment, ensure that the product is loaded symmetrically and that the maximum permitted carrying capacity is not exceeded.
-
- Check the strength and operational safety of the bracket and the load attached to it at regular intervals (at least quarterly).
 - Clean only with water or conventional household cleaners.



10. Setting options



- To permanently adjust the tilt, open the side fastening screws using the Allen key [E5], set the desired tilt and tighten the screws again.
In order to be able to flexibly adjust the tilt angle, turn the screws hand-tight only. In this way, the screen can be adjusted at any time.
- If the turning function is stiff, loosen the screw on the joint using the hexagon ring spanner [E6].



11. Technical data

Maximum load:	40 kg
Screen diagonal:	81.0 - 165.0 cm (US: 32" - 65")
Width/height/depth:	90.5 cm/ 83.0 cm/ 34.2 cm
Swivel range:	up to 70° (depending on device)
Tilt range:	-10°/+5°
Mount:	Compliant with VESA standard: 200x200 300x200 300x300 400x200 400x300 400x400 600x400



12. Warranty disclaimer

Hama GmbH & Co KG assumes no liability and provides no warranty for damage resulting from improper installation/mounting, improper use of the product or from failure to observe the operating instructions and/or safety notes.

13. Service and support

Please contact Hama Product Consulting if you have any questions about this product.

Hotline: +49 9091 502-0 (German/English)

Further support information can be found here: www.hama.com

14. Warranty conditions

For this product, HAMA GmbH & Co KG grants you an extended manufacturer's warranty for freedom from defects, usability, workmanship and the durability of the materials used for a period of 10 years. Excluded from the guarantee is the compatibility of the product with future standards of further developed hardware.

Within the specified period, Hama GmbH & Co KG will remedy a justified warranty claim at its own discretion, free of charge, either by repair or replacement.

The warranty period begins on the date of purchase of this product and is valid throughout the EU.

The warranty granted is in addition to and does not affect your statutory rights. Damage caused by improper use, normal wear and tear, exposure to chemicals or force majeure, as well as tampering or repairs by you or third parties, are excluded from the warranty.

Furthermore, accessories that are not part of the basic equipment of the product (promotional parts) are excluded from the warranty.

In the event of a warranty claim, please contact us at Hama GmbH & Co KG, Dresdner Str. 9, 86653 Monheim, Germany, enclosing proof of purchase. You are also welcome to contact us at www.hama.de or by phone on +49 (0)9091/502-0.