

We are so happy you chose a  
hama product.

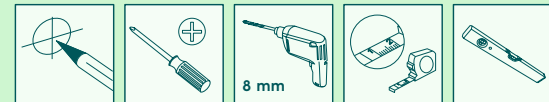
***Enjoy using it!***

***hama***



# Quick Installation Guide

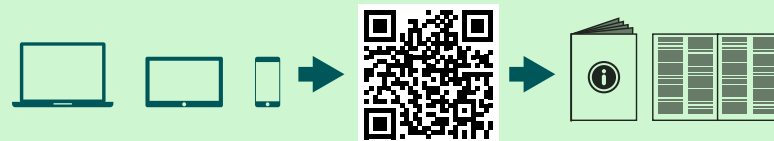
## Required tools



## Installation kit

<b>A1</b>		6x60 (x4)	<b>C2</b>		M6x20 (x4)
<b>A2</b>		Ø8x50 (x4)	<b>D1</b>		M8x12 (x4)
<b>A3</b>		M6 (x4)	<b>D2</b>		M8x20 (x4)
<b>B1</b>		M6 (x4)	<b>D3</b>		M8x30 (x4)
<b>B2</b>		Ø8x10 (x4)	<b>D4</b>		M8x50 (x4)
<b>B3</b>		Ø8x20 (x4)	<b>F1</b>		(x1)
<b>C1</b>		M6x12 (x4)	<b>F2</b>		(x1)

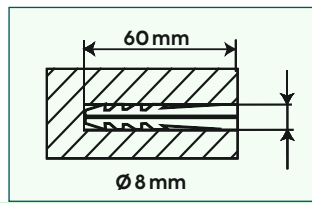
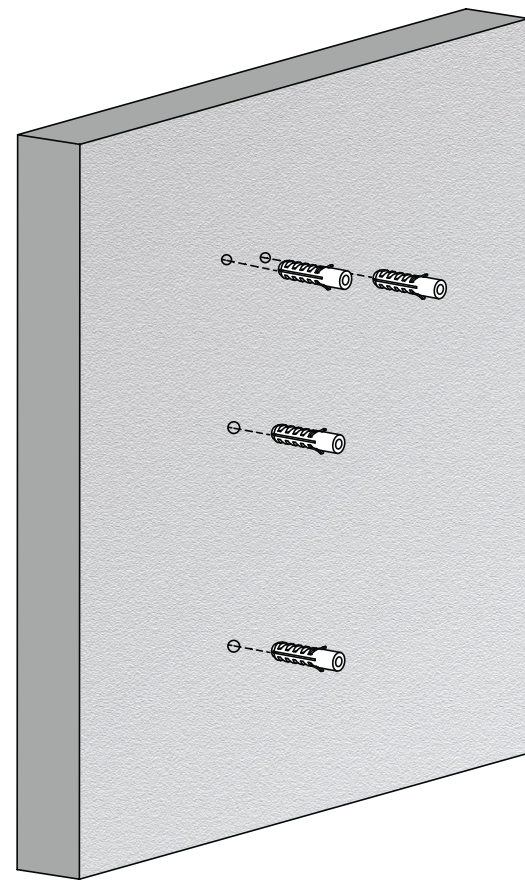
**Do you need more help?**



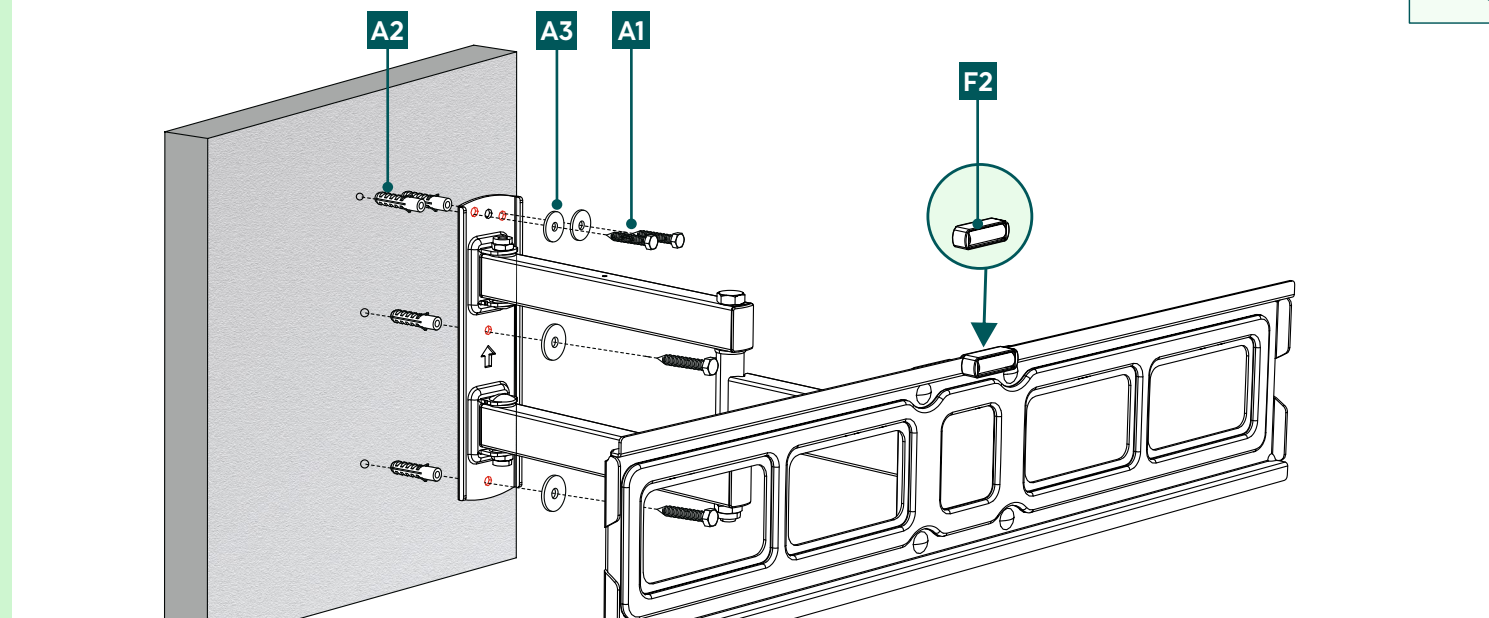
Scan QR or visit:  
[support.hama.com/00220910](http://support.hama.com/00220910)



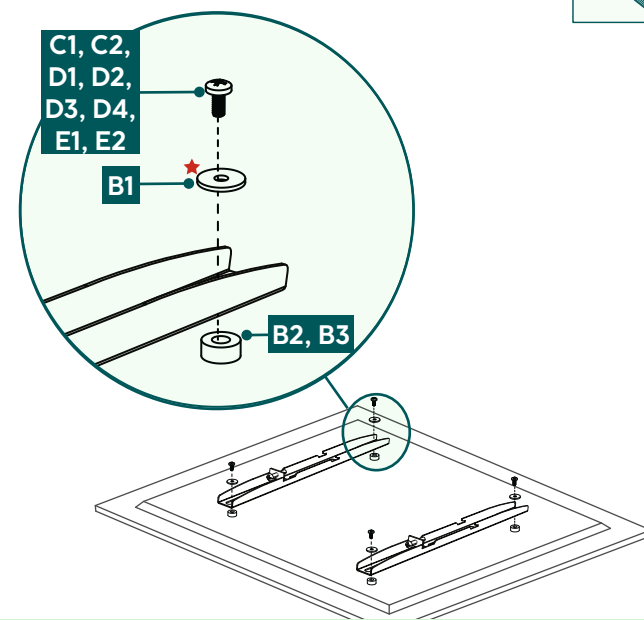
## 1 Drilling the holes



## 2 Wall mounting the bracket



## 3 Mounting on backside of the TV



### Flat TV backside

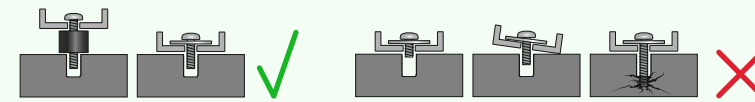
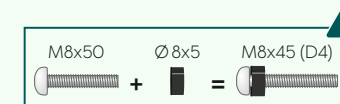
C1, D1, D4, E1 + B1

### Curved TV backside

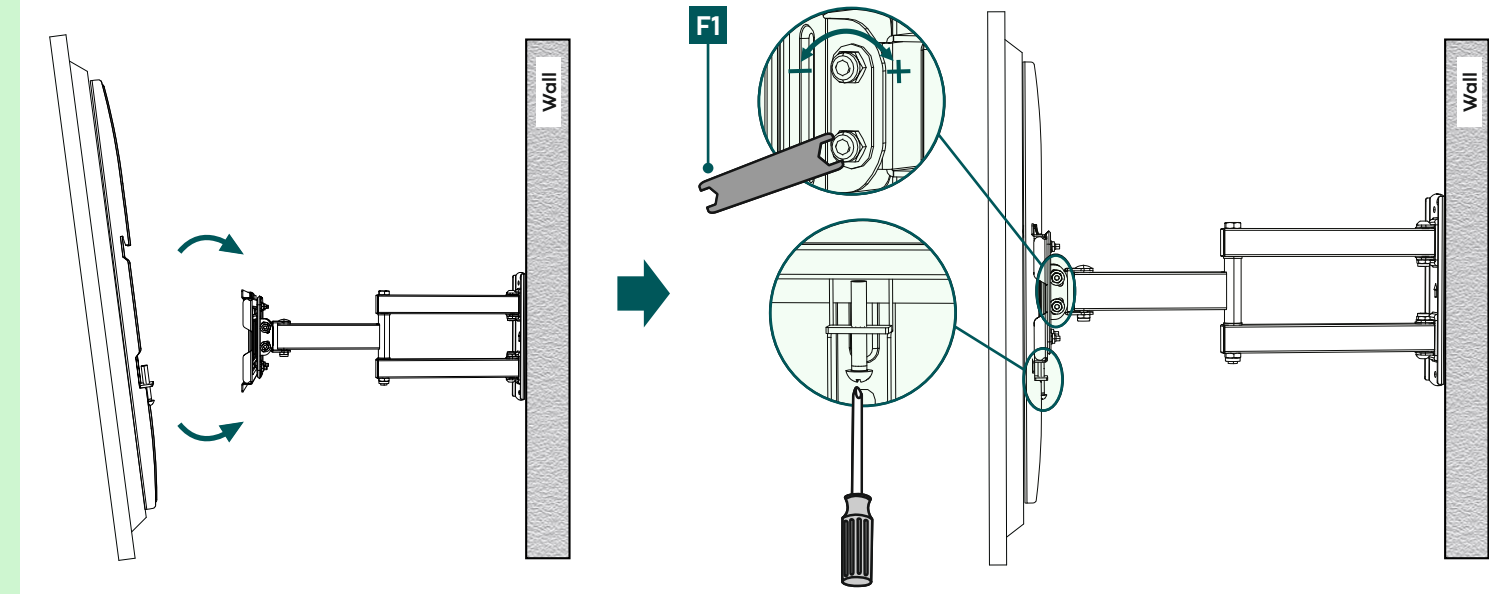
C2, D2, D4, E2 + B1 + B2

D3, D4 + B3

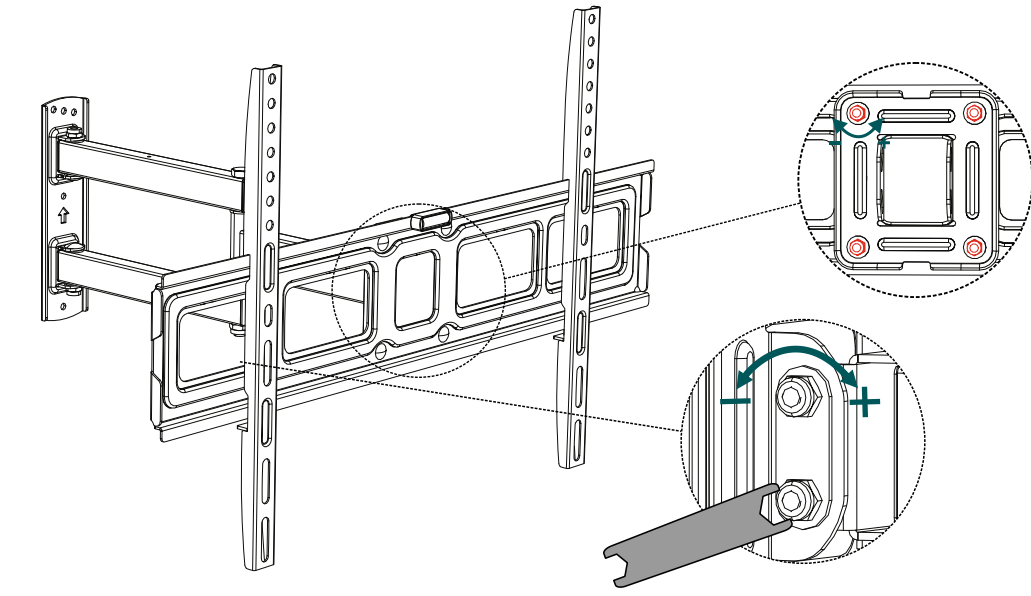
★ You do not need a washer for the D-screws



## 4 Fixing the wall bracket



## 5 Adjustments



180°

72 – 427 mm

-10°/+15°

6°