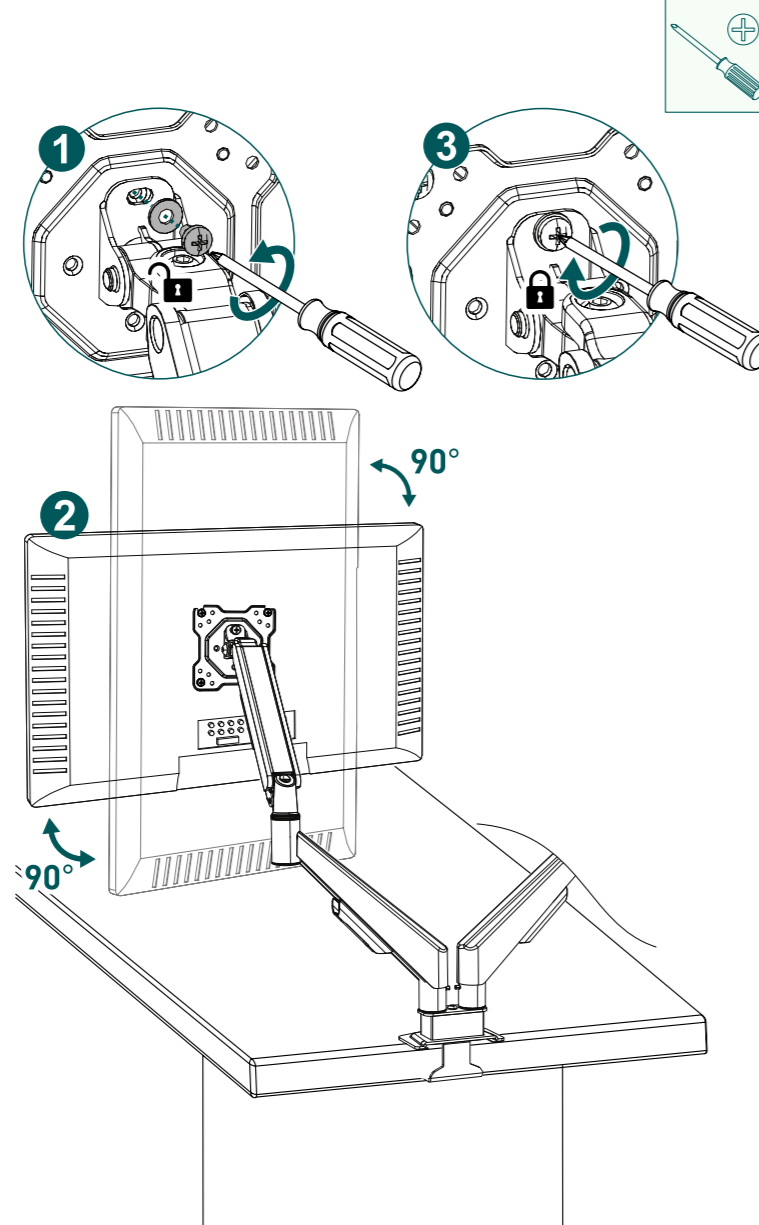
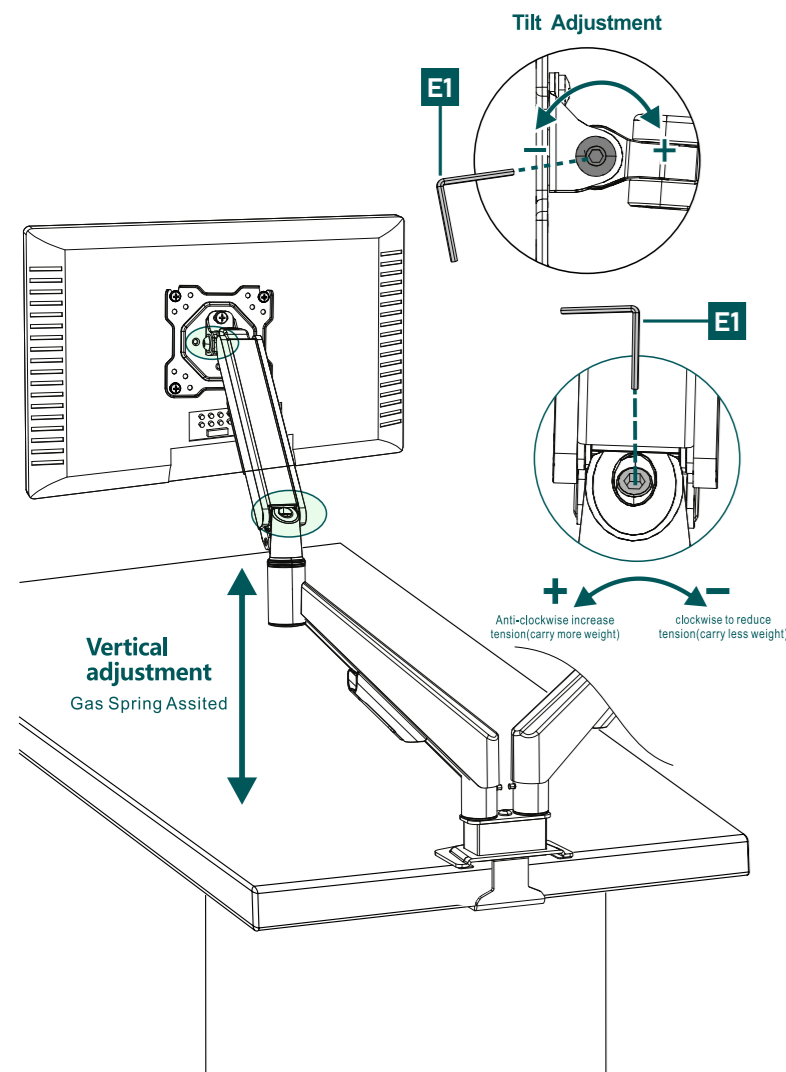
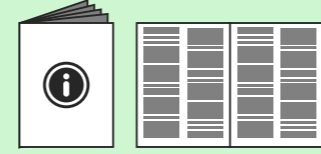


7 Adjustments



Do you need more help?



Scan QR or visit:  
[support.hama.com/00220908](http://support.hama.com/00220908)

We are so happy you have chosen a Hama product.

**Enjoy using it!**

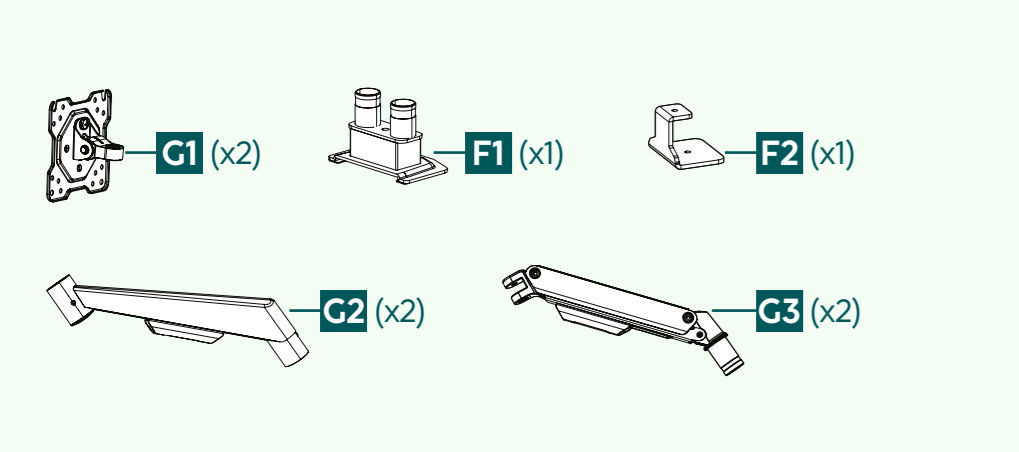


# Quick Installation Guide

**Required tools**

**Installation kit**

<b>A1</b>		M4x12 (x8)
<b>A2</b>		M8x45 (x1)
<b>A3</b>		M8x90 (x1)
<b>B1</b>		M8x35 (x2)
<b>B2</b>		M8 (x2)
<b>C1</b>		(x1)
<b>D1</b>		3x3 (x1)
<b>E1</b>		5x5 (x1)



**1 Preparing - Attach foam strips**

**3a Mounting the monitor arm**

**3b Secure the monitor arm**

**4 Mounting the VESA plate**

**5 Mounting the monitors**

**2a Option A: Clamp mounting - Assembling**

**2b Option B: Drilling - Prepare for assembling**

**6 Thread the cable**