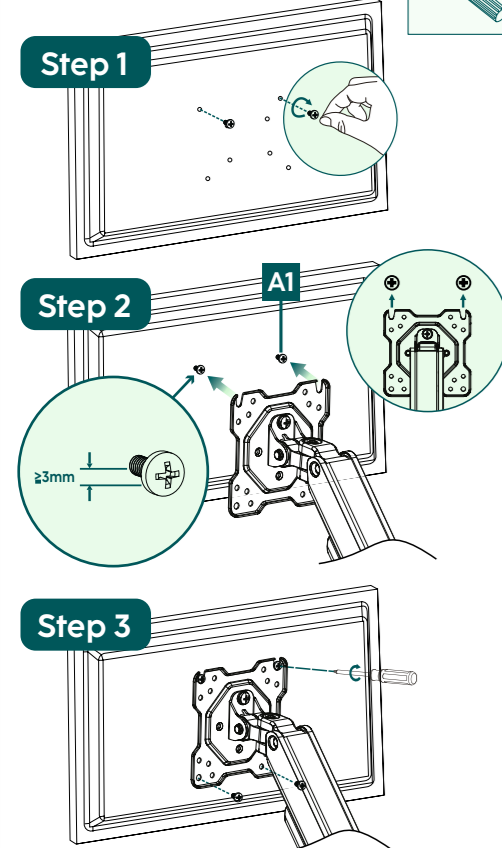


5 Mounting the monitors

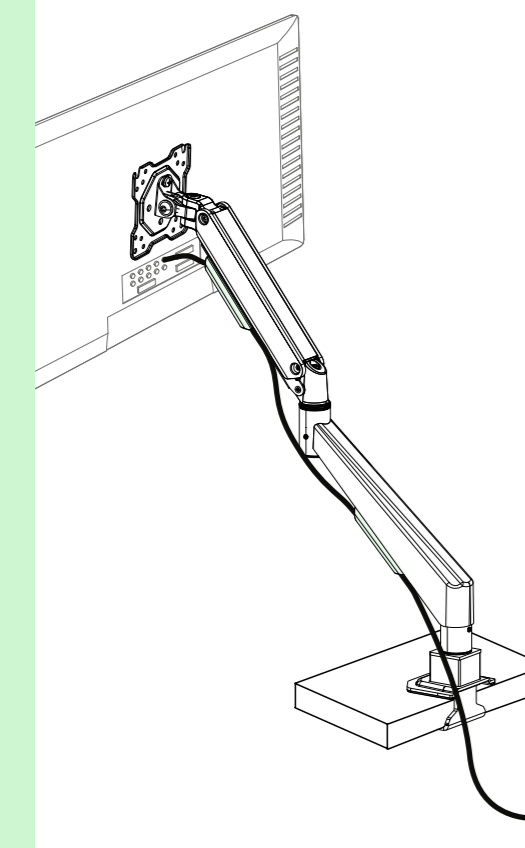
Step 1

Step 2

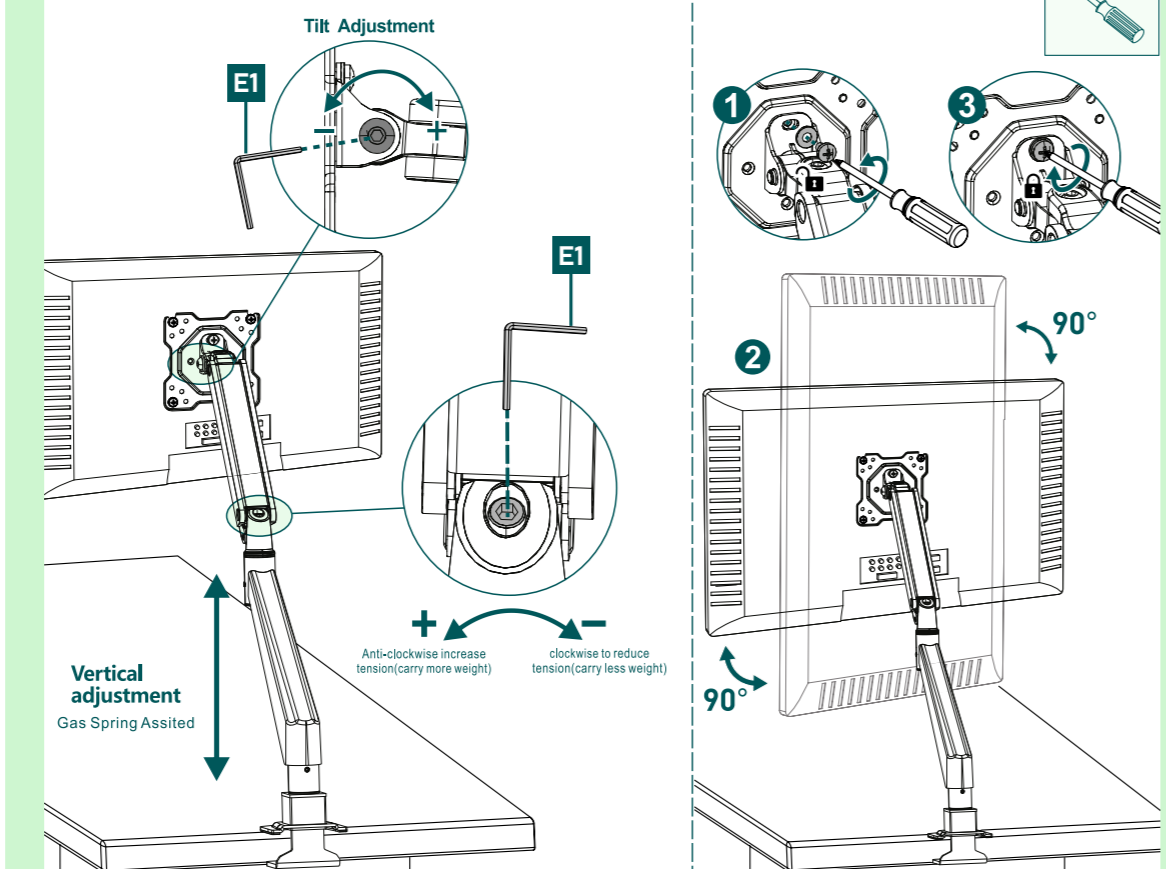
Step 3



6 Thread the cable



7 Adjustments



Do you need more help?



Scan QR or visit:
support.hama.com/00220905



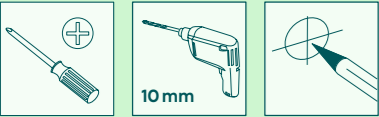
We are so happy you have chosen a Hama product.

Enjoy using it!



Quick Installation Guide

Required tools



Installation kit

A1		M4x12 (x4)	B2		M8 (x1)
A2		M8x45 (x1)	C1		(x1)
A3		M8x90 (x1)	D1		3x3 (x1)
B1		M8x35 (x1)	E1		5x5 (x1)

G1		(x1)	F1		(x1)
G2		(x1)	F2		(x1)
G3		(x1)			

