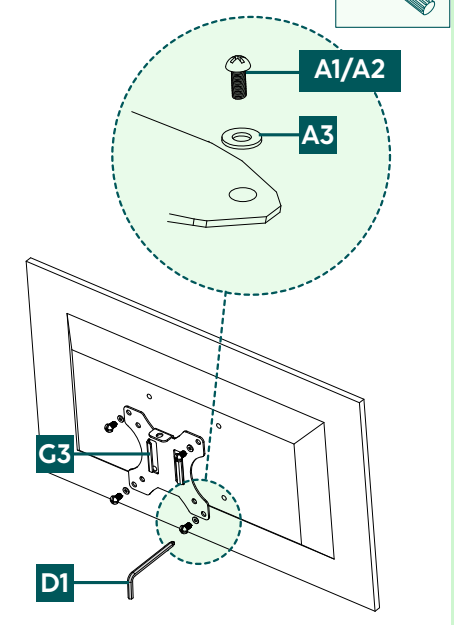
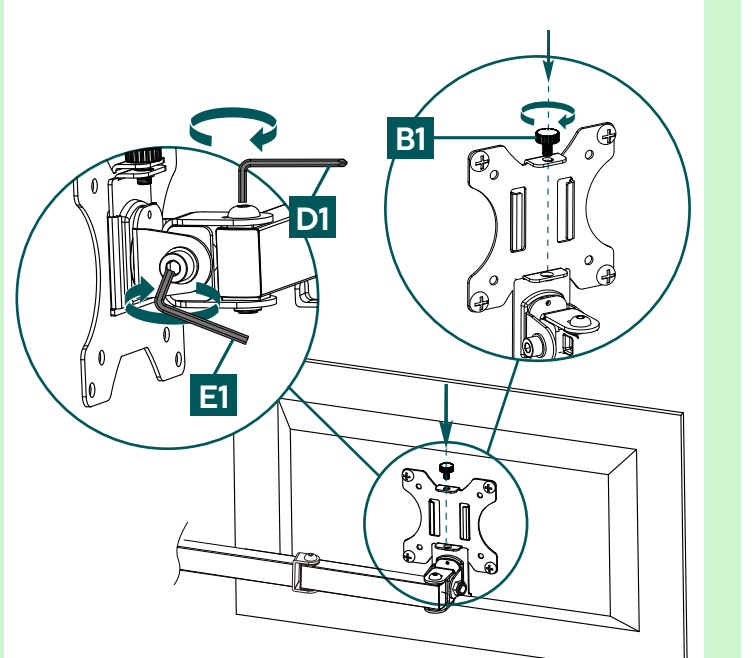


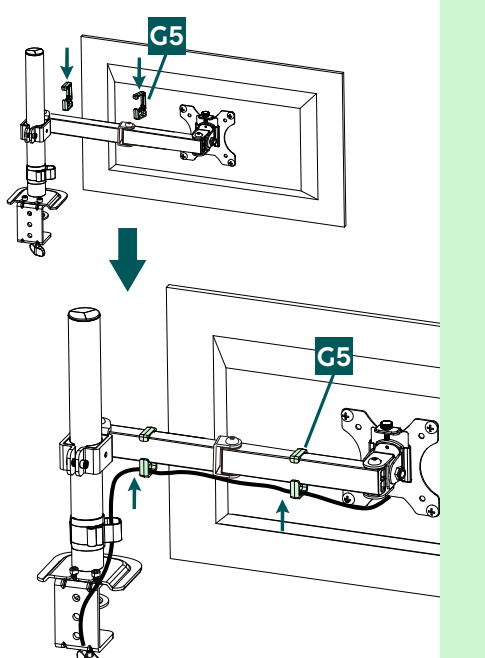
5 Mounting the VESA plate



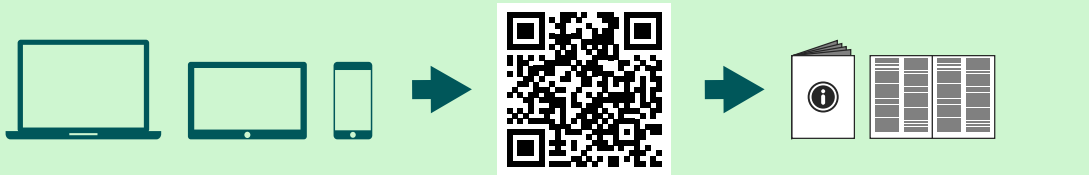
6 Mounting the monitors



7 Thread the cable



??
Do you need more help?



Scan QR or visit: support.hama.com/00220902

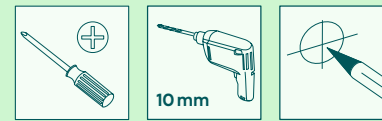
We are so happy you have chosen a Hama product.

Enjoy using it!



Quick Installation Guide

Required tools



Installation kit

A1		M4x12 (x4)	A3		D5 (x4)	C1		(x3)	E1		6 mm (x1)
A2		M5x12 (x4)	B1		(x1)	D1		5 mm (x1)	H1		(x2)
	F1	(x1)		G1	(x1)		G2	(x1)		G3	(x1)
	G4	(x1)		G5	(x2)						

