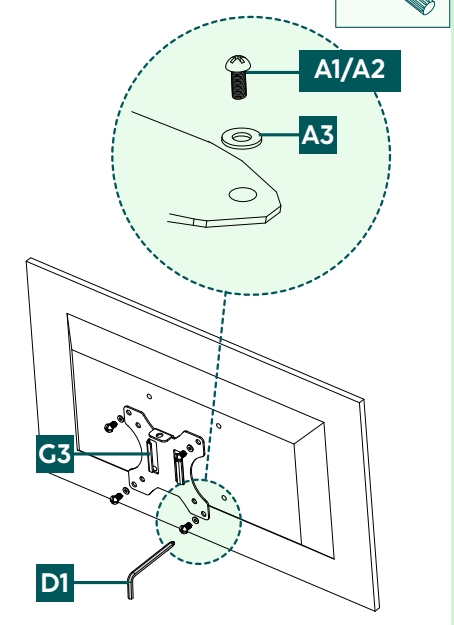
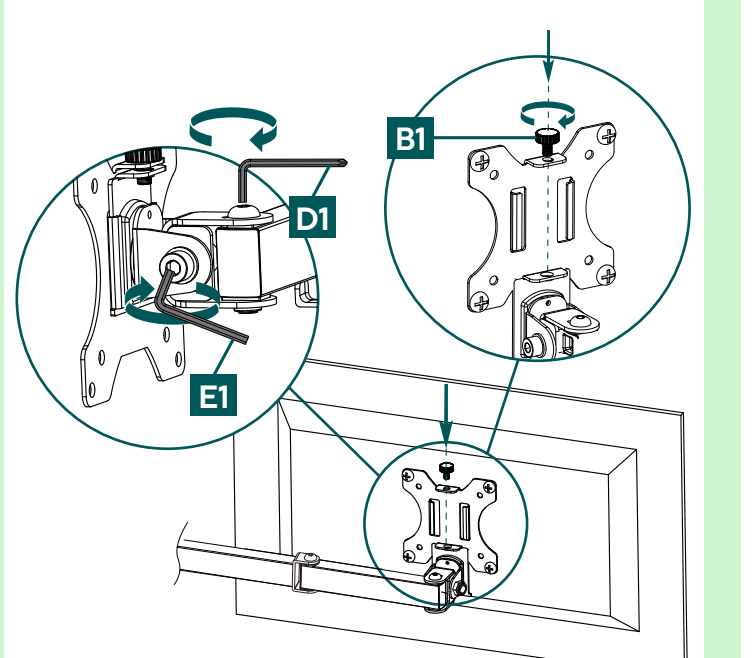


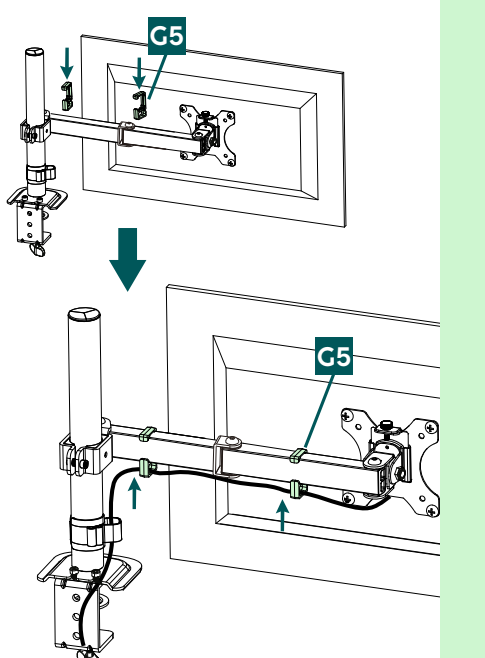
**5** Mounting the VESA plate



**6** Mounting the monitors



**7** Thread the cable



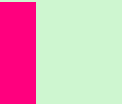
Do you need more help?



Scan QR or visit: [support.hama.com/00220901](https://support.hama.com/00220901)

We are so happy you have chosen a Hama product.

**Enjoy using it!**



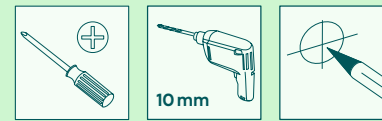
**hama**



00  
220901

# Quick Installation Guide

## Required tools



## Installation kit

<b>A1</b>		M4x12 (x4)	<b>A3</b>		D5 (x4)	<b>C1</b>		(x3)	<b>E1</b>		6 mm (x1)
<b>A2</b>		M5x12 (x4)	<b>B1</b>		(x1)	<b>D1</b>		5 mm (x1)	<b>H1</b>		(x2)
<b>F1</b>		(x1)	<b>G1</b>		(x1)	<b>G2</b>		(x1)	<b>G3</b>		(x1)
						<b>G4</b>		(x1)	<b>G5</b>		(x2)

