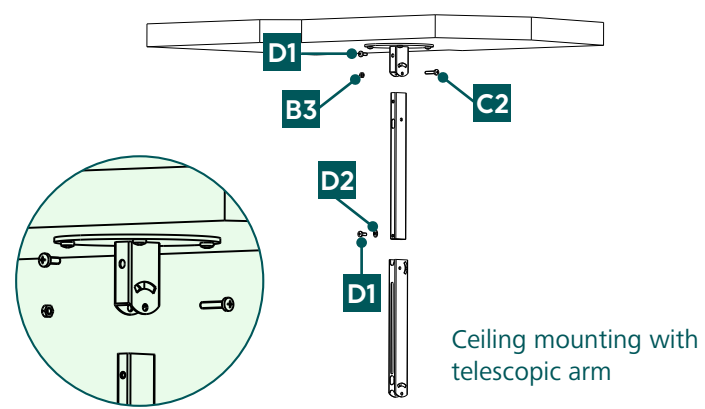
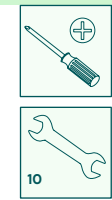


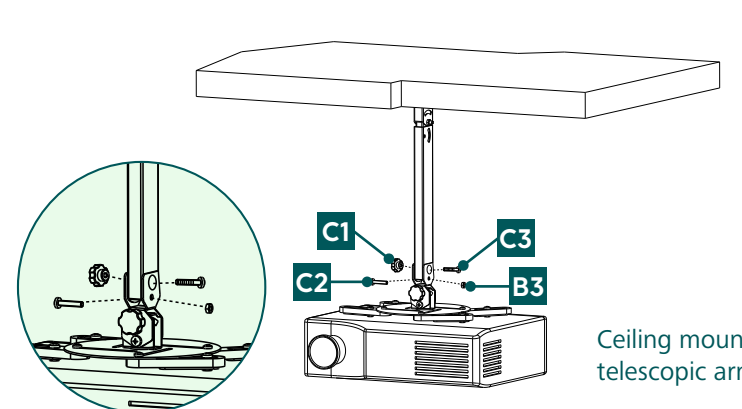
7a Assembling telescopic arm



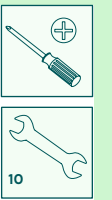
Ceiling mounting with telescopic arm



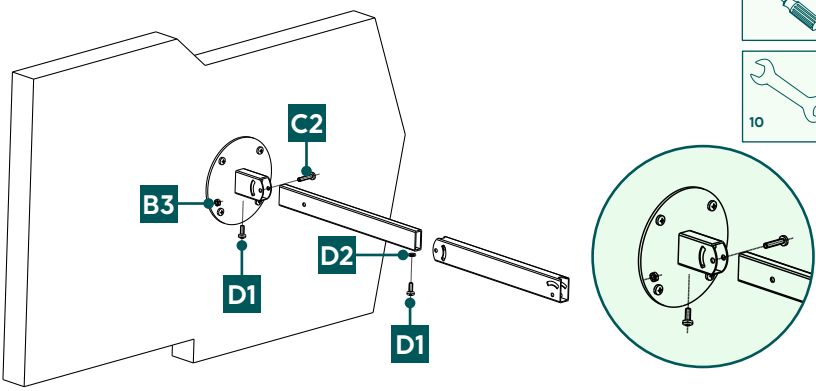
7b Fixing telescopic arm



Ceiling mounting with telescopic arm



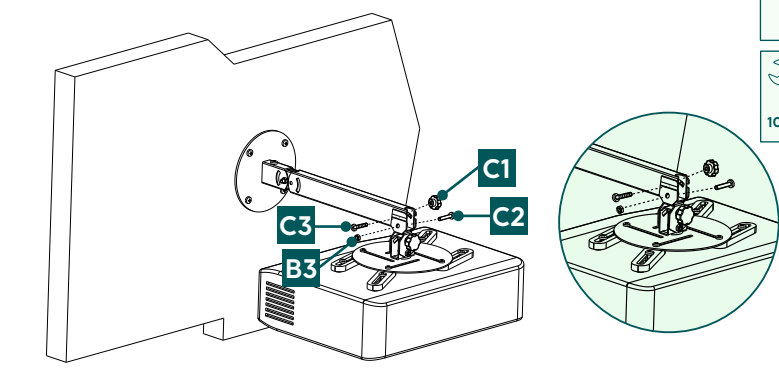
8a Assembling telescopic arm



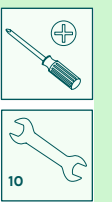
Wall mounting



8b Fixing telescopic arm



Wall mounting

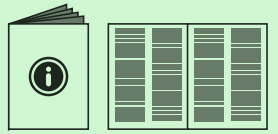


We are so happy you chose a hama product.

Enjoy using it!



??
Do you need more help?



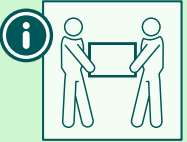
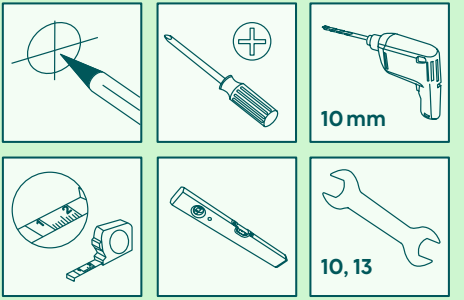
Scan QR or visit: www.hama.com
➔ 00220880 ➔ Downloads



hama

Quick Installation Guide

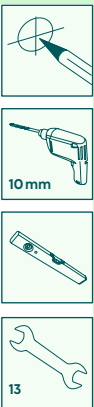
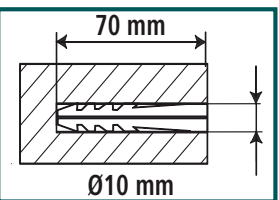
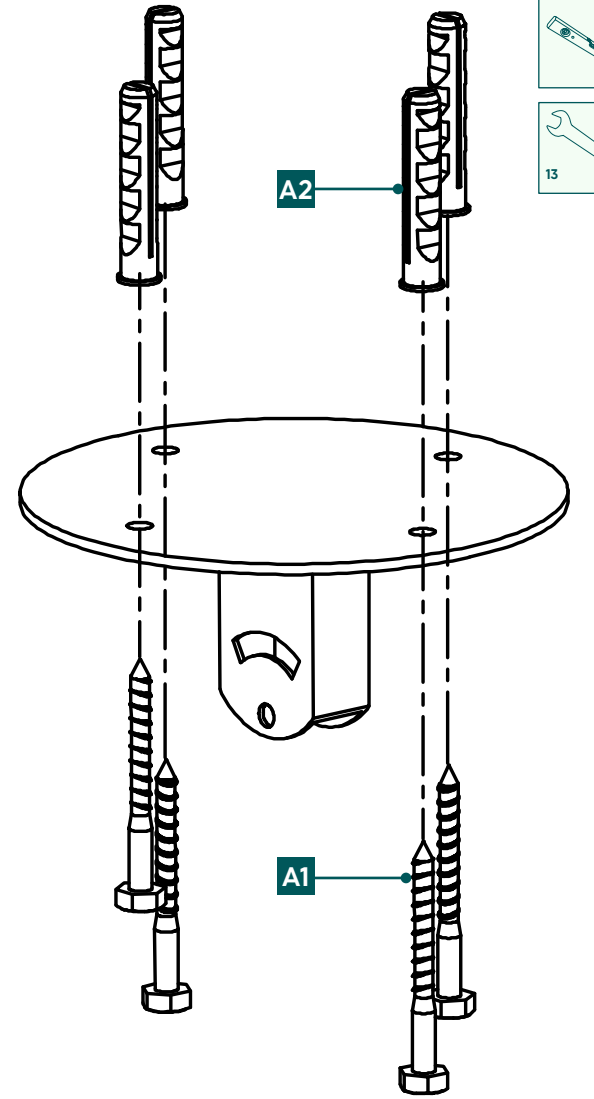
Required tools



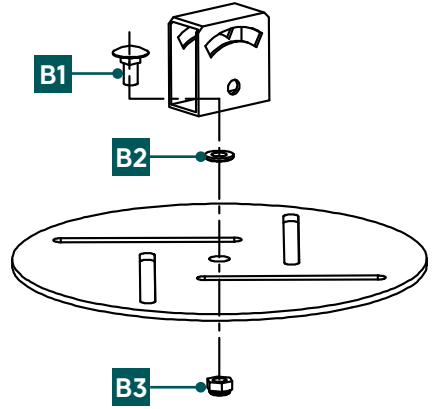
Installation kit

A1		8x60 (x4)	C3		M6x35 (x2)
A2		Ø10x60 (x4)	D1		M6x14 (x6)
B1		M6x16 (x1)	D2		M6 (x5)
B2		M8 (x1)	E1		M3x14 (x4)
B3		M6 (x8)	E2		M4x14 (x4)
C1		M6 (x2)	E3		M5x14 (x4)
C2		M6x35 (x3)	E4		M4 (x4)

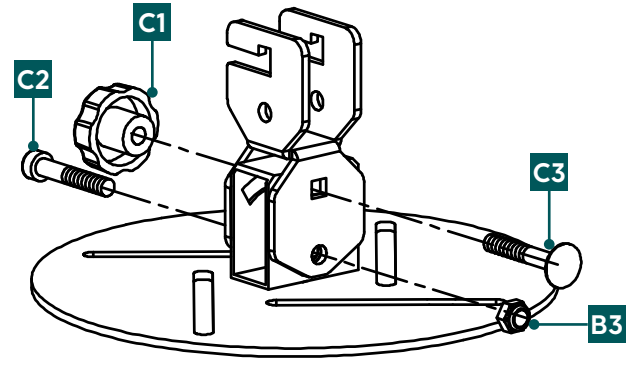
1 Mounting the bracket



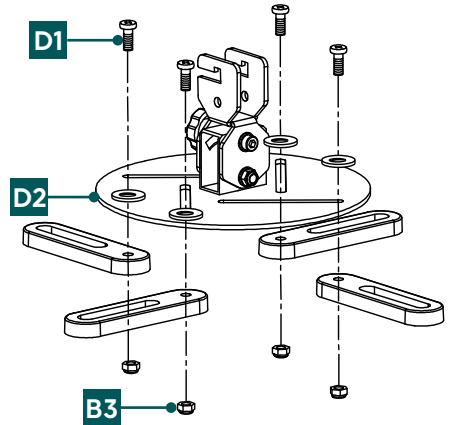
2 Fixing plate



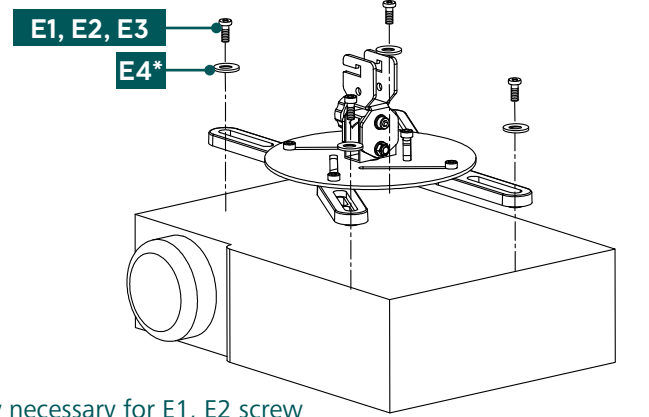
3 Fixing hook



4 Fixing holding arms



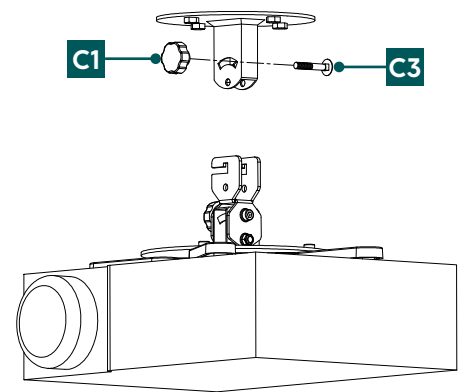
5 Mounting to the projector



* E4 only necessary for E1, E2 screw

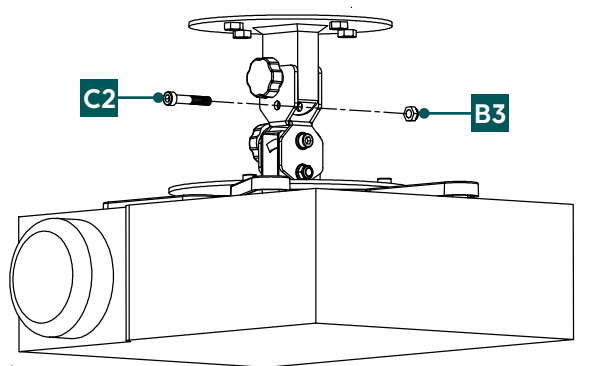


6a Connecting bracket and holder



Ceiling Mounting

6b Fixing the bracket



Ceiling Mounting

