

We are so happy you chose a
hama product.

Enjoy using it!

hama



00
220876

Quick Installation Guide

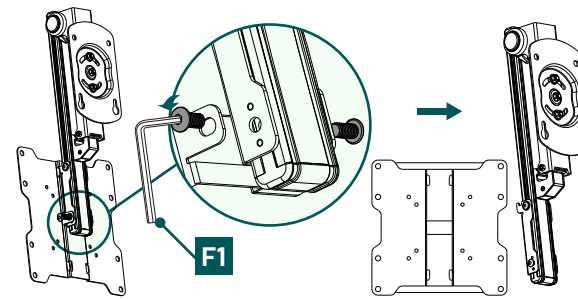
Required tools



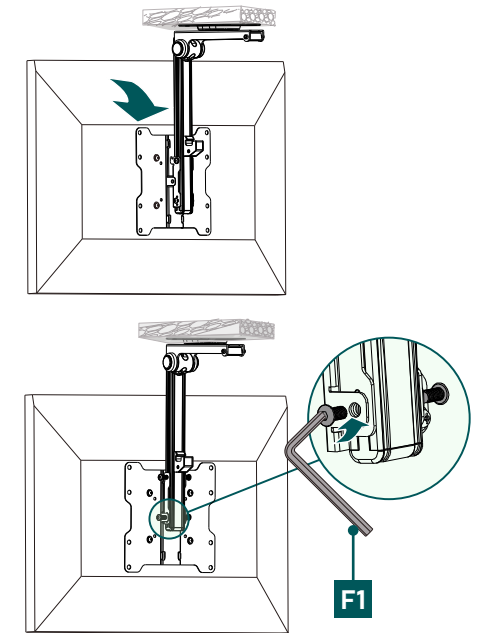
Installation kit

A1		7x60 (x4)	D2		M8x20 (x4)
A2		Ø10x60 (x4)	D3		M8x30 (x4)
B1		M6 (x4)	E1		M4x12 (x4)
B2		Ø8x10 (x4)	E2		M4x20 (x4)
B3		Ø8x20 (x4)	E3		M4x45 (x4)
C1		M6x12 (x4)	F1		M4x4 (x1)
C2		M6x20 (x4)	F2		6x6 (x1)
D1		M8x12 (x4)			

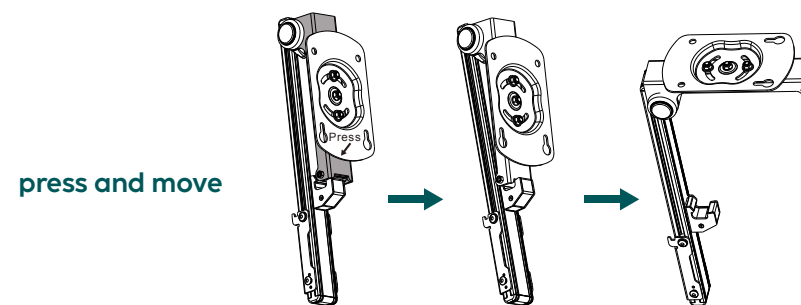
1 Loose the TV plate



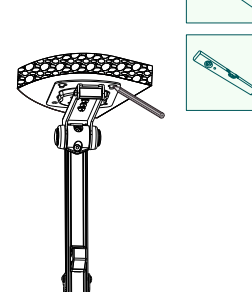
5 Mounting TV on bracket



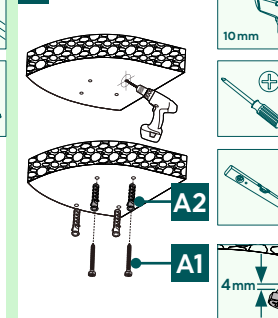
2 Unlock the bracket



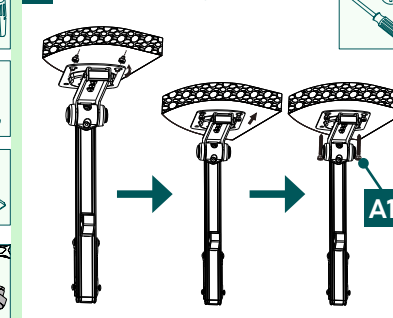
3a Mark drill holes



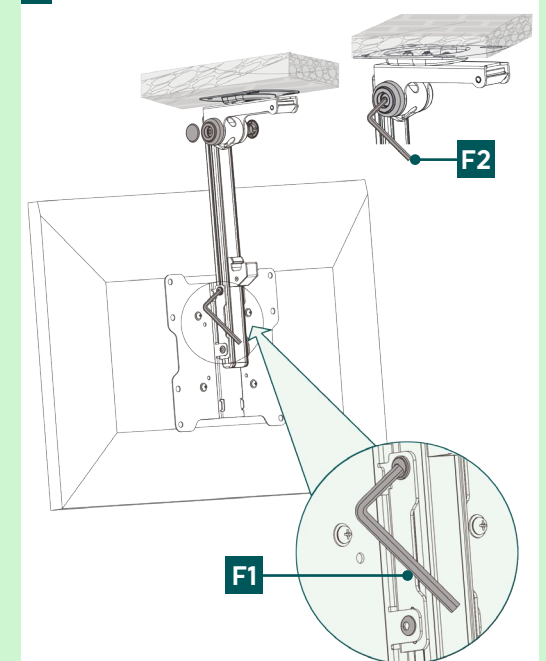
3b Drill the holes



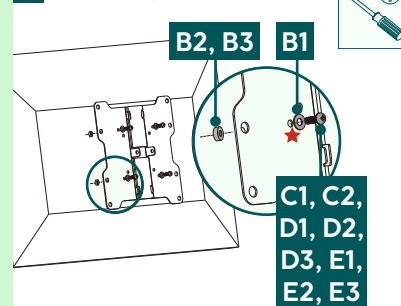
3c Wall mounting the bracket



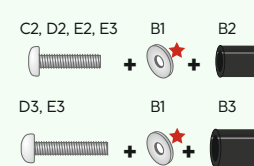
6 Adjustments



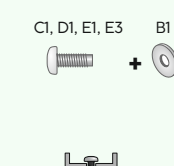
4 Mounting on TV



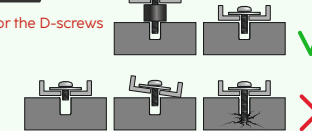
Curved TV backside



Flat TV backside



★ You do not need a washer for the D-screws



Do you need more help?

Scan QR or visit: www.hama.com
 ➔ 00220876 ➔ Downloads

