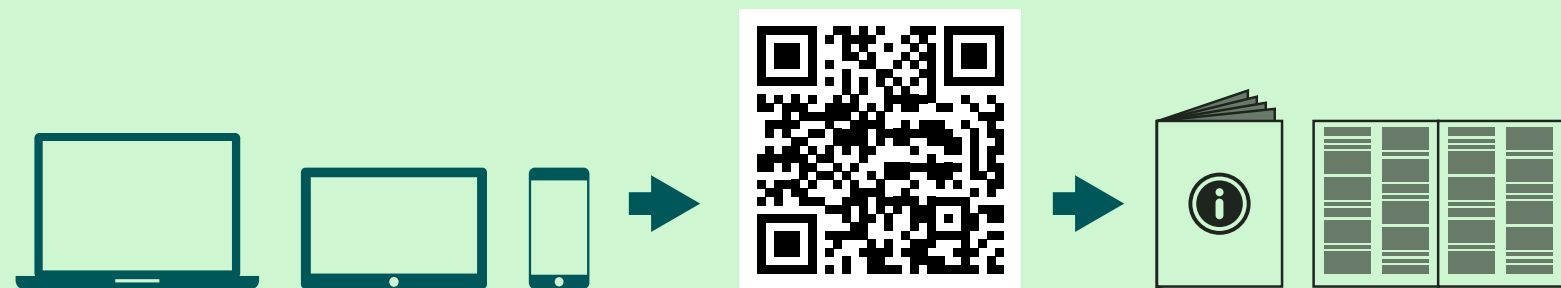




Do you need more help?



Scan QR or visit: www.hama.com → 🔍 → 00220865 → Downloads



We are so happy you chose a hama product.

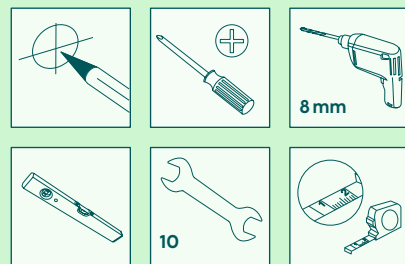
Enjoy using it!

hama



Quick Installation Guide

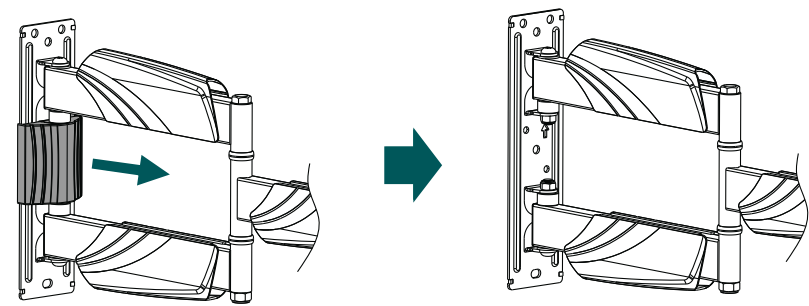
Required tools



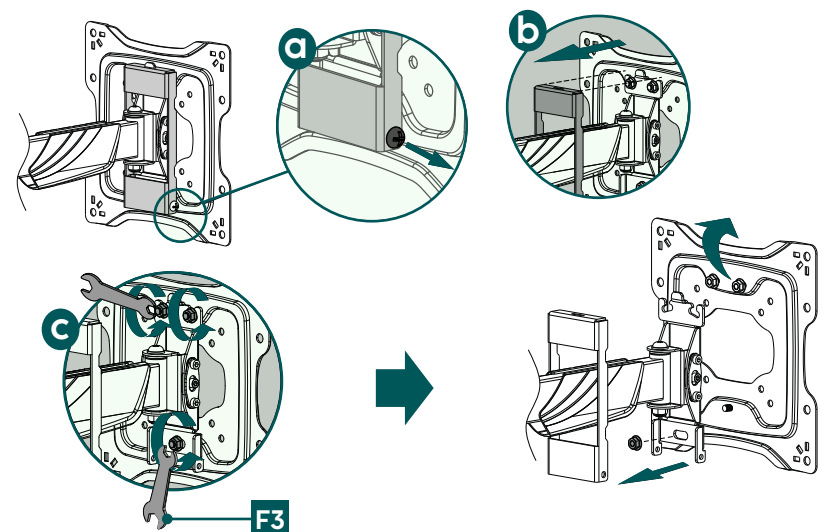
Installation kit

A1		6x55 (x4)
A2		Ø8x50 (x4)
A3		M6 (x4)
B1		M6 (x4)
B2		Ø8x10 (x4)
B3		Ø8x20 (x4)
C1		M6x12 (x4)
C2		M6x20 (x4)
D1		M8x12 (x4)
D2		M8x20 (x4)
D3		M8x30 (x4)
E1		M4x12 (x4)
E2		M4x20 (x4)
E3		M4x45 (x4)
F1		(x2)
F2		(x1)
F3		(x1)

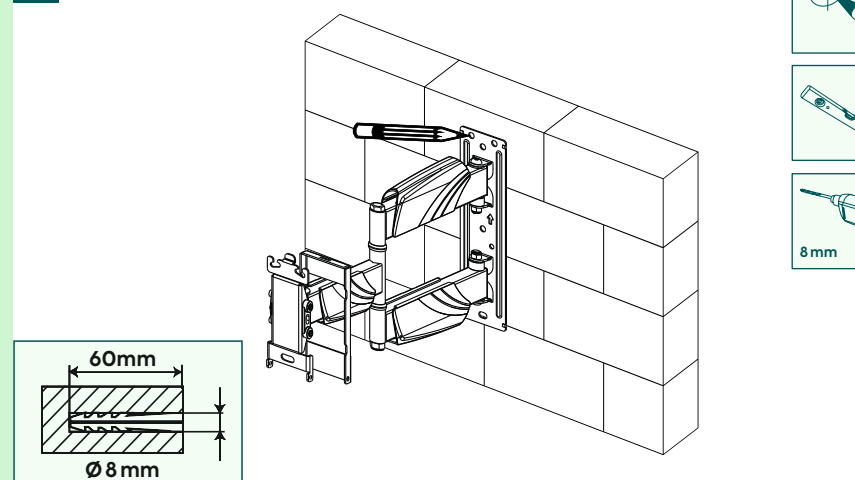
1 Loosening the cover



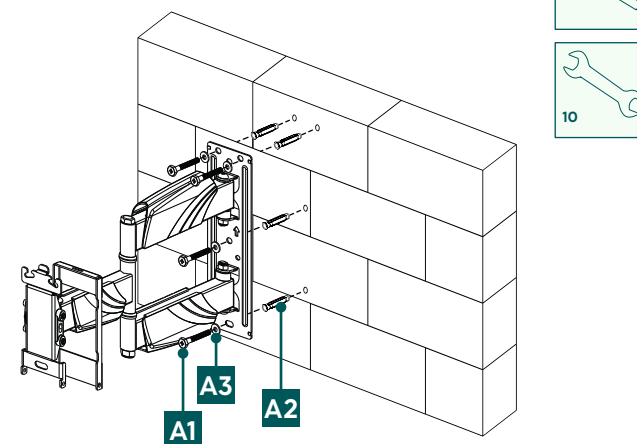
2 Loosening the screw



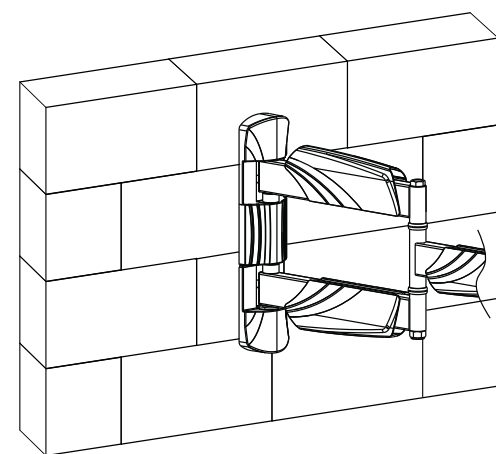
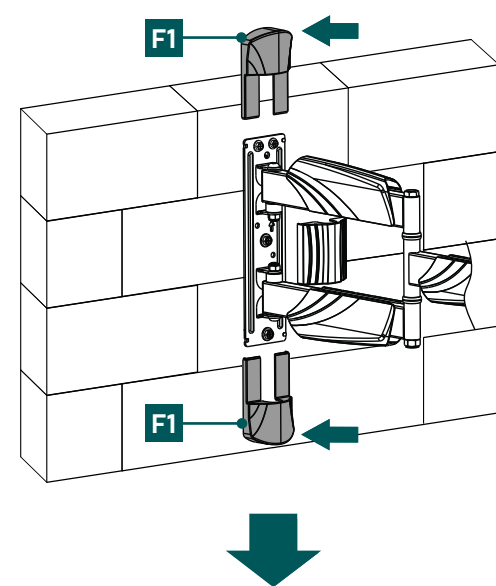
3 Mark drill holes



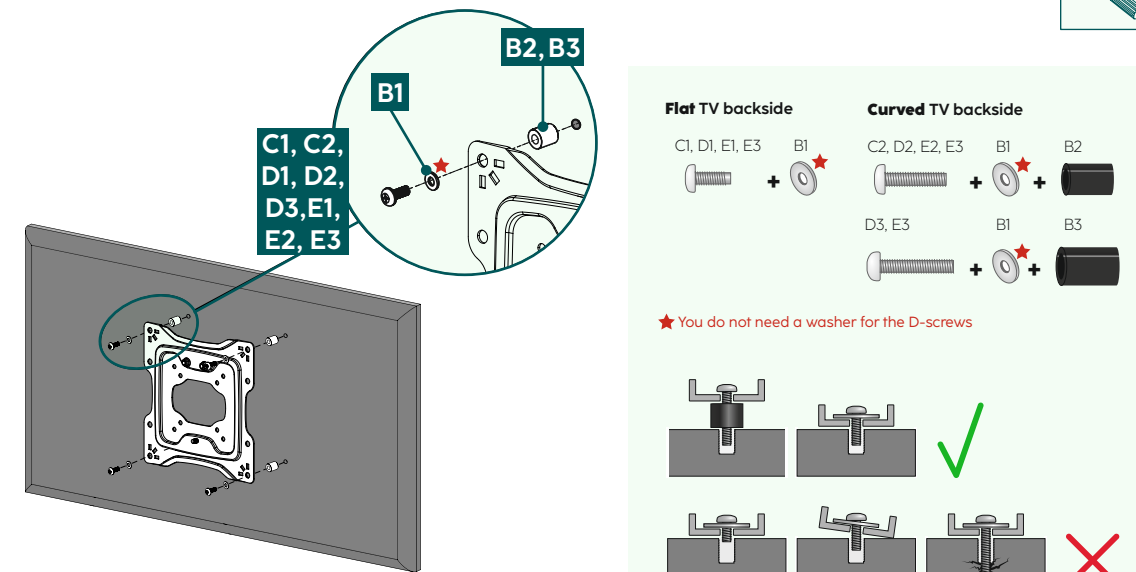
4 Wall mounting the bracket



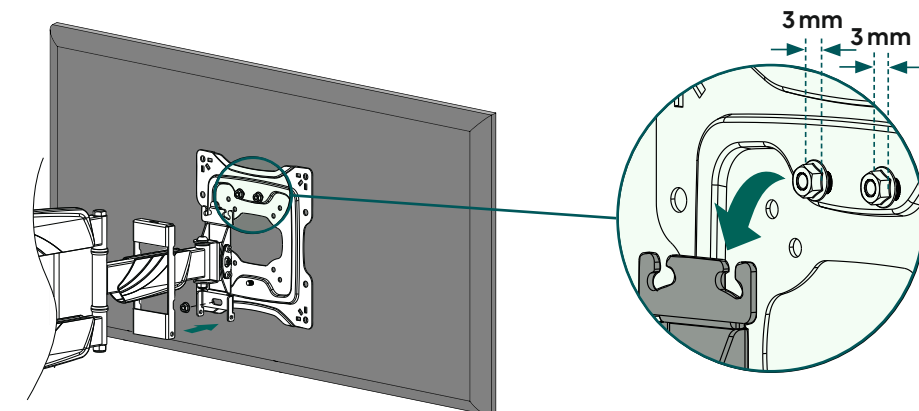
5 Put on covers



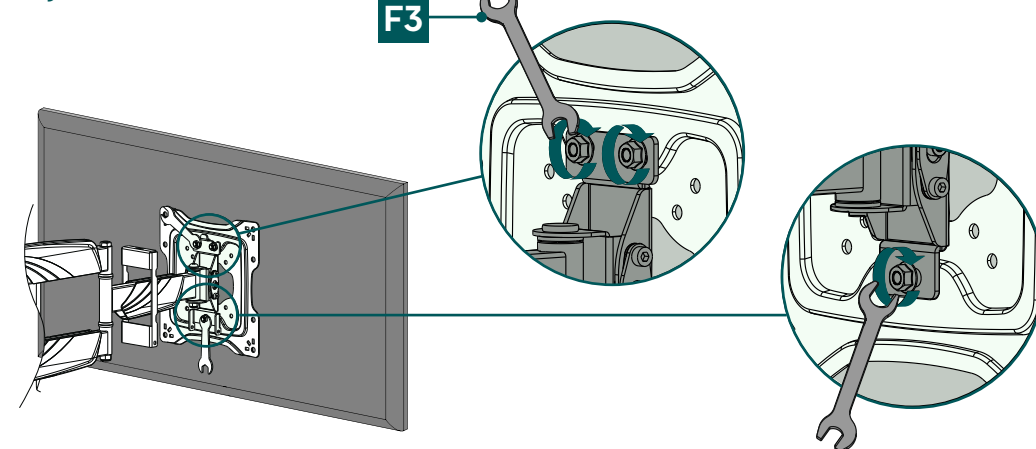
6 Mounting on TV



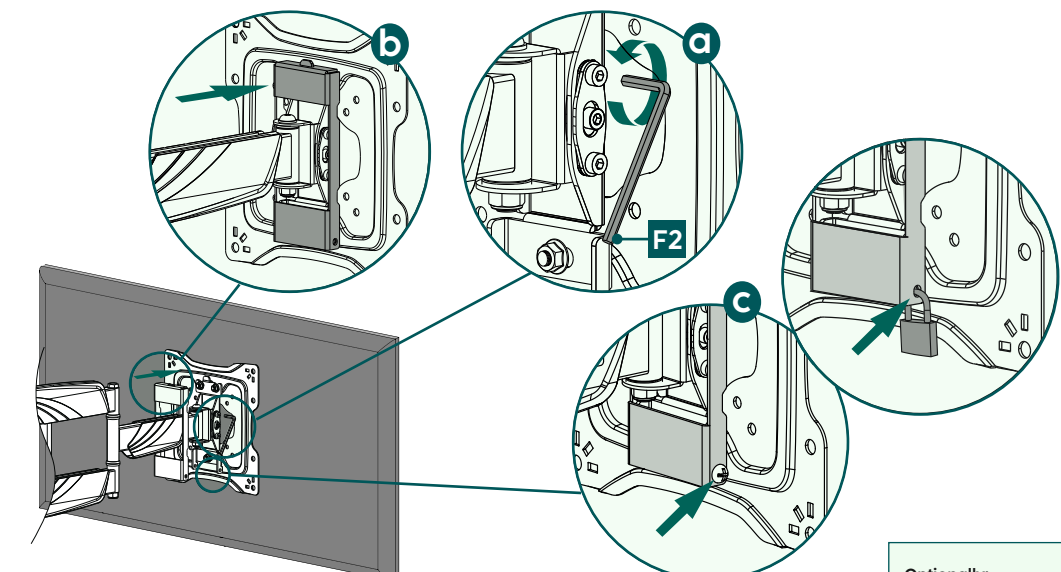
7 Mounting TV on bracket



8 Adjustments

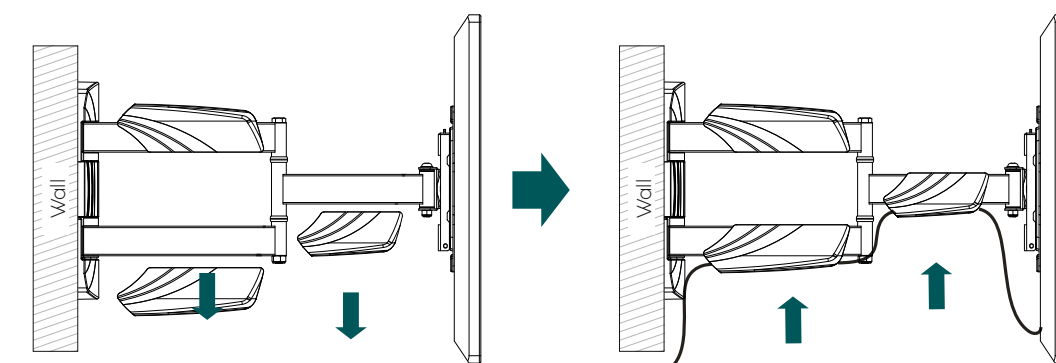


9 Adjustments



Optionally:
safety lock (not included)

10 Thread the cable



11 Adjustments

