

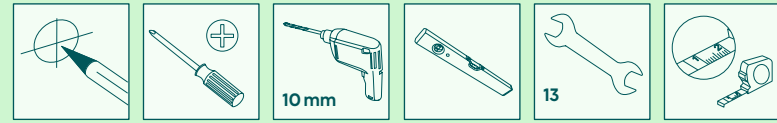
are so happy you chose a
hama product.

Enjoy using it!



Quick Installation Guide

Required tools



Installation kit

A1		8x60 (x5)	D2		M8x20 (x4)
A2		Ø10x60 (x5)	D3		M8x30 (x4)
A3		M8 (x5)	D4		M8x50 (x4)
B1		M6/M8 (x4)	F1		(x1)
B2		Ø8x10 (x4)	G1		(x2)
B3		Ø8x20 (x4)	G2		(x4)
C1		M6x12 (x4)	H1		(x2)
C2		M6x20 (x4)	H2		(x2)
D1		M8x12 (x4)			

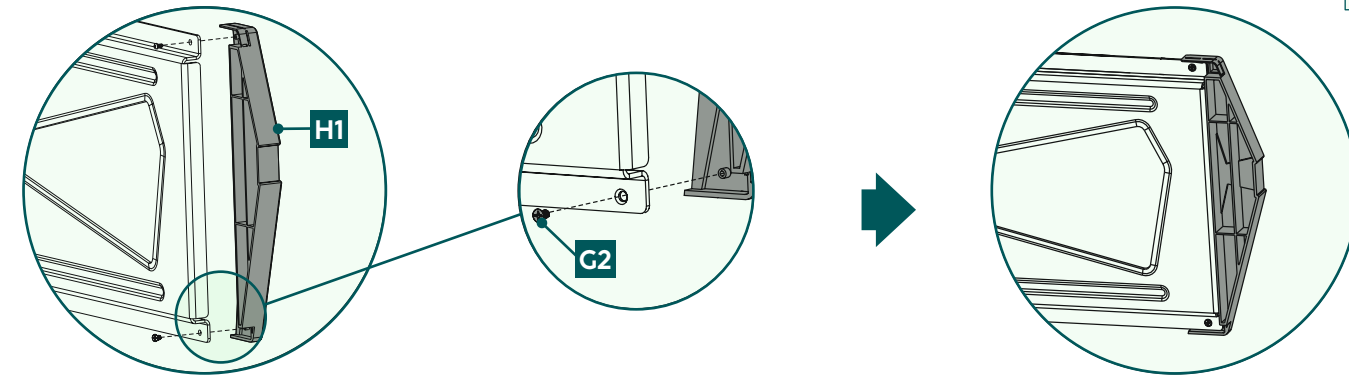
Do you need more help?



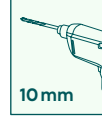
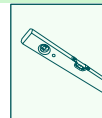
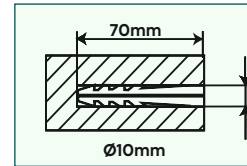
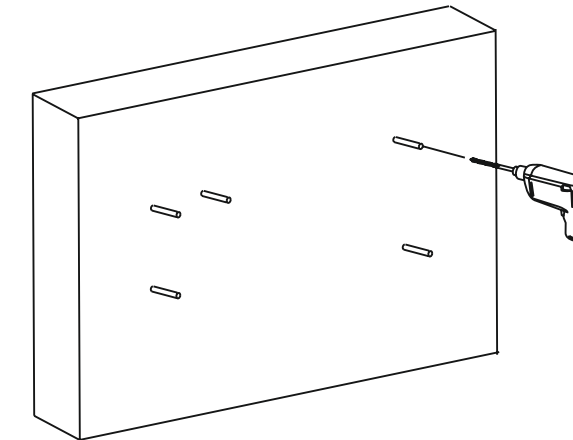
Scan QR or visit: www.hama.com → Q → 00220863 → Downloads



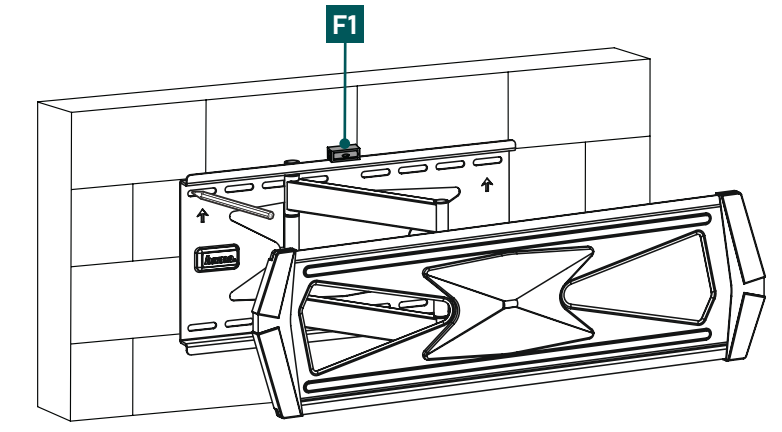
1 Loosening the screw



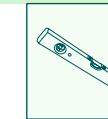
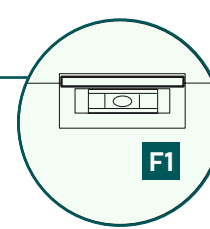
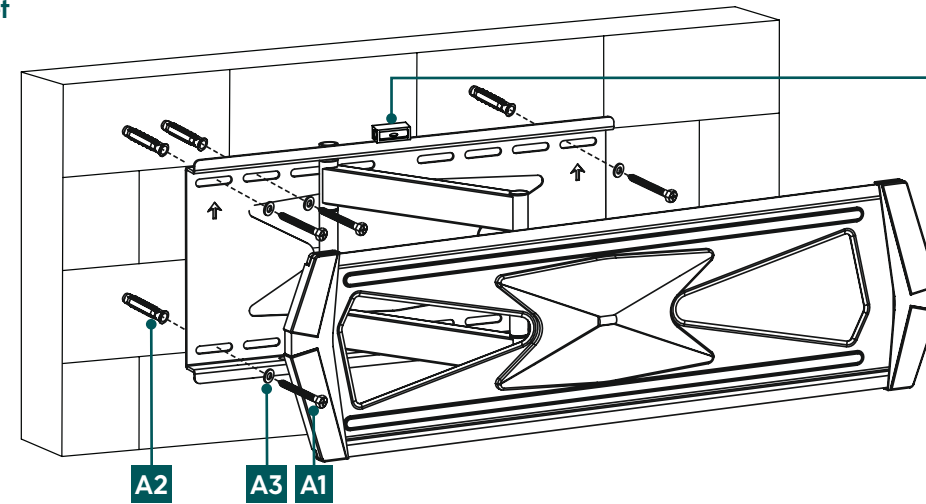
2 Mark drill holes



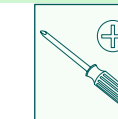
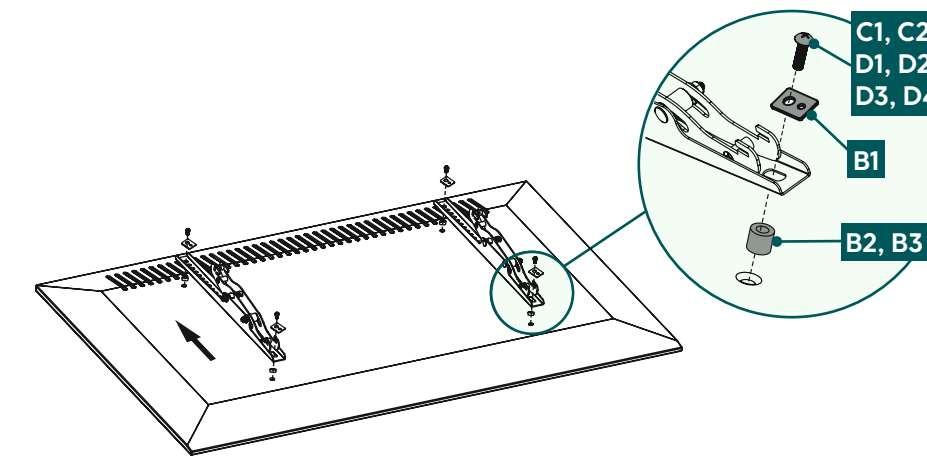
3 Wall mounting the bracket



4 Wall mounting the bracket



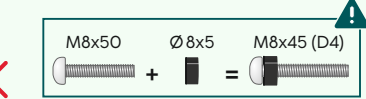
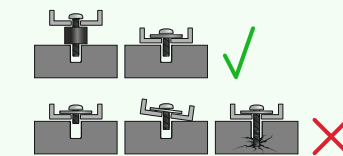
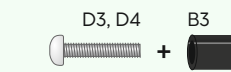
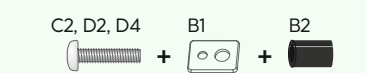
5 Mounting on TV



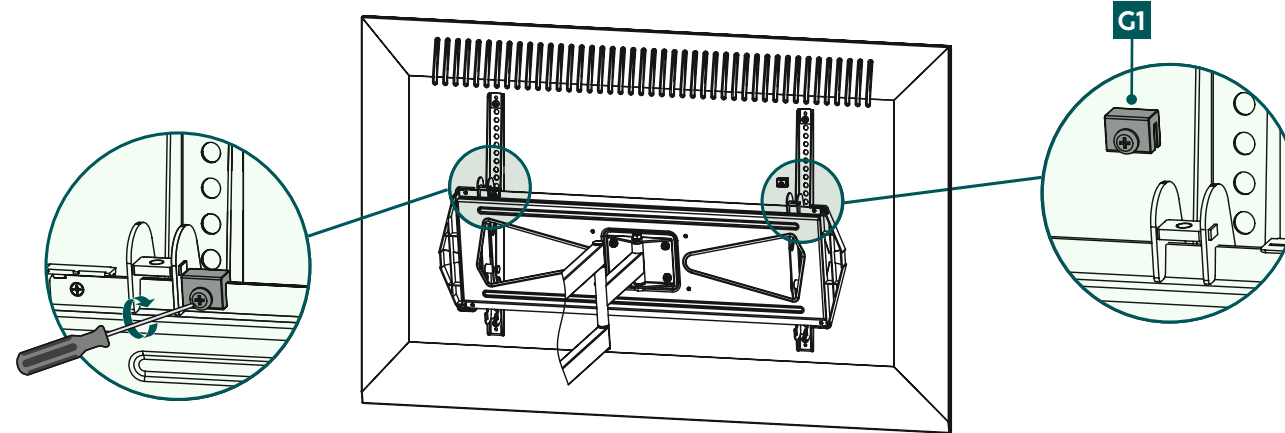
Flat TV backside



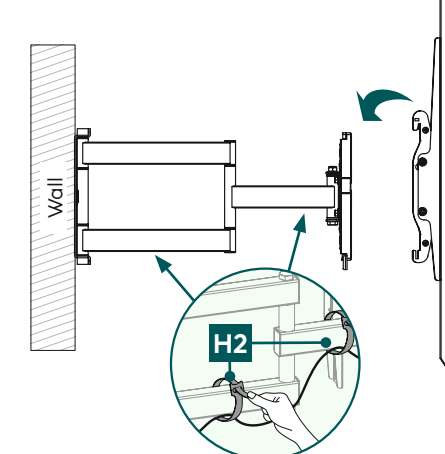
Curved TV backside



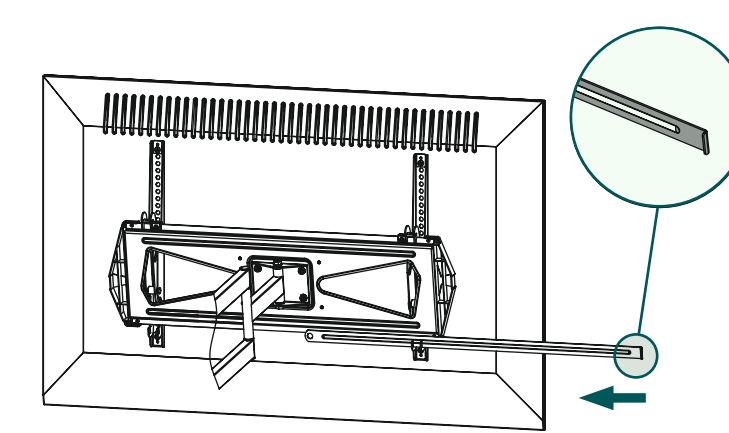
6 Put on covers



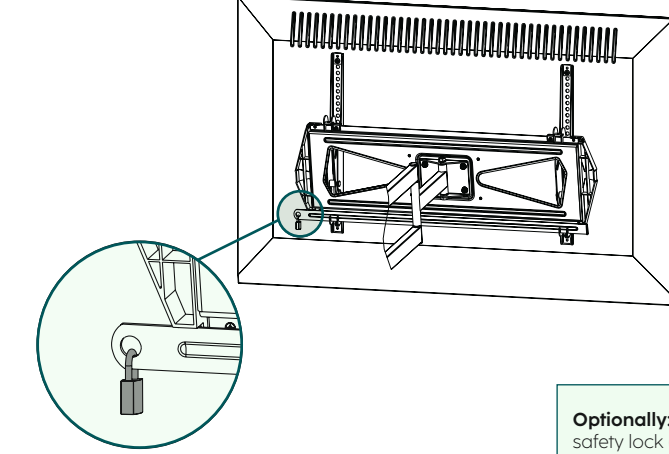
7 Adjustments



8 Securing



9 Add a safety lock



Optionally:
safety lock (not included)