

We are so happy you chose a
hama product.

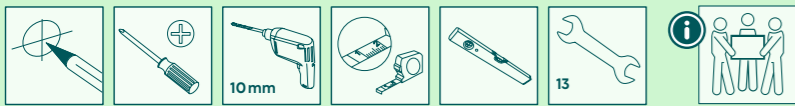
Enjoy using it!

hama



Quick Installation Guide

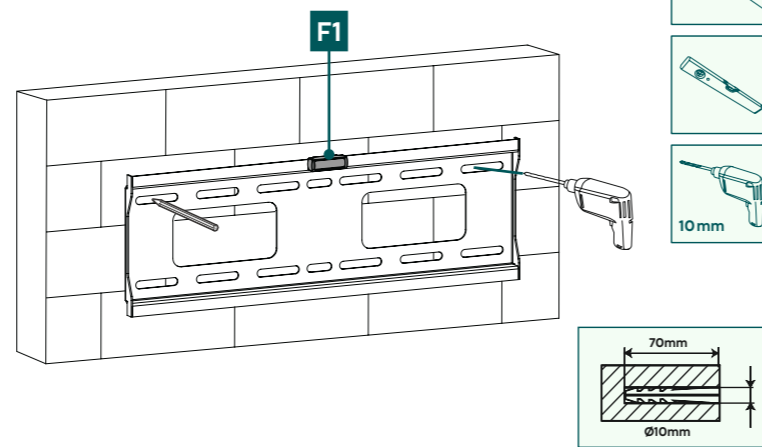
Required tools



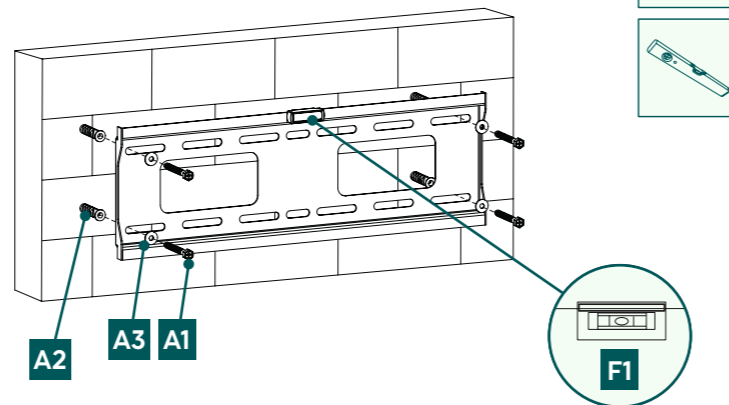
Installation kit

A1		8x60 (x4)	D1		M8x12 (x4)
A2		Ø10x60 (x4)	D2		M8x20 (x4)
A3		M8 (x4)	D3		M8x30 (x4)
B1		M6/M8 (x4)	D4		M8x50 (x4)
B2		Ø8x10 (x4)	E1		M4x12 (x4)
B3		Ø8x20 (x4)	E2		M4x20 (x4)
C1		M6x12 (x4)	F1		(x1)
C2		M6x20 (x4)			

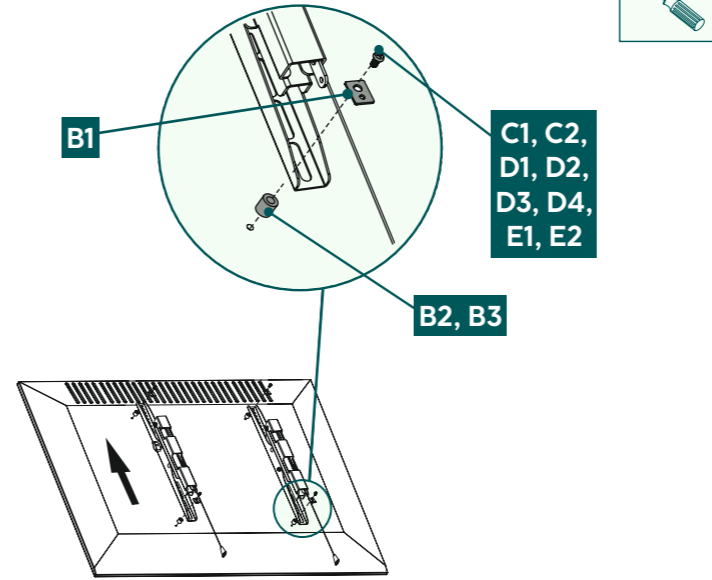
1a Drilling the holes



1b Wall mounting the bracket



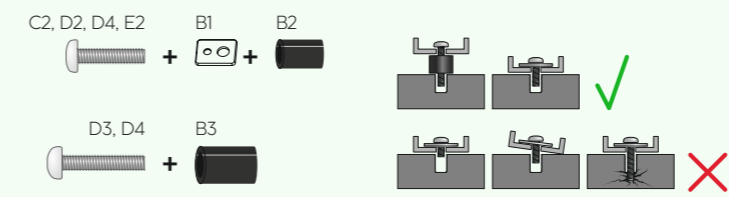
2 Mounting on backside of the TV



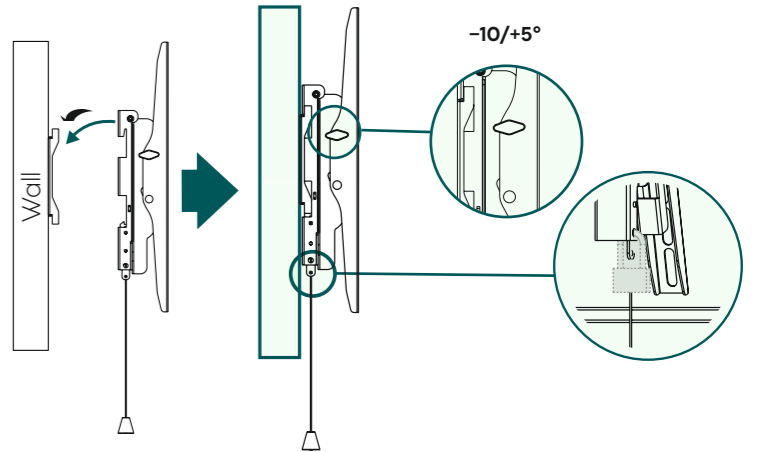
Flat TV backside



Curved TV backside



3 Adjustment & Fixing



Optionally:
safety lock (not included)

Do you need more help?



Scan QR or visit: www.hama.com
00220859 Downloads

