

We are so happy you chose a  
hama product.

***Enjoy using it!***

***hama***



00  
220856

# Quick Installation Guide

## Required tools



## Installation kit

<b>A1</b>	8x60 (x4)	<b>D1</b>	M8x12 (x4)
<b>A2</b>	Ø10x60 (x4)	<b>D2</b>	M8x20 (x4)
<b>A3</b>	M8 (x4)	<b>D3</b>	M8x30 (x4)
<b>B1</b>	M6 (x4)	<b>D4</b>	M8x50 (x4)
<b>B2</b>	Ø8x10 (x4)	<b>E1</b>	M4x12 (x4)
<b>B3</b>	Ø8x20 (x4)	<b>E2</b>	M4x20 (x4)
<b>C1</b>	M6x12 (x4)	<b>F1</b>	(x1)
<b>C2</b>	M6x20 (x4)	<b>F2</b>	(x1)

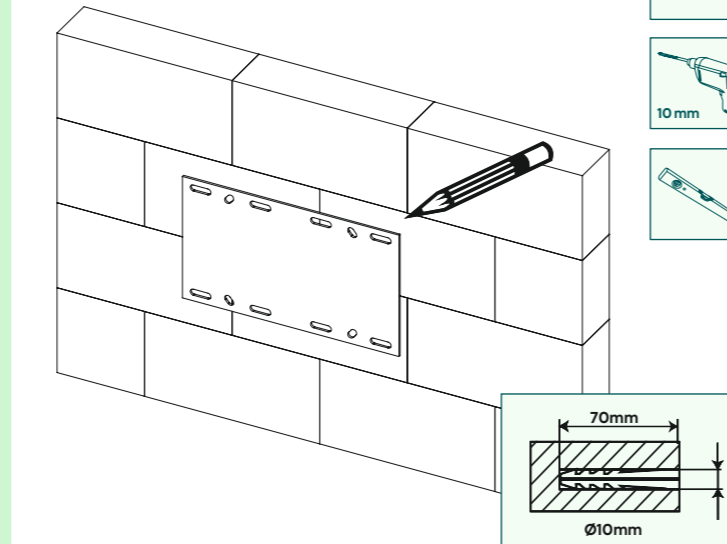
Do you need more help?



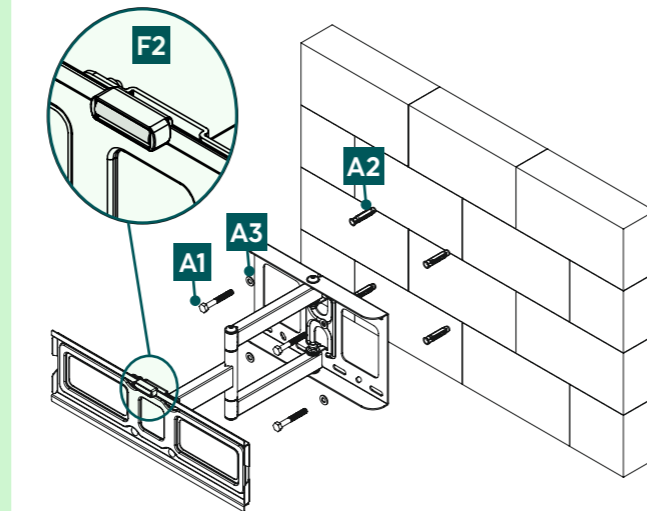
Scan QR or visit: [www.hama.com](http://www.hama.com)  
 ➔ 00220856 ➔ Downloads



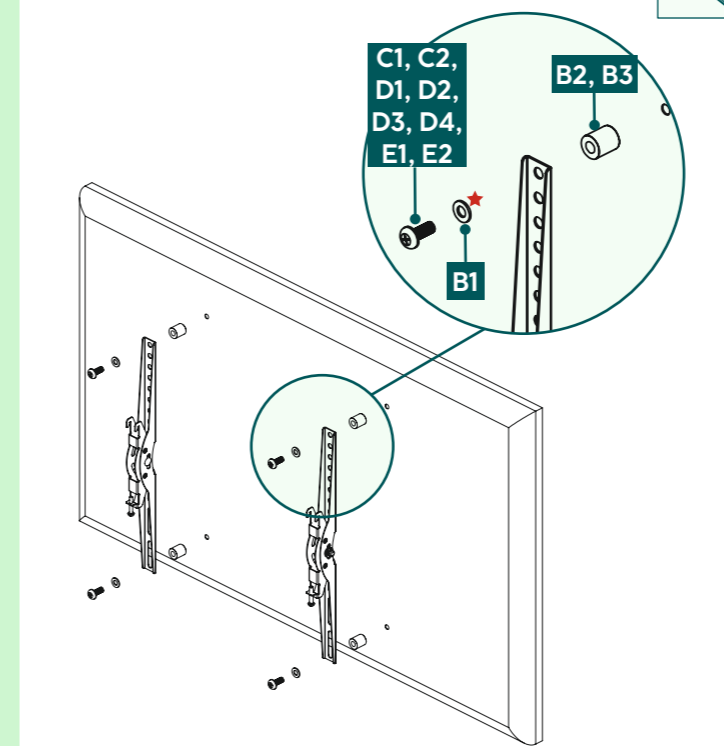
## 1 Drilling the holes



## 2 Wall mounting the bracket



## 3 Mounting on backside of the TV



### Flat TV backside

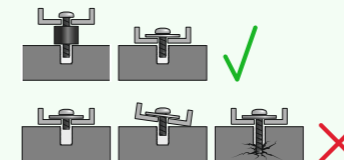
C1, D1, D4, E1 + B1

### Curved TV backside

C2, D2, D4, E2 + B1 + B2

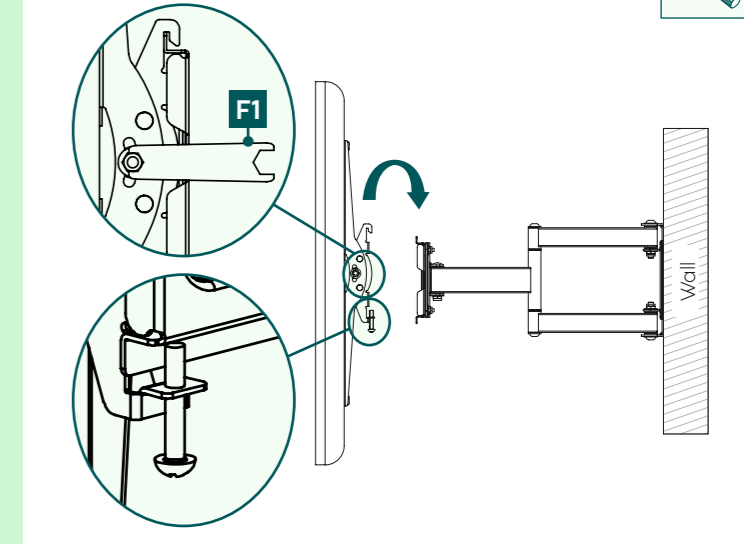
D3, D4 + B3

M8x50 + Ø8x5 = M8x45 (D4)



★ You do not need a washer for the D-screws

## 4 Fixing the wall bracket



## 5 Adjustments

