

We are so happy you chose a
hama product.

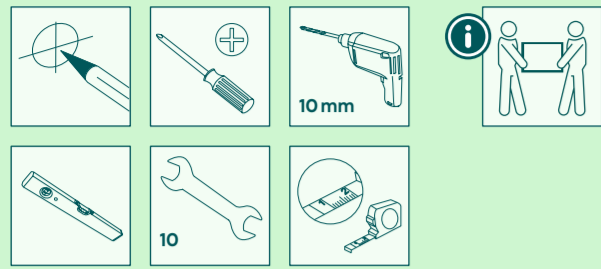
Enjoy using it!

hama



Quick Installation Guide

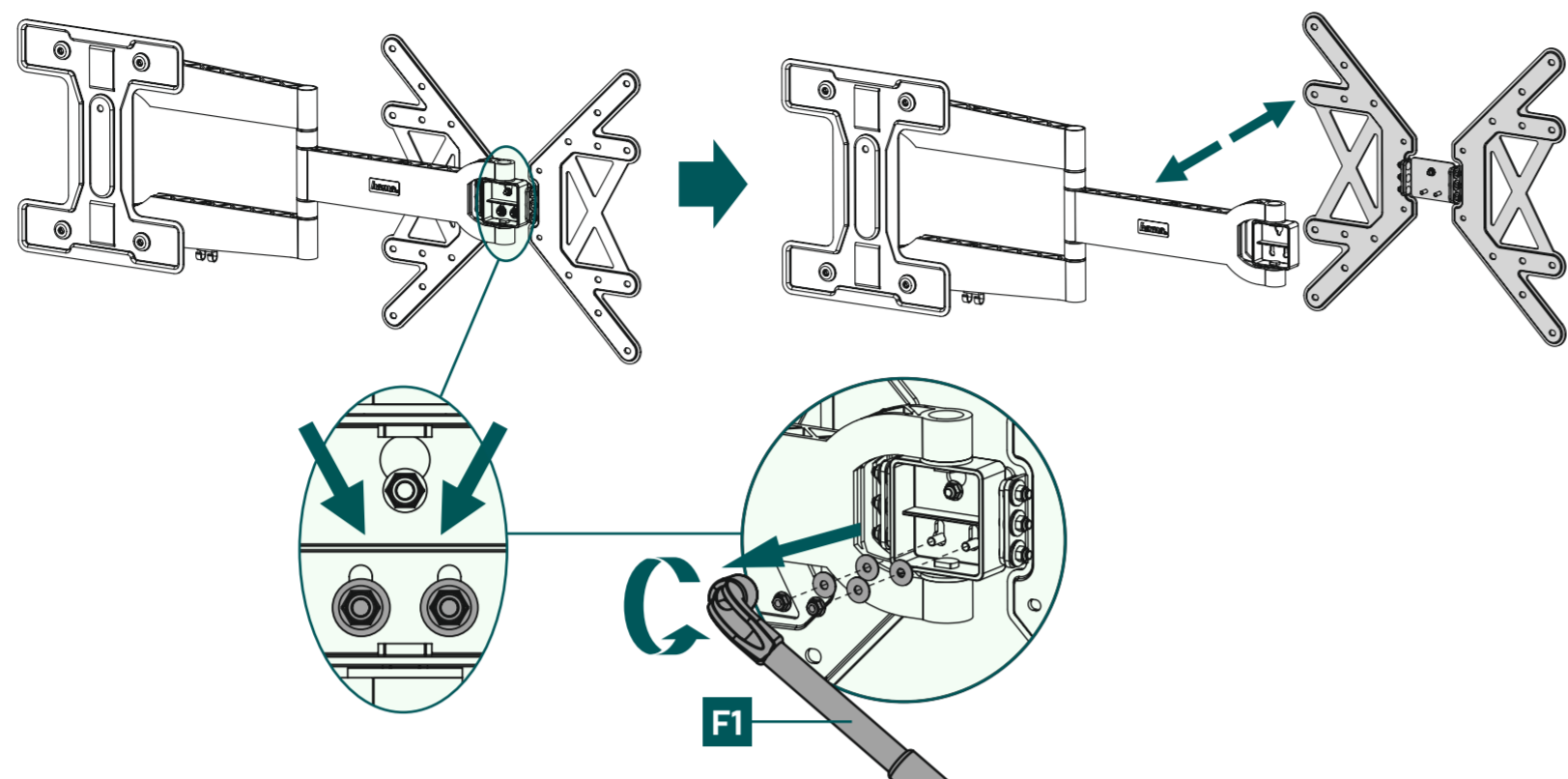
Required tools



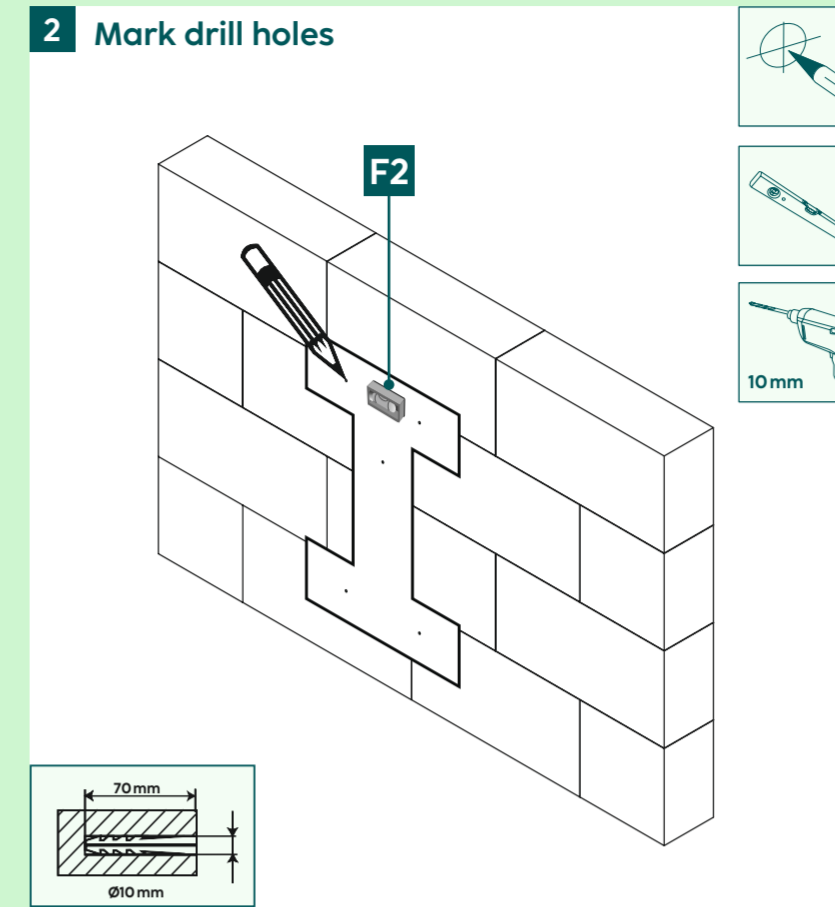
Installation kit

A1		8x65 (x4)
A2		Ø10x60 (x4)
A3		M8 (x4)
B1		M6 (x4)
B2		Ø8x10 (x4)
B3		Ø8x20 (x4)
C1		M6x12 (x4)
C2		M6x20 (x4)
D1		M8x12 (x4)
D2		M8x20 (x4)
D3		M8x30 (x4)
D4		M8x50 (x4)
E1		M4x12 (x4)
E2		M4x20 (x4)
F1		(x1)
F2		(x1)
F3		(x4)

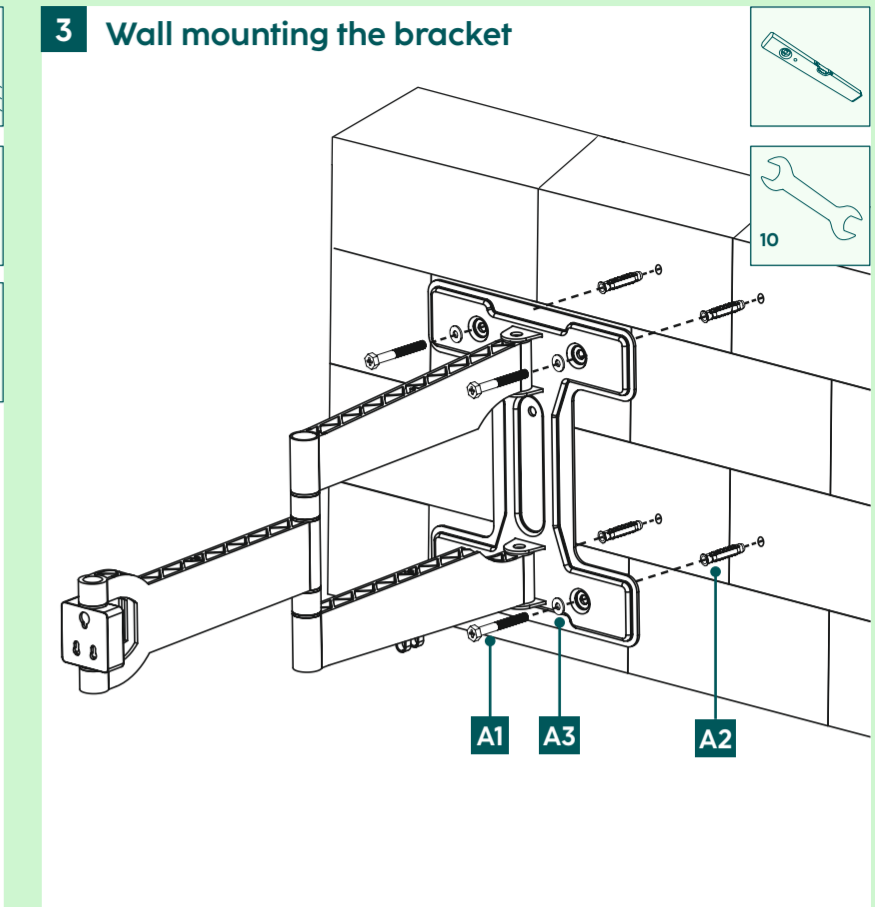
1 Preparing the bracket



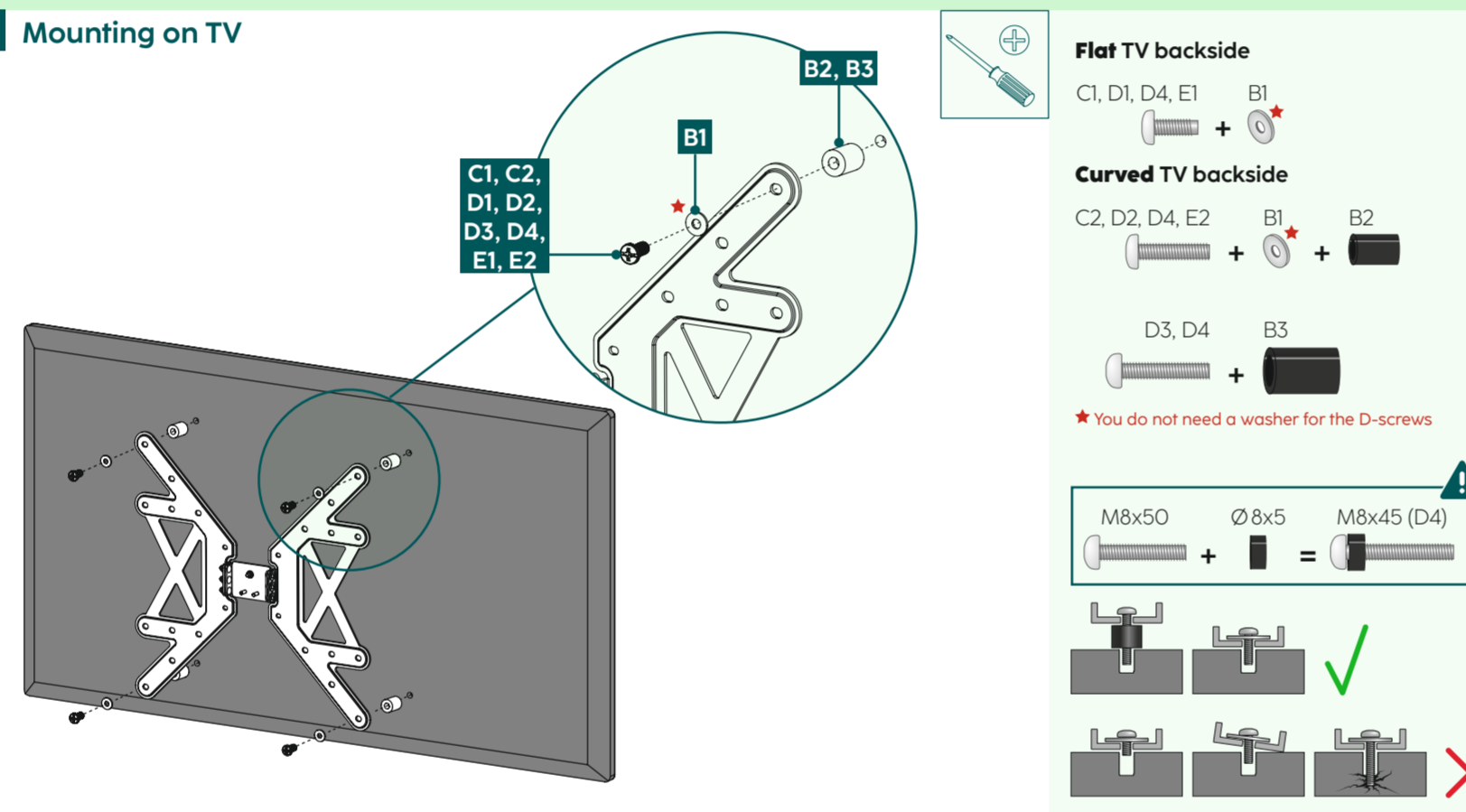
2 Mark drill holes



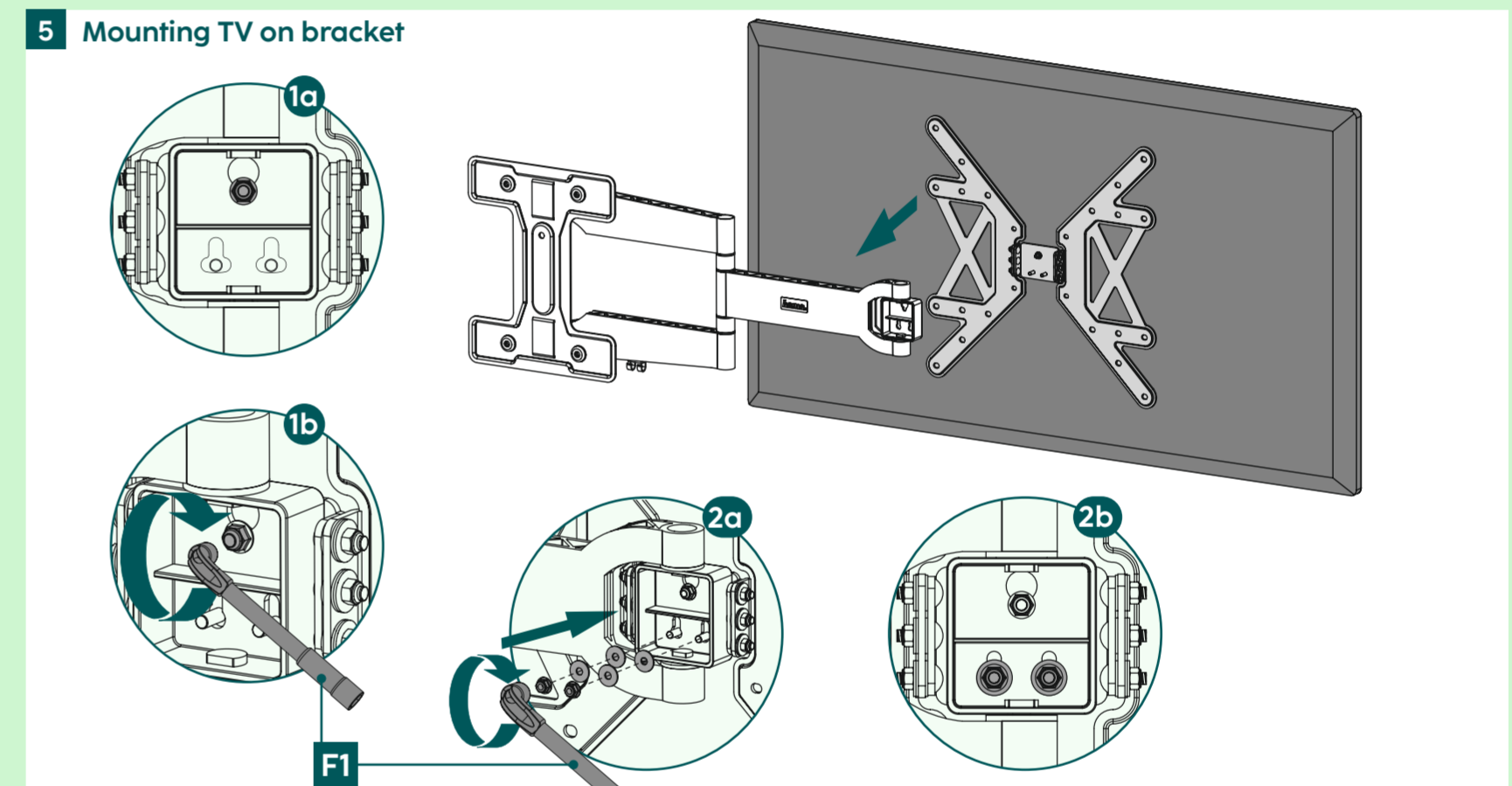
3 Wall mounting the bracket



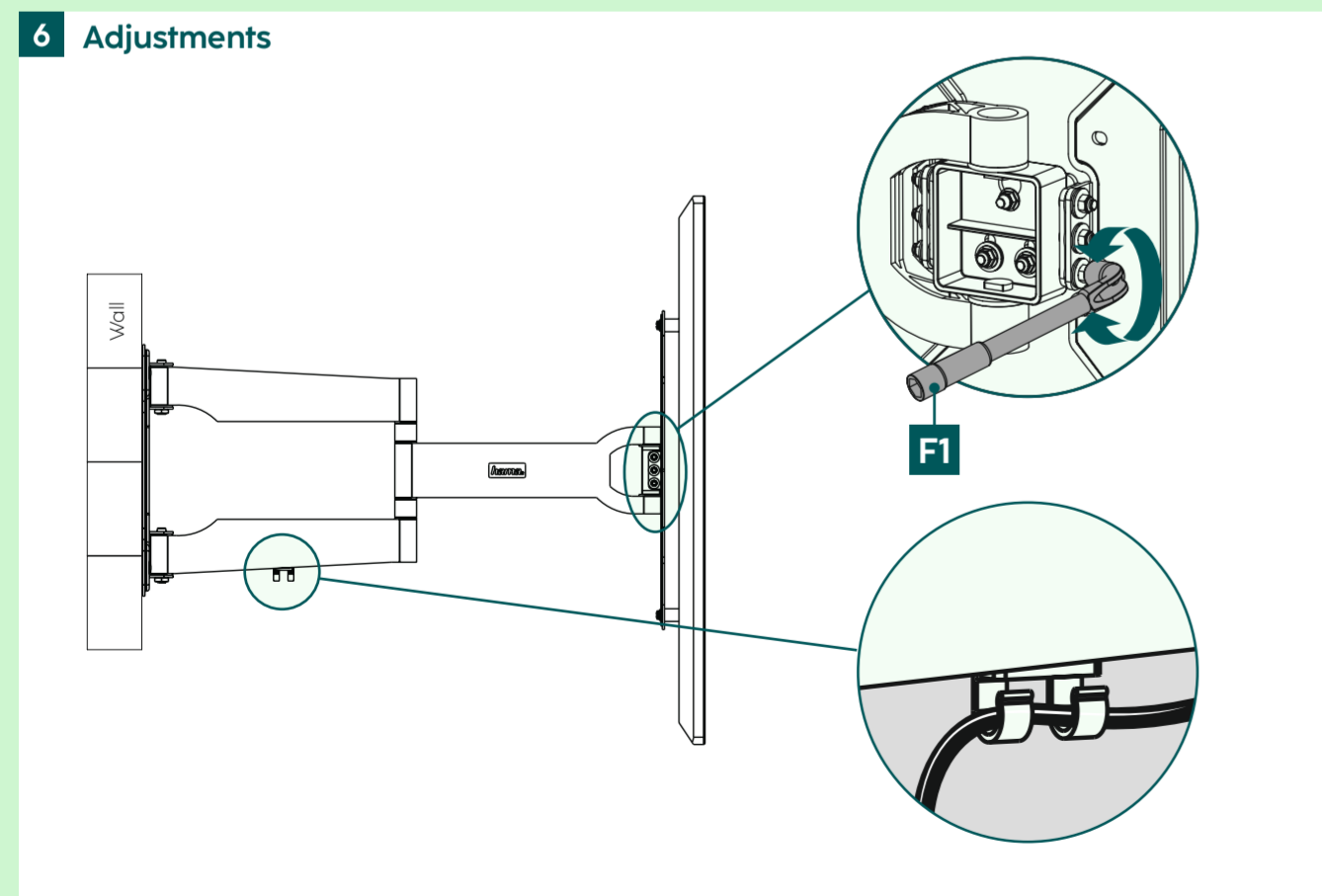
4 Mounting on TV



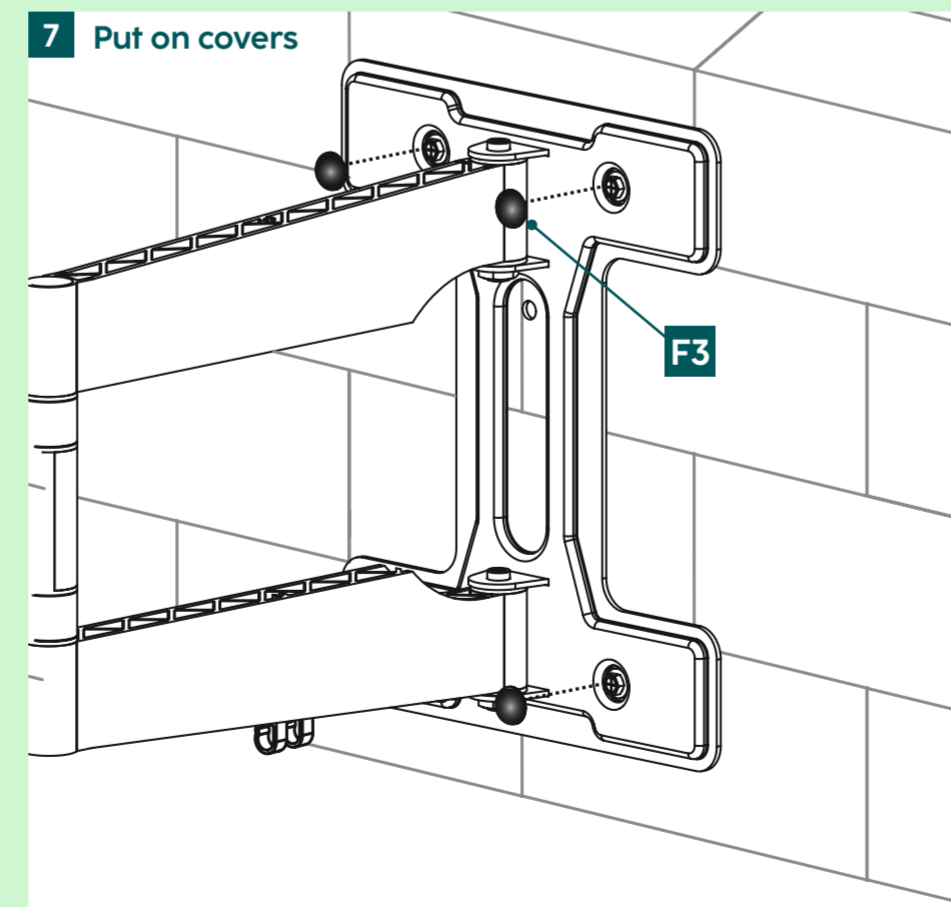
5 Mounting TV on bracket



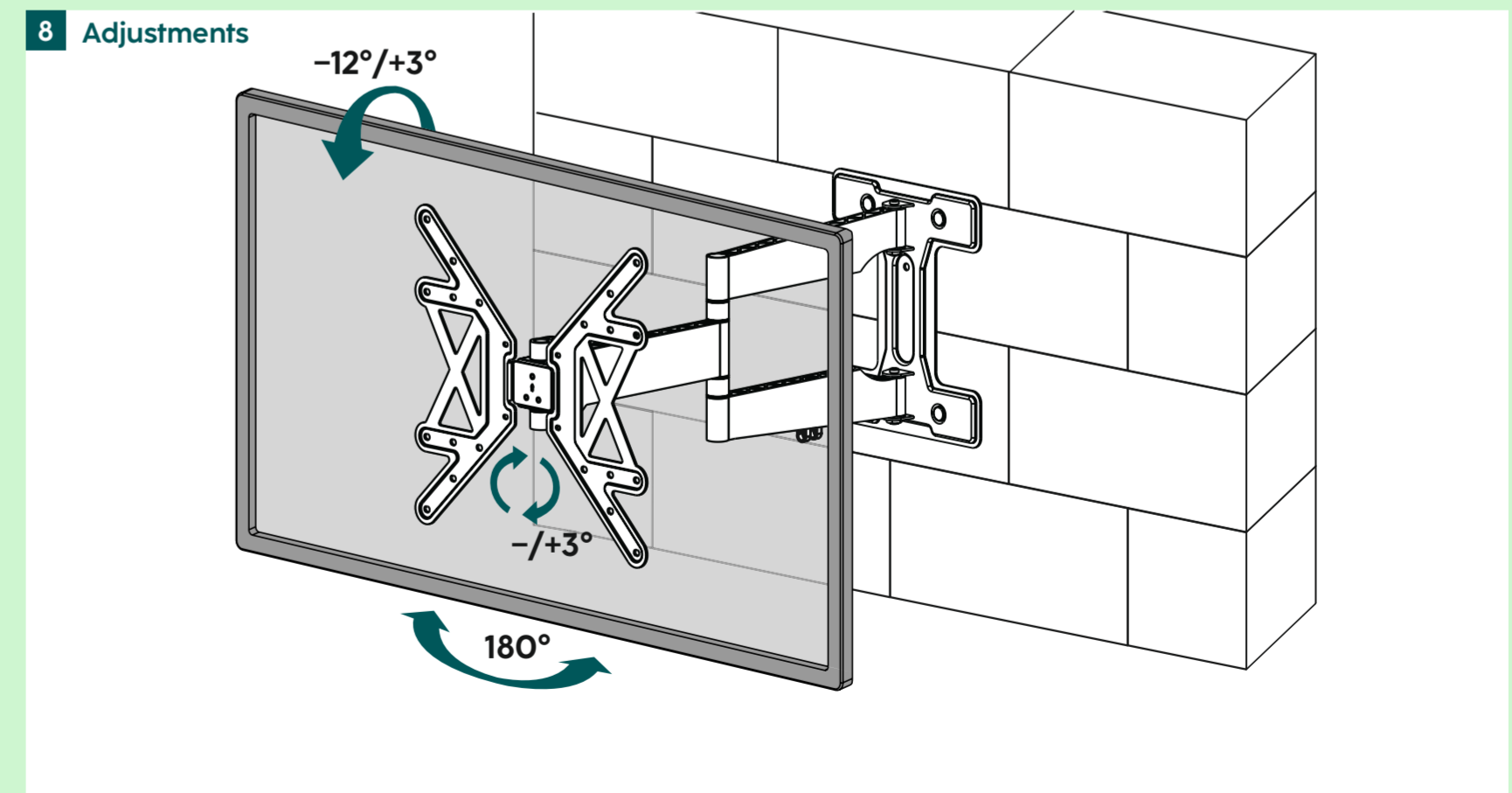
6 Adjustments



7 Put on covers



8 Adjustments



Do you need more help?



Scan QR or visit:
support.hama.com/00220854

