

We are so happy you chose a
hama product.

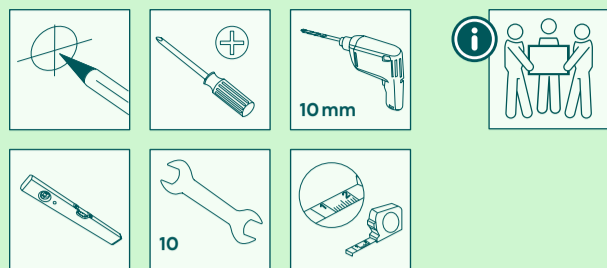
Enjoy using it!

hama

Quick Installation Guide



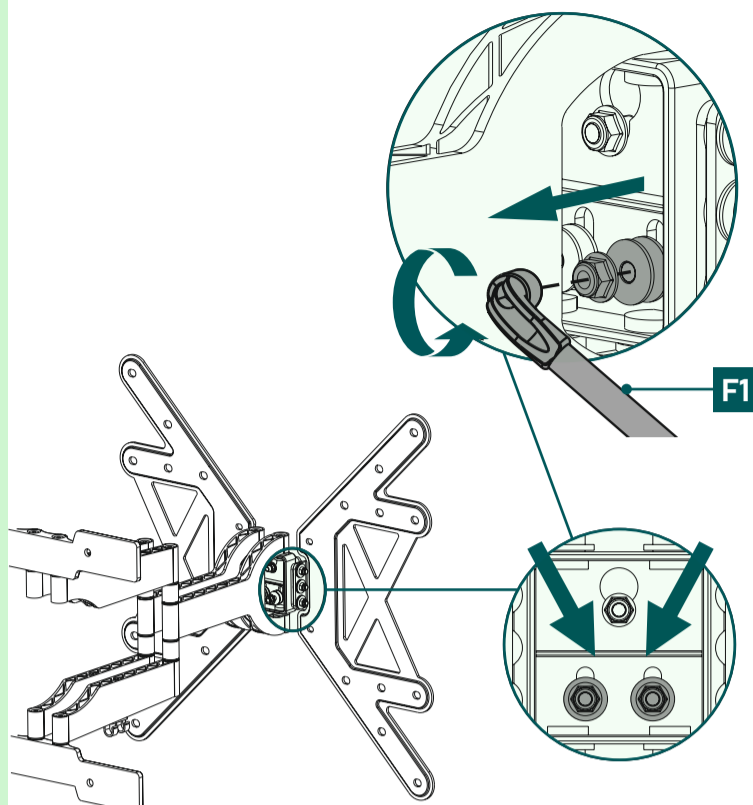
Required tools



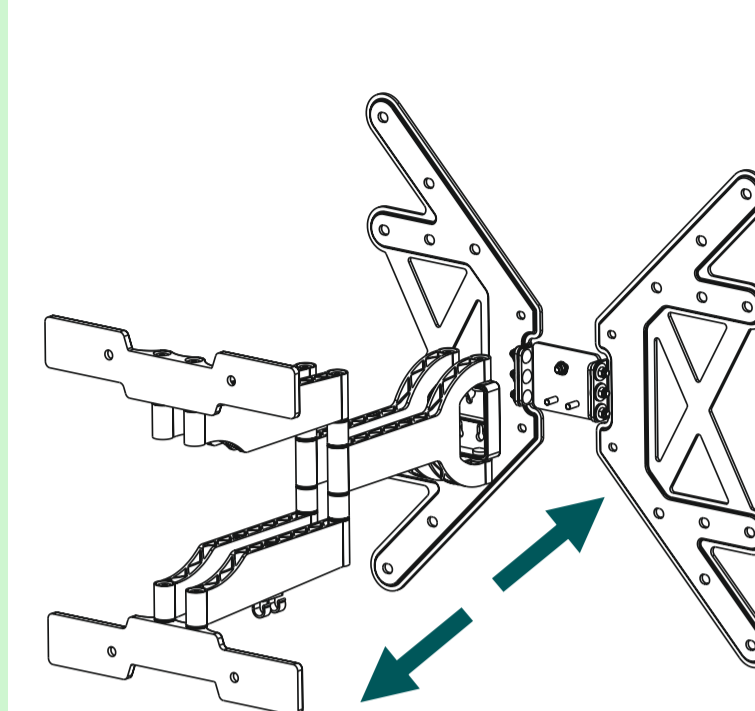
Installation kit

A1		8x60 (x4)
A2		Ø10x60 (x4)
A3		M8 (x4)
B1		M6 (x4)
B2		Ø8x10 (x4)
B3		Ø8x20 (x4)
C1		M6x12 (x4)
C2		M6x20 (x4)
D1		M8x12 (x4)
D2		M8x20 (x4)
D3		M8x30 (x4)
D4		M8x50 (x4)
F1		(x1)
F2		(x1)
F3		(x4)
F4		(x2)
F5		(x2)
F6		(x8)
F7		(x1)

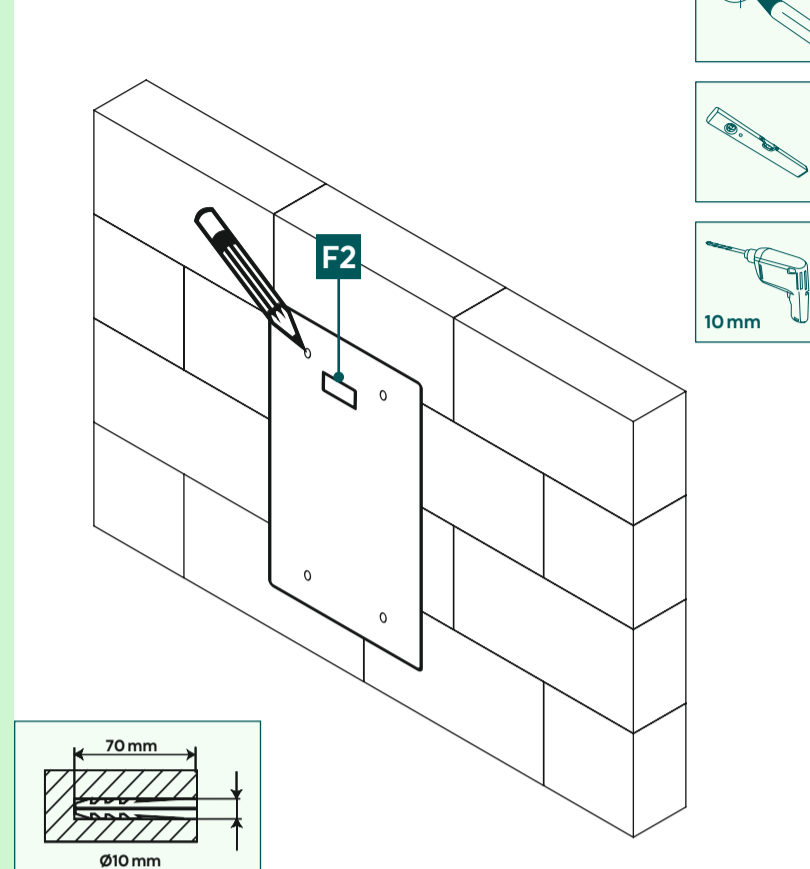
1 Loosening the screw



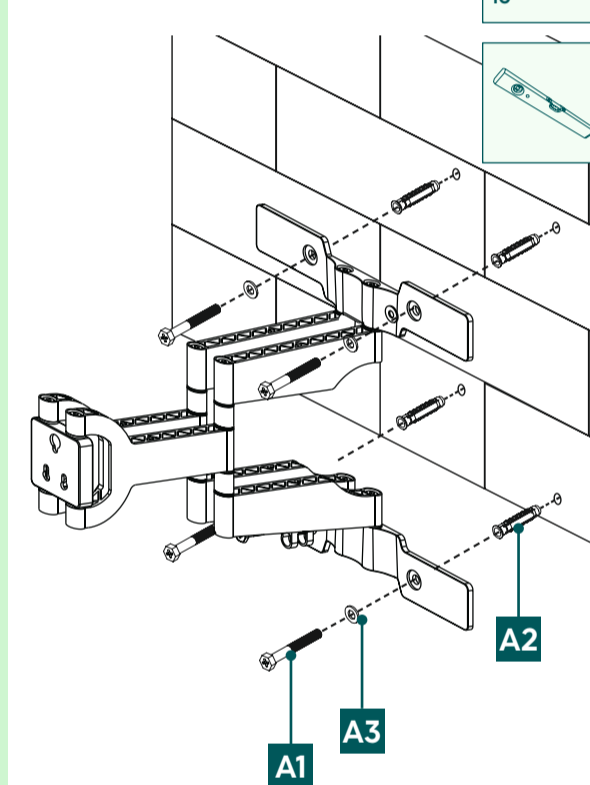
2 Separate the bracket



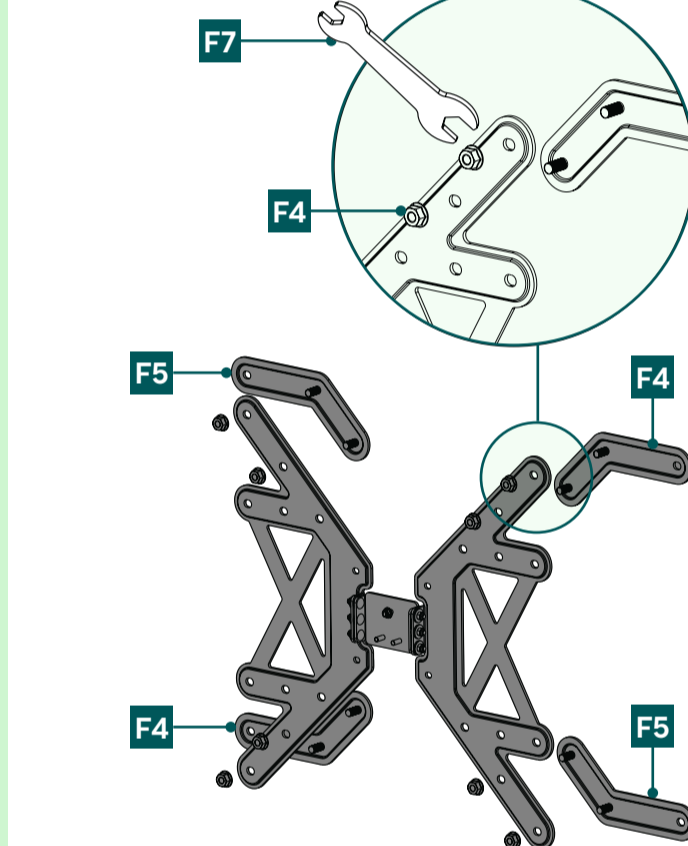
3 Mark drill holes



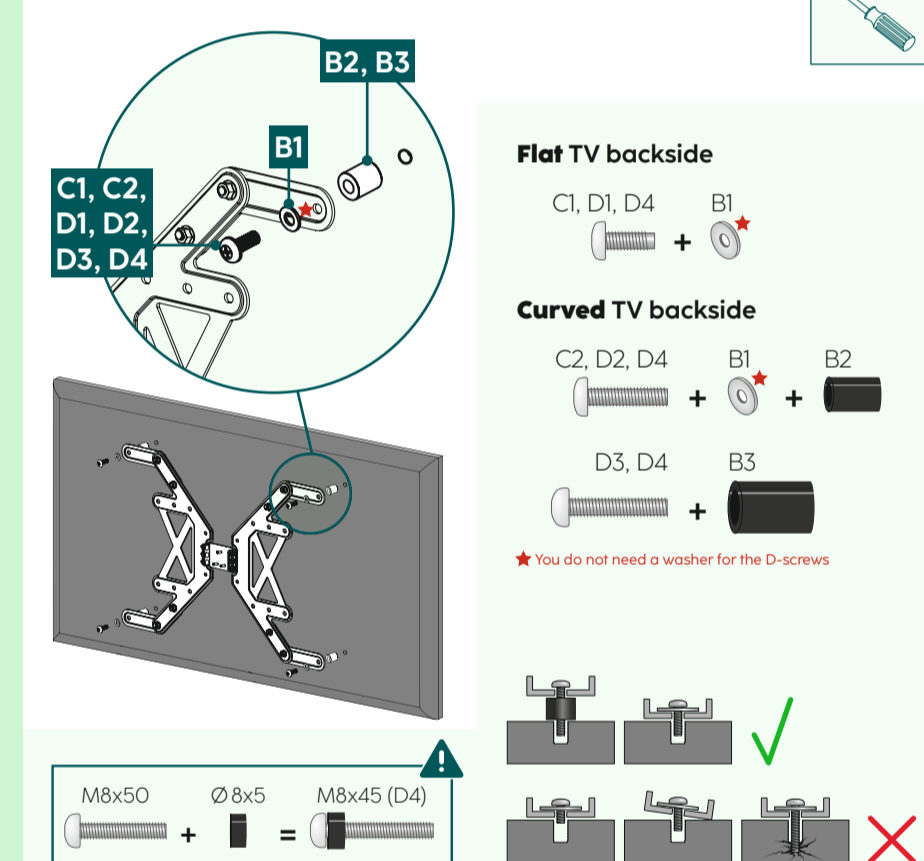
4 Wall mounting the bracket



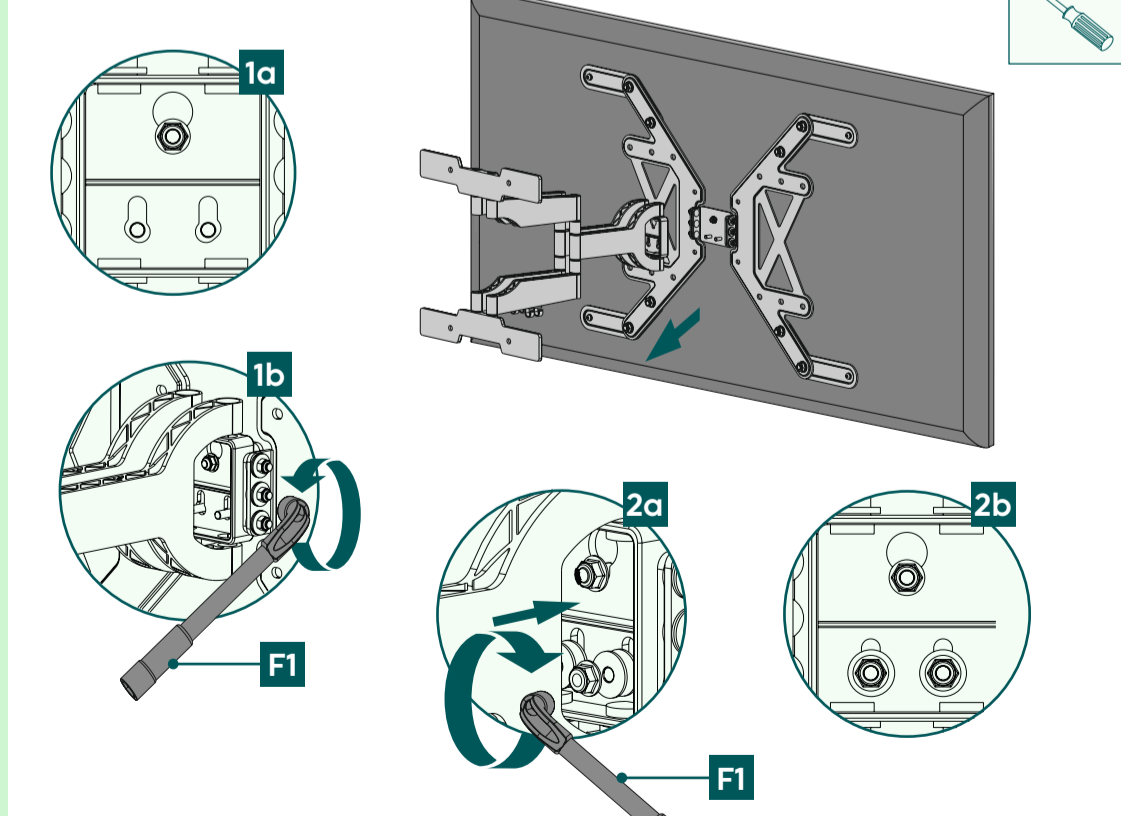
5 Mounting on TV



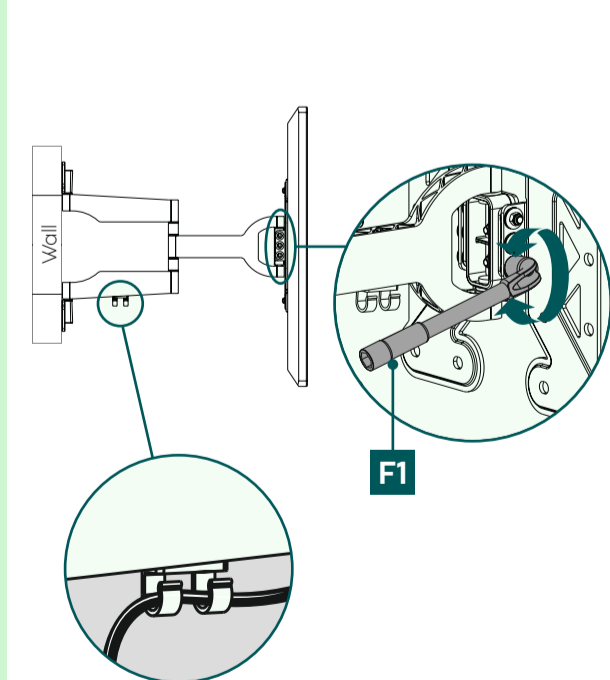
6 Mounting on TV



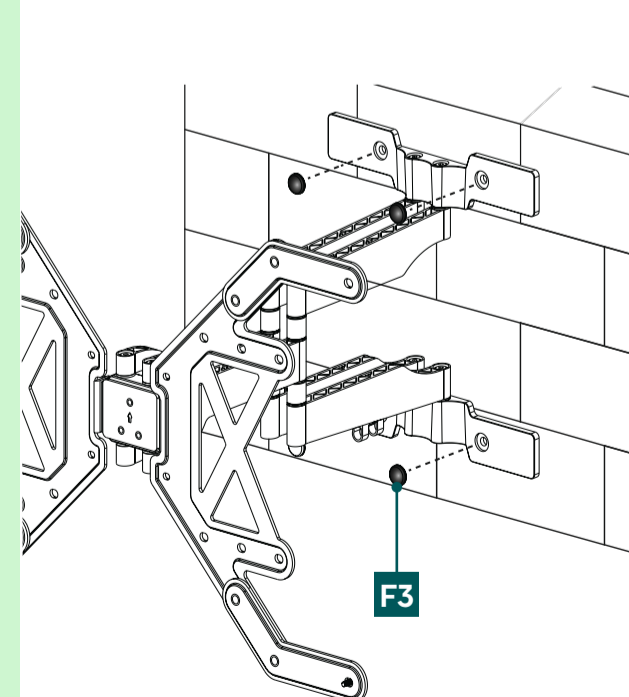
7 Mounting TV on bracket



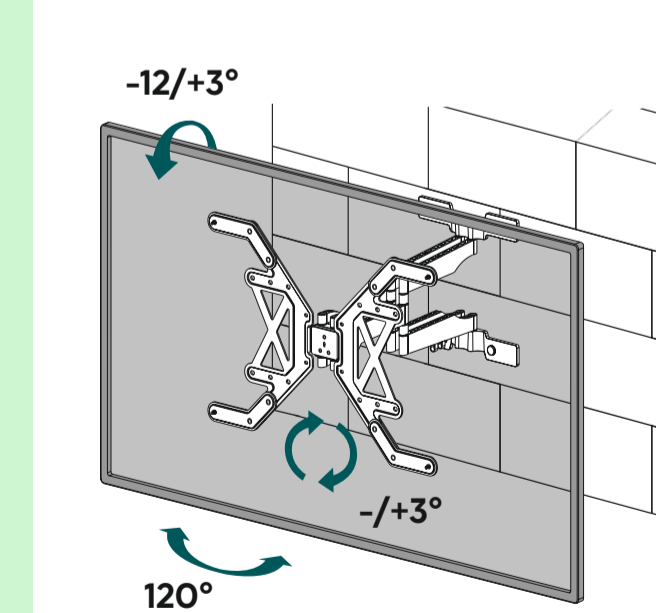
8 Adjustments



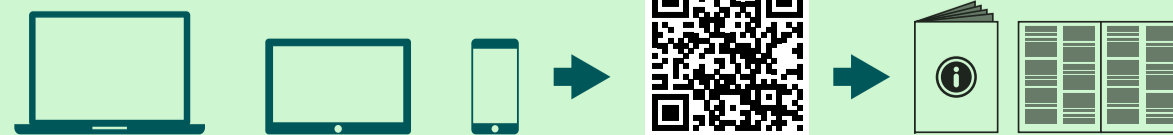
9 Put on covers



10 Adjustments



??
Do you need more help?



Scan QR or visit: www.hama.com
→ Q → 00220850 → Downloads