

We are so happy you chose a
hama product.

Enjoy using it!

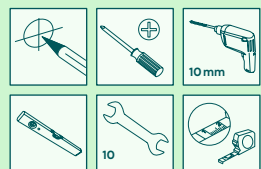
hama



Quick Installation Guide

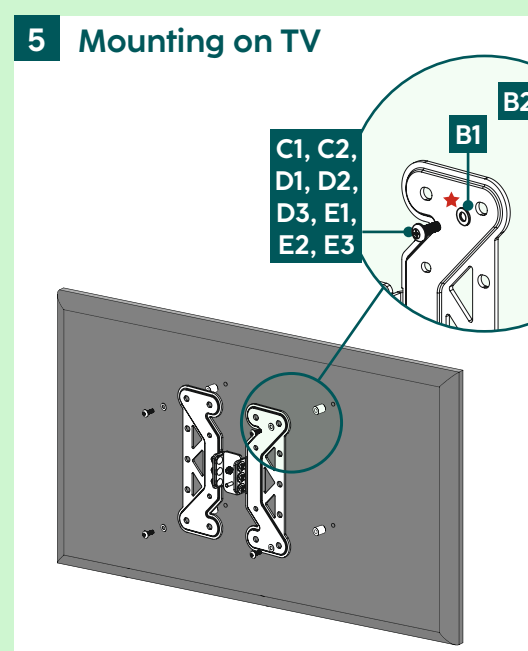
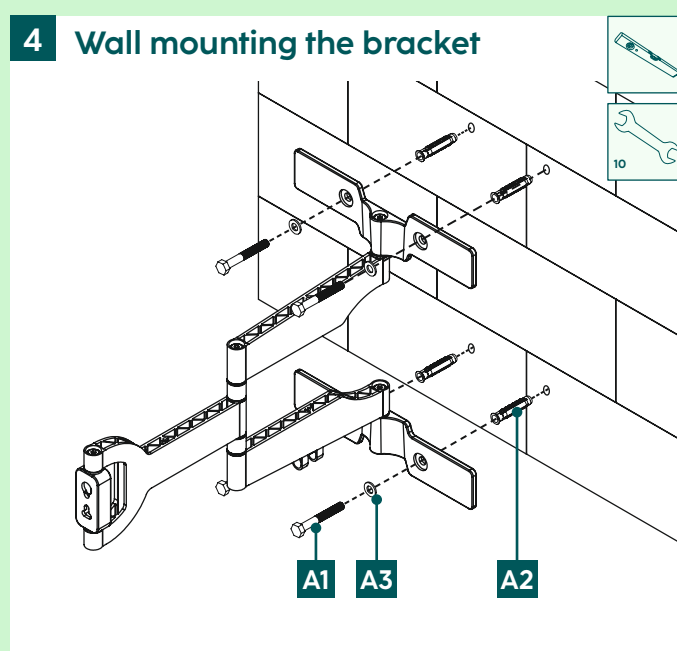
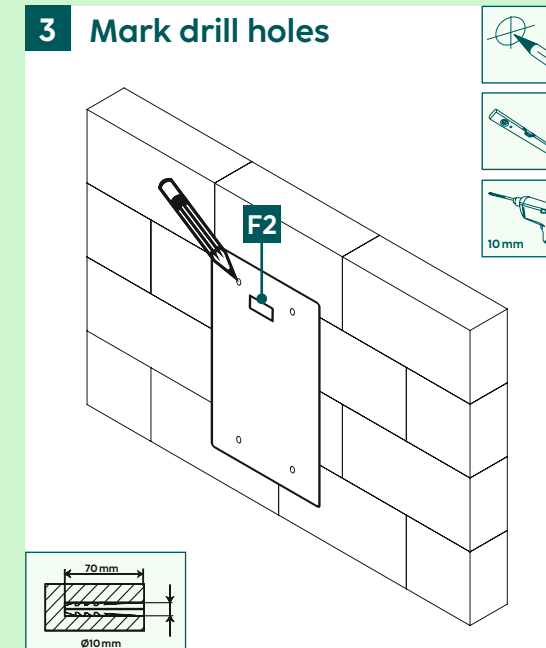
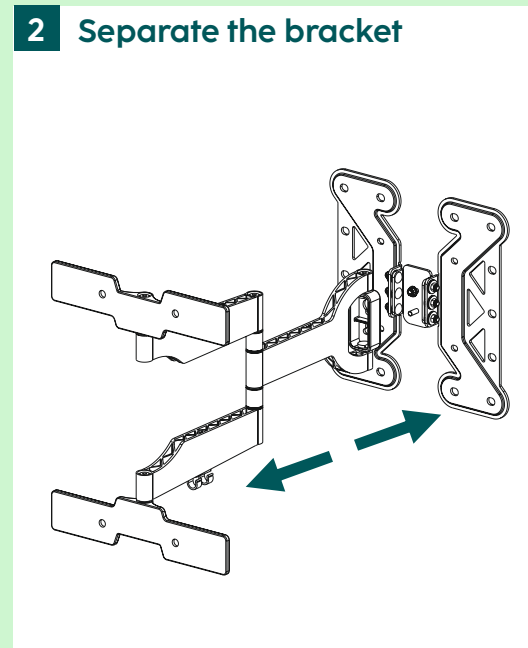
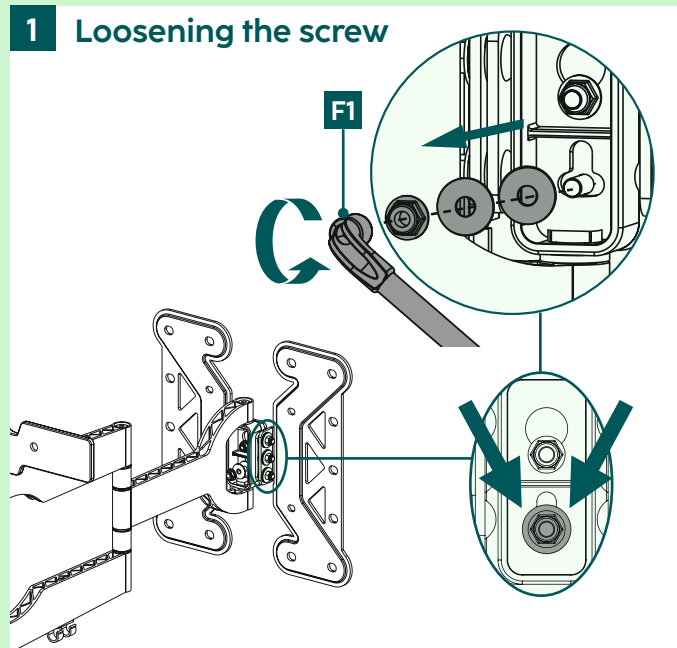


Required tools



Installation kit

A1		8x65 (x4)
A2		Ø10x60 (x4)
A3		M8 (x4)
B1		M6 (x4)
B2		Ø8x10 (x4)
B3		Ø8x20 (x4)
C1		M6x12 (x4)
C2		M6x20 (x4)
D1		M8x12 (x4)
D2		M8x20 (x4)
D3		M8x30 (x4)
E1		M4x12 (x4)
E2		M4x20 (x4)
E3		M4x45 (x4)
F1		(x1)
F2		(x1)
F3		(x4)

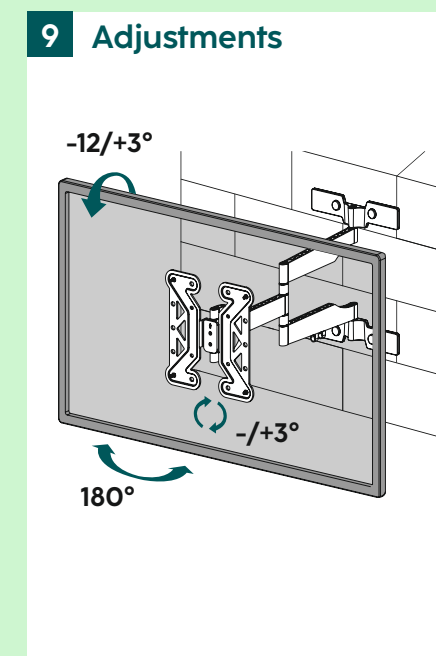
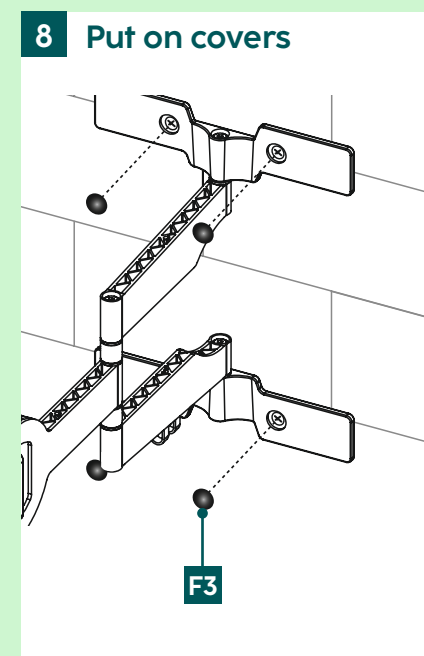
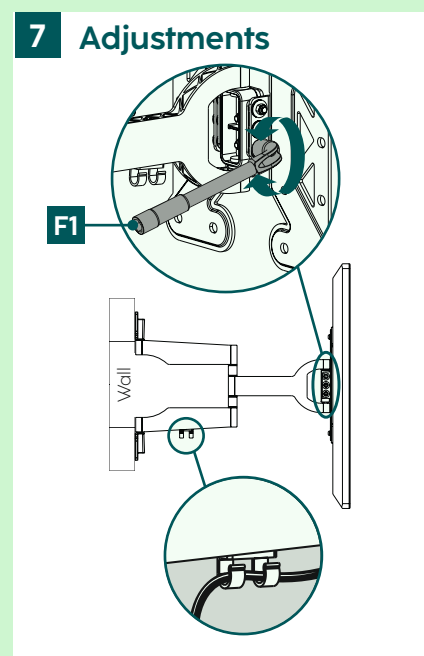
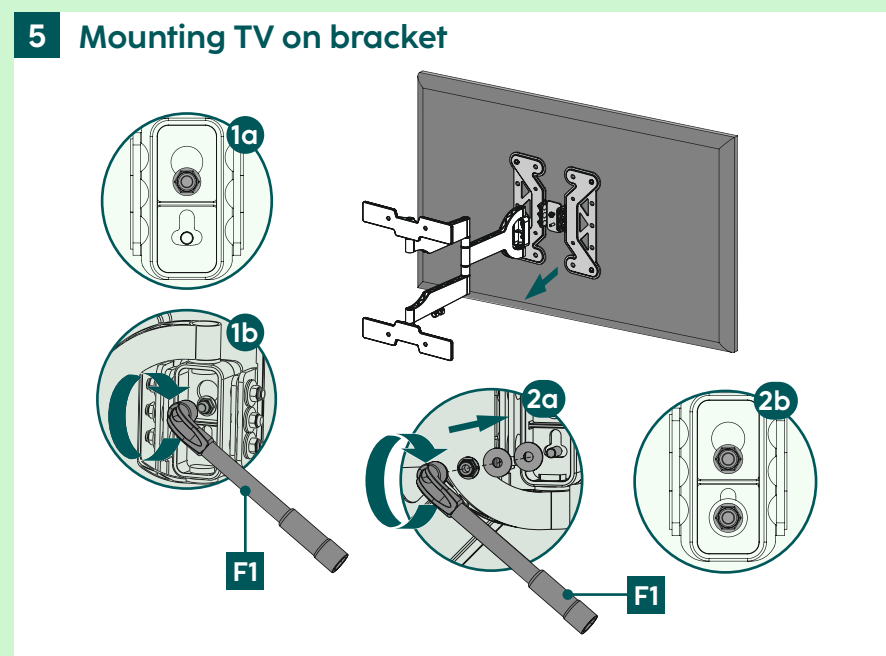


Flat TV backside
C1, D1, E1, E3 + B1

Curved TV backside
C2, D2, E2, E3 + B1 + B2
D3, E3 + B1 + B3

★ You do not need a washer for the D-screws

M8x50 + Ø8x5 = M8x45 (D4)



??
Do you need more help?



Scan QR or visit:
support.hama.com/00220848

