

We are so happy you chose a  
hama product.

***Enjoy using it!***

***hama***



# Quick Installation Guide

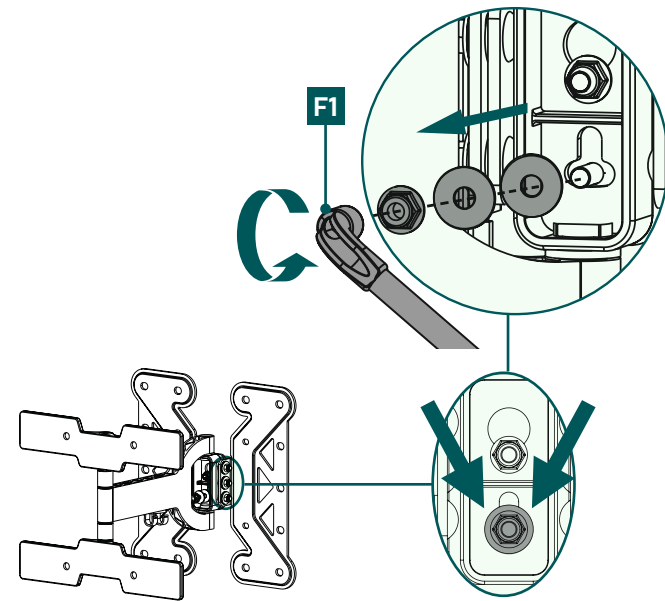
## Required tools



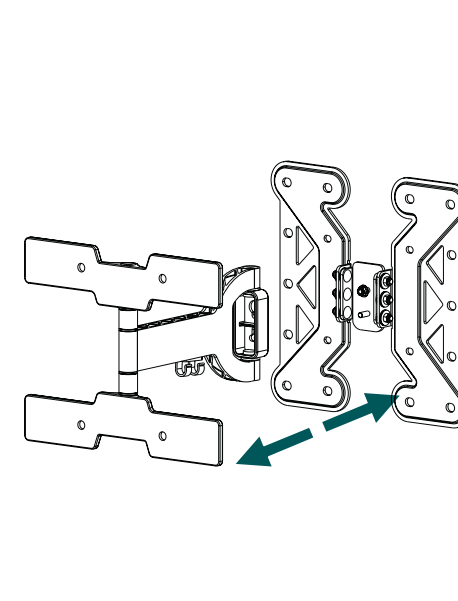
## Installation kit

|           |             |           |            |
|-----------|-------------|-----------|------------|
| <b>A1</b> | 8x65 (x4)   | <b>D2</b> | M8x20 (x4) |
| <b>A2</b> | Ø10x60 (x4) | <b>D3</b> | M8x30 (x4) |
| <b>A3</b> | M8 (x4)     | <b>E1</b> | M4x12 (x4) |
| <b>B1</b> | M6 (x4)     | <b>E2</b> | M4x20 (x4) |
| <b>B2</b> | Ø8x10 (x4)  | <b>E3</b> | M4x45 (x4) |
| <b>B3</b> | Ø8x20 (x4)  | <b>F1</b> | (x1)       |
| <b>C1</b> | M6x12 (x4)  | <b>F2</b> | (x1)       |
| <b>C2</b> | M6x20 (x4)  | <b>F3</b> | (x4)       |
| <b>D1</b> | M8x12 (x4)  |           |            |

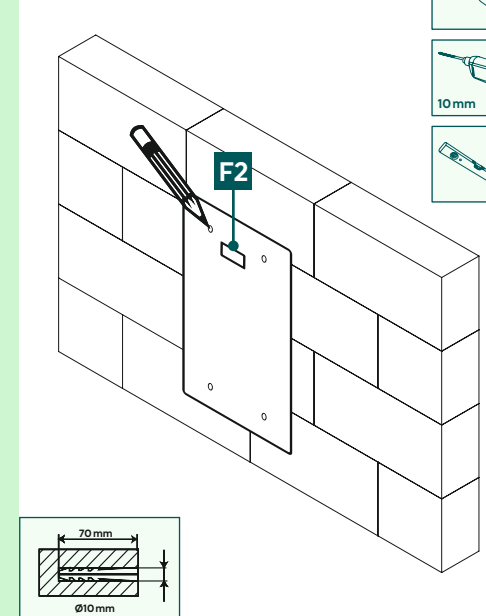
### 1 Loosening the screw



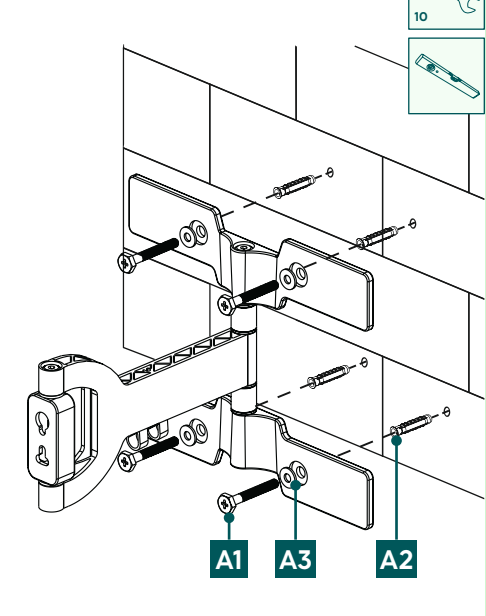
### 2 Separate the bracket



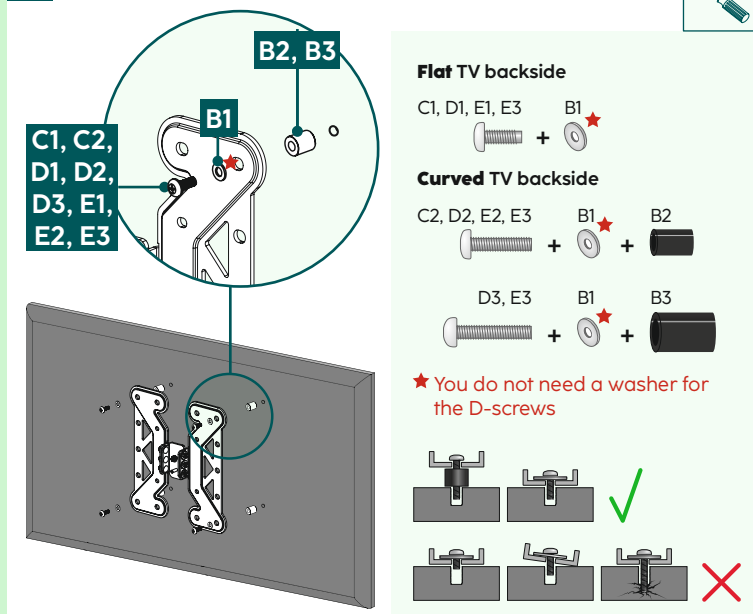
### 3 Mark drill holes



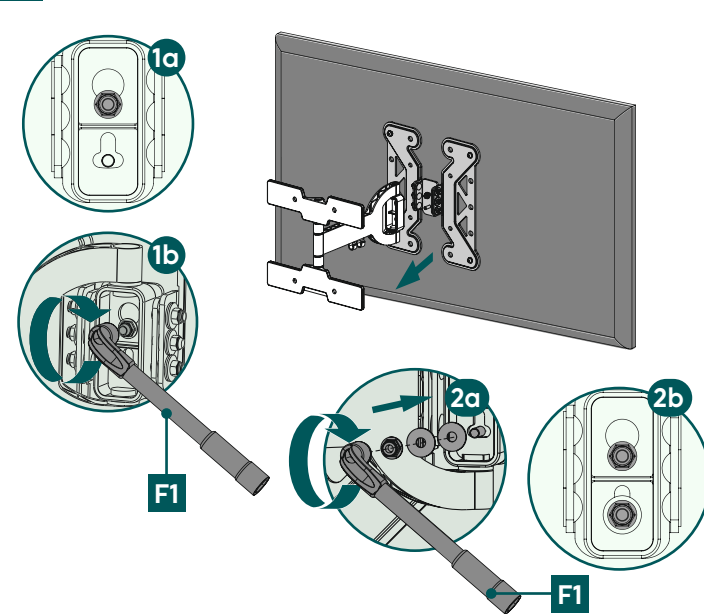
### 4 Wall mounting the bracket



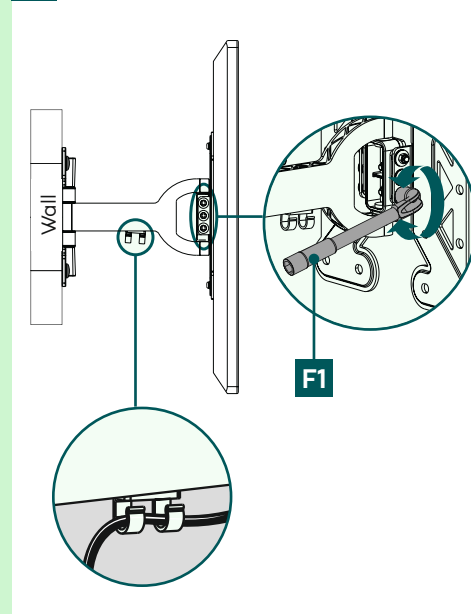
### 5 Mounting on TV



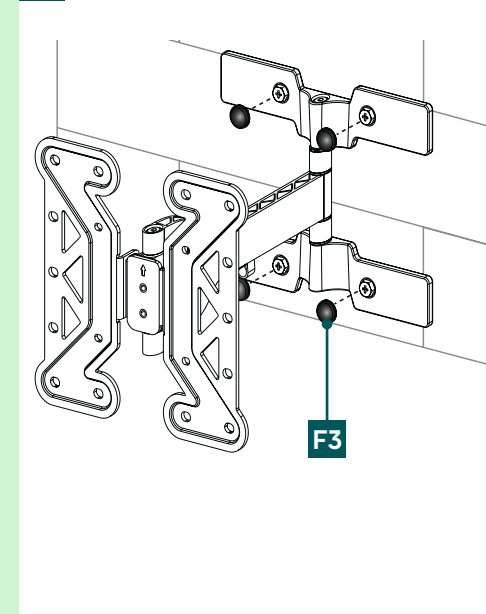
### 6 Mounting TV on bracket



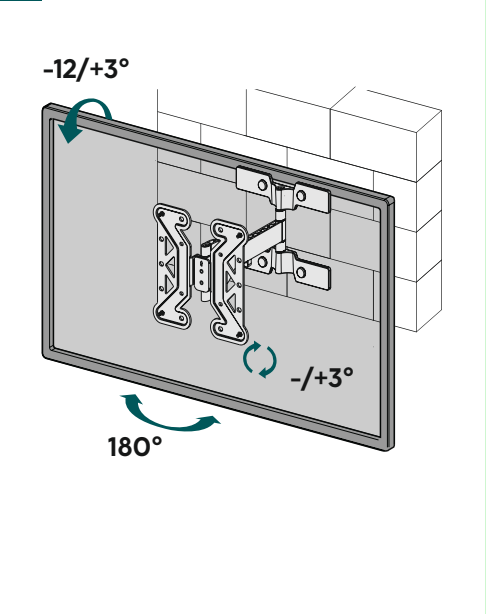
### 7 Adjustments



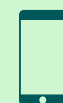
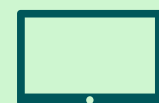
### 8 Put on covers



### 9 Adjustments



??  
Do you need more help?



Scan QR or visit:  
[support.hama.com/00220847](http://support.hama.com/00220847)

