

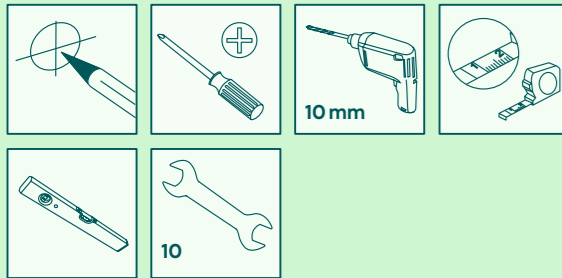
We are so happy you chose a
hama product.

Enjoy using it!



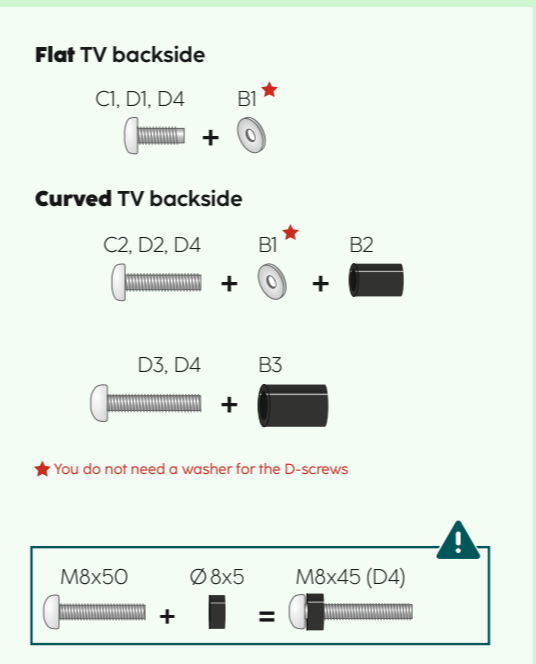
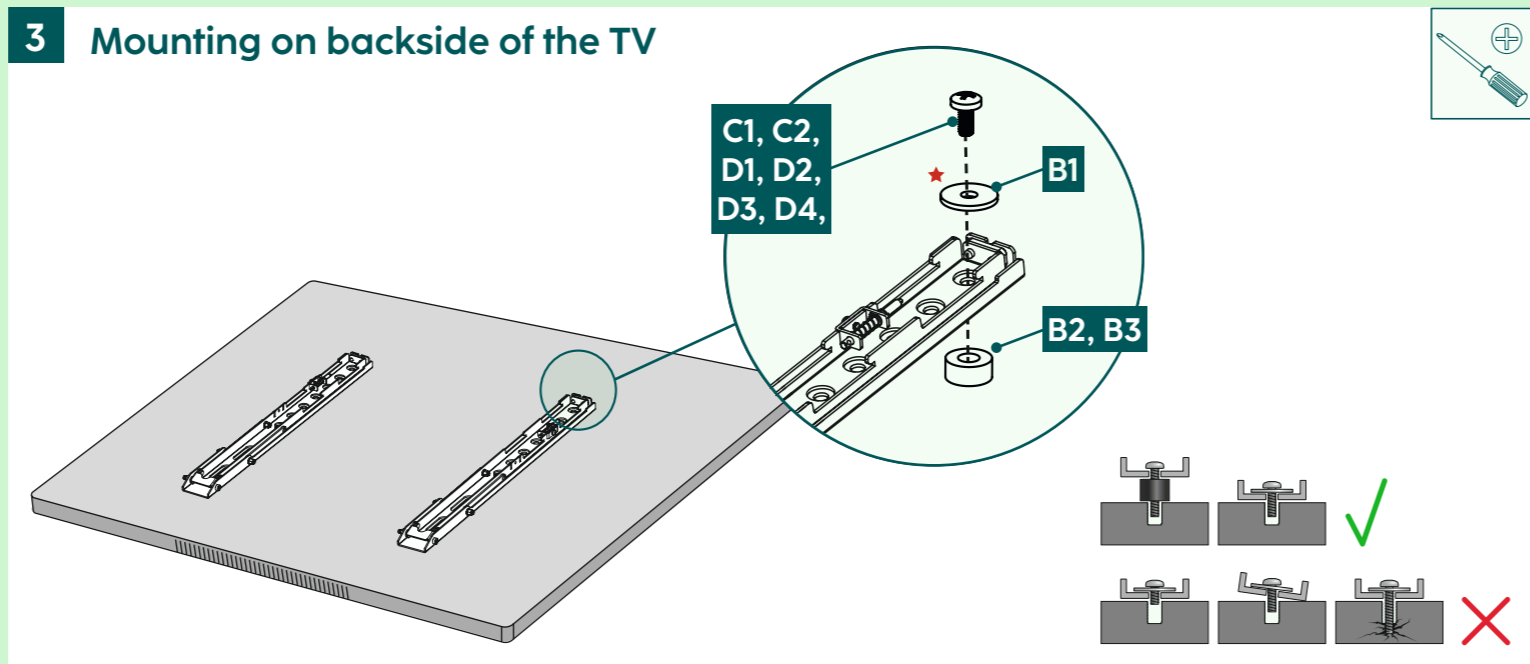
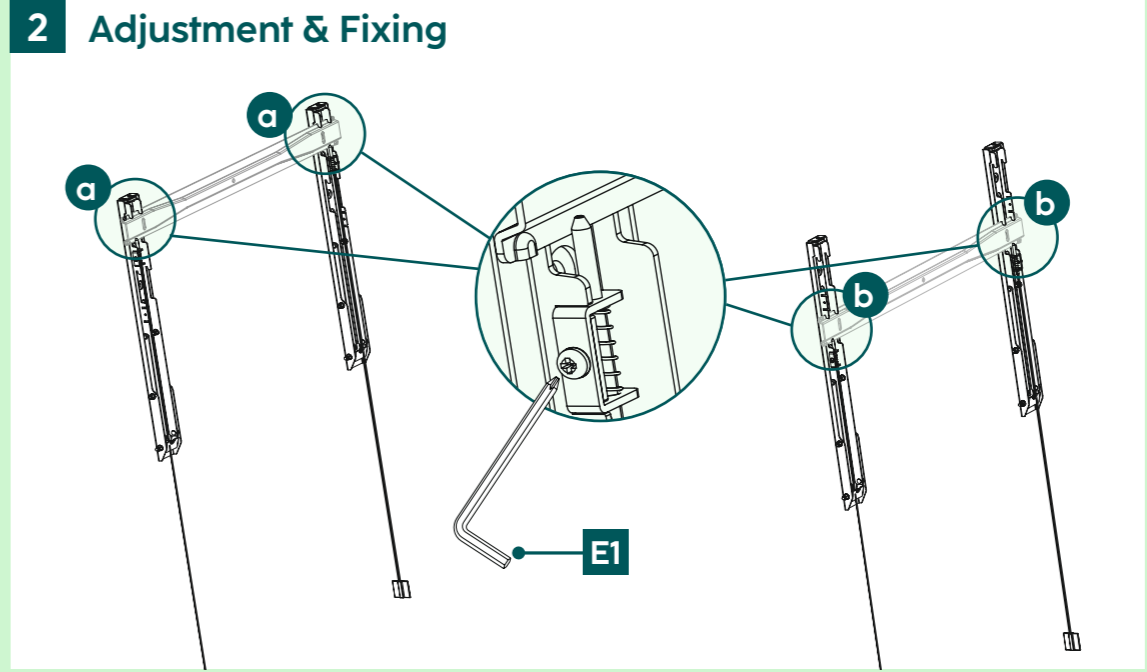
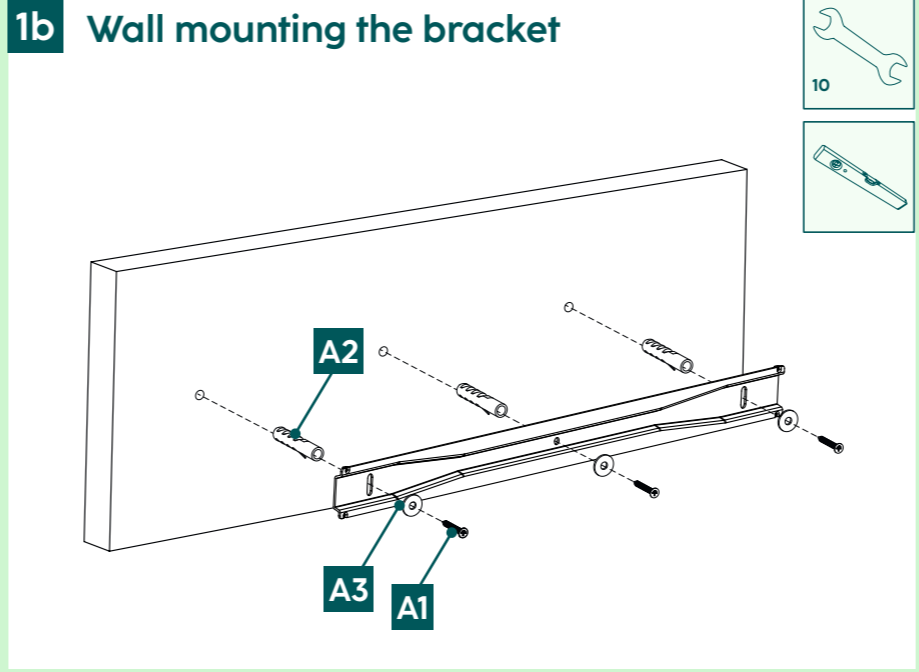
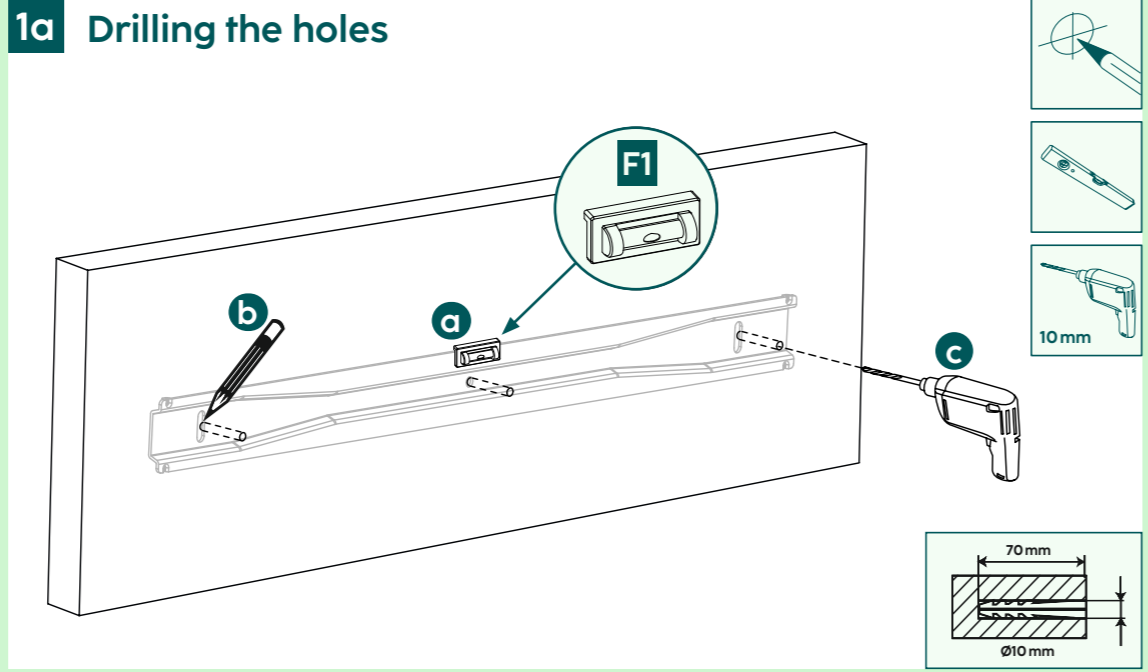
Quick Installation Guide

Required tools

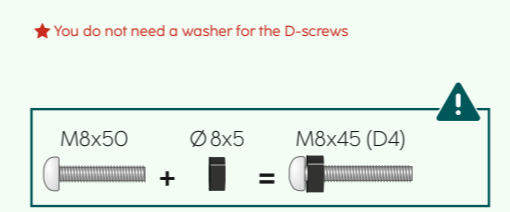


Installation kit

A1		8x70 (x3)	C2		M6x20 (x4)
A2		Ø10x60 (x3)	D1		M8x12 (x4)
A3		M8 (x3)	D2		M8x20 (x4)
B1		M8 (x4)	D3		M8x30 (x4)
B2		Ø8x10 (x4)	D4		M8x50 (x4)
B3		Ø8x20 (x4)	E1		(x1)
C1		M6x12 (x4)	F1		(x1)



- Flat TV backside**
C1, D1, D4 + B1
- Curved TV backside**
C2, D2, D4 + B1 + B2
D3, D4 + B3
- ★ You do not need a washer for the D-screws



Do you need more help?



Scan QR or visit:
support.hama.com/00220846

