

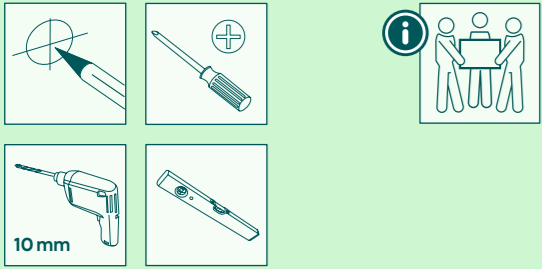
We are so happy you chose a  
hama product.

***Enjoy using it!***



# Quick Installation Guide

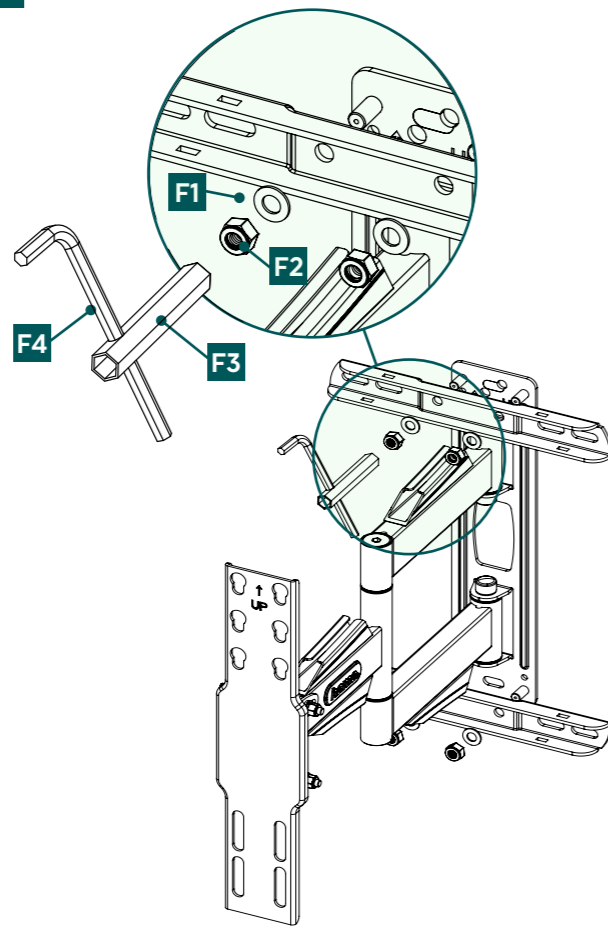
## Required tools



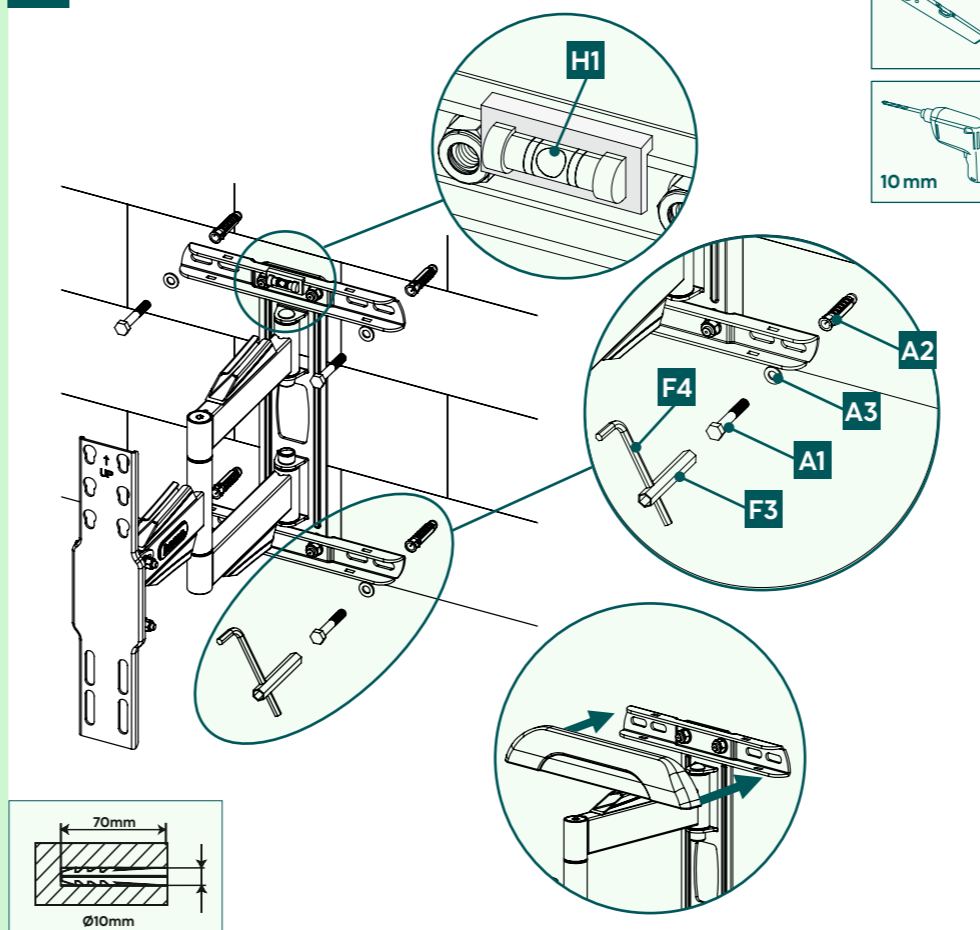
## Installation kit

A1		8x70 (x4)
A2		Ø10x60 (x4)
A3		M8 (x4)
B1		M6 (x4)
B2		Ø8x10 (x4)
B3		Ø8x20 (x4)
C1		M6x12 (x4)
C2		M6x20 (x4)
D1		M8x12 (x4)
D2		M8x20 (x4)
D3		M8x30 (x4)
D4		M8x50 (x4)
F1		Ø8,5 (x4)
F2		M8 (x4)
F3		M8, M6 (x1)
F4		6x6 (x1)
F5		4x4 (x1)
G1		Ø8,5 (x4)
G2		M8 (x4)
H1		(x1)
H2		M6x6 (x4)

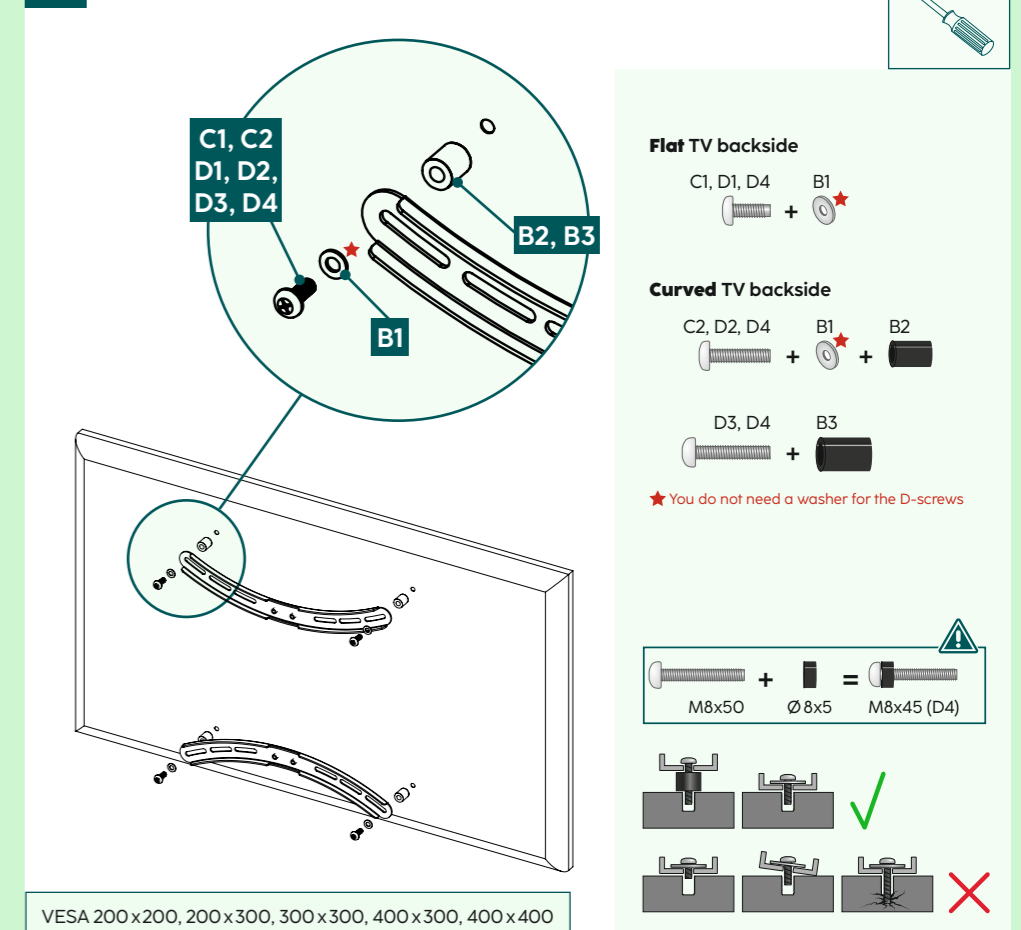
## 1 Preparation



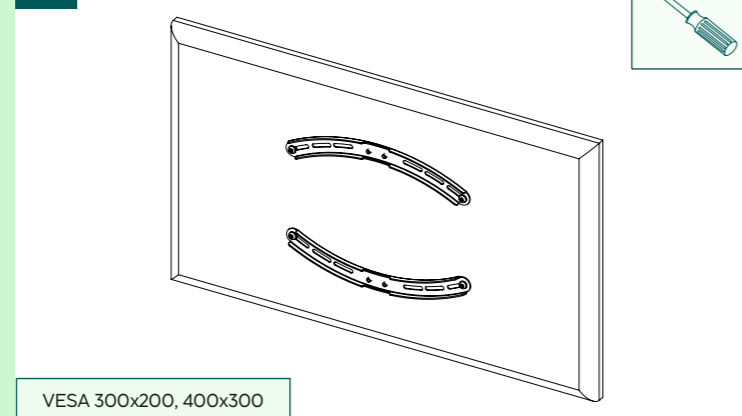
## 2 Wall mounting the bracket



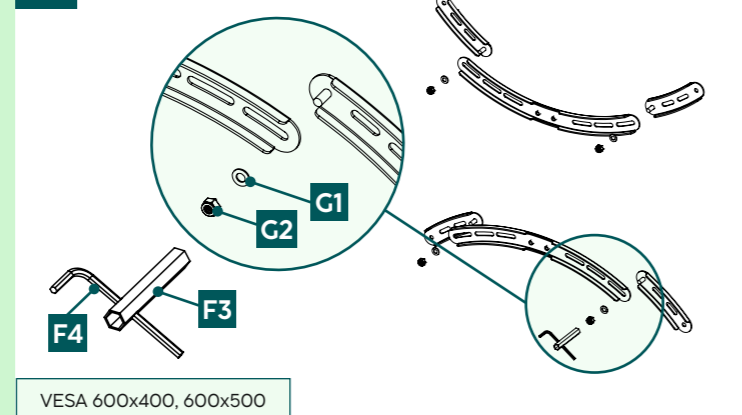
## 3a Mounting on TV



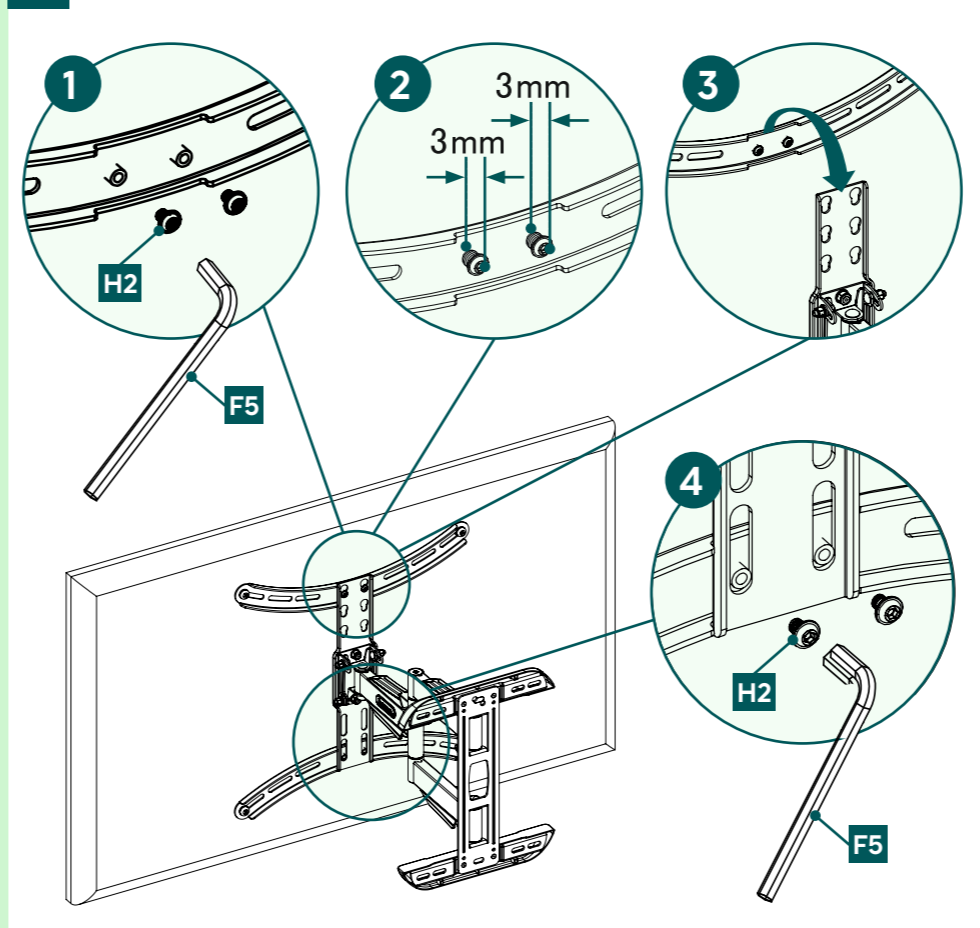
## 3b VESA variation



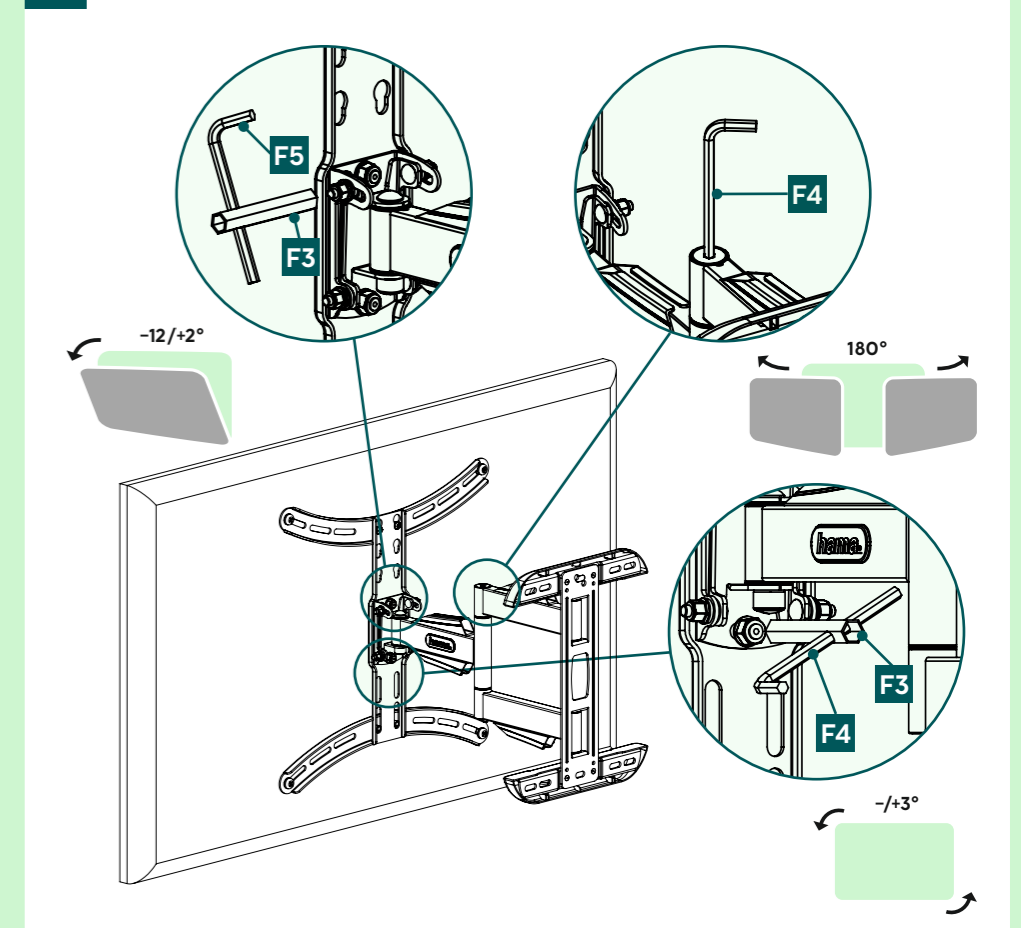
## 3c VESA variation



## 4 Mounting TV on bracket



## 5 Adjustments



Do you need more help?



Scan QR or visit:  
[support.hama.com/00220836](http://support.hama.com/00220836)

