

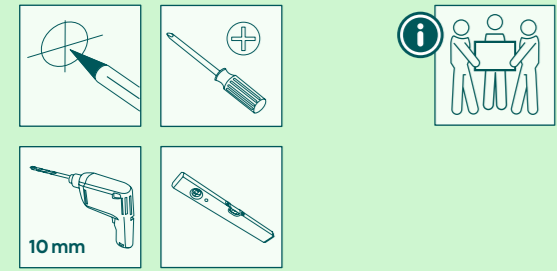
We are so happy you chose a
hama product.

Enjoy using it!



Quick Installation Guide

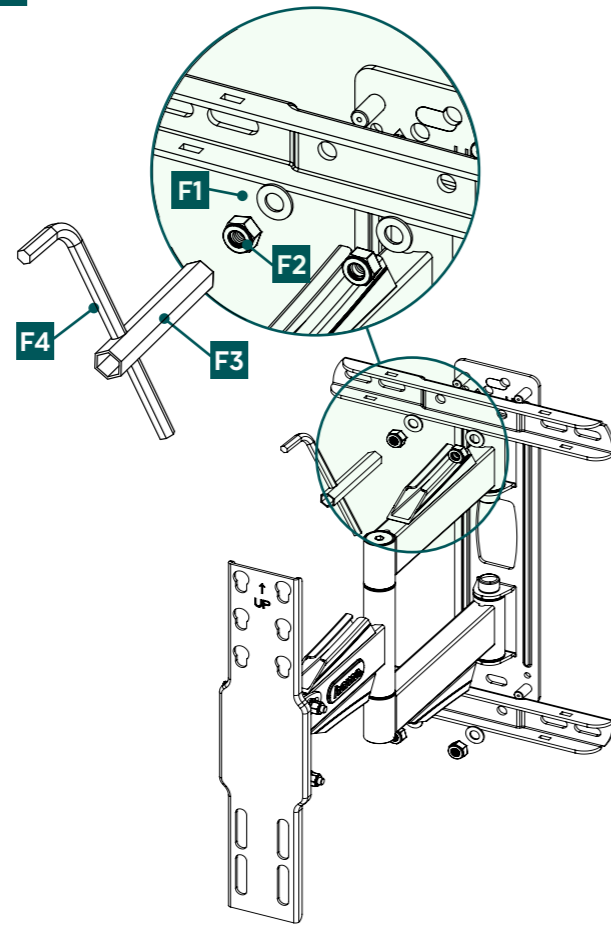
Required tools



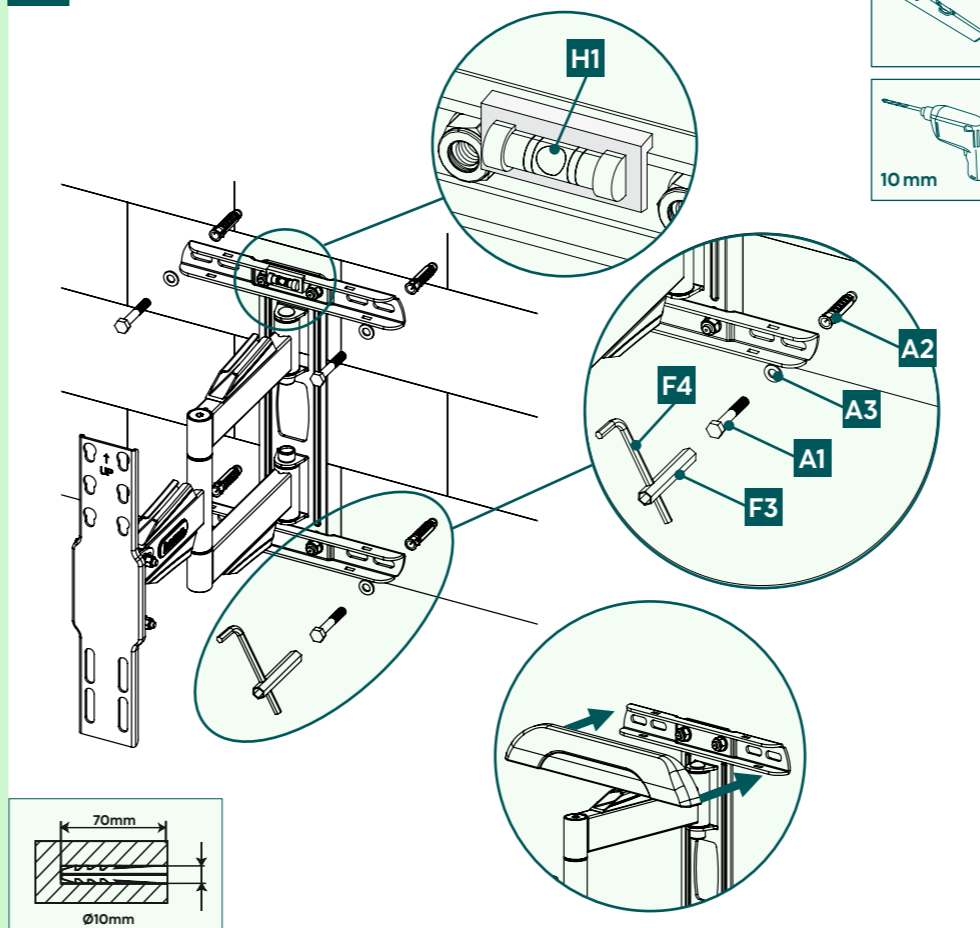
Installation kit

A1		8x60 (x4)
A2		Ø10x60 (x4)
A3		M8 (x4)
B1		M6 (x4)
B2		Ø8x10 (x4)
B3		Ø8x20 (x4)
C1		M6x12 (x4)
C2		M6x20 (x4)
D1		M8x12 (x4)
D2		M8x20 (x4)
D3		M8x30 (x4)
D4		M8x50 (x4)
F1		Ø8,5 (x4)
F2		M8 (x4)
F3		M8, M6 (x1)
F4		6x6 (x1)
F5		4x4 (x1)
G1		Ø8,5 (x4)
G2		M8 (x4)
H1		(x1)
H2		M6x6 (x4)

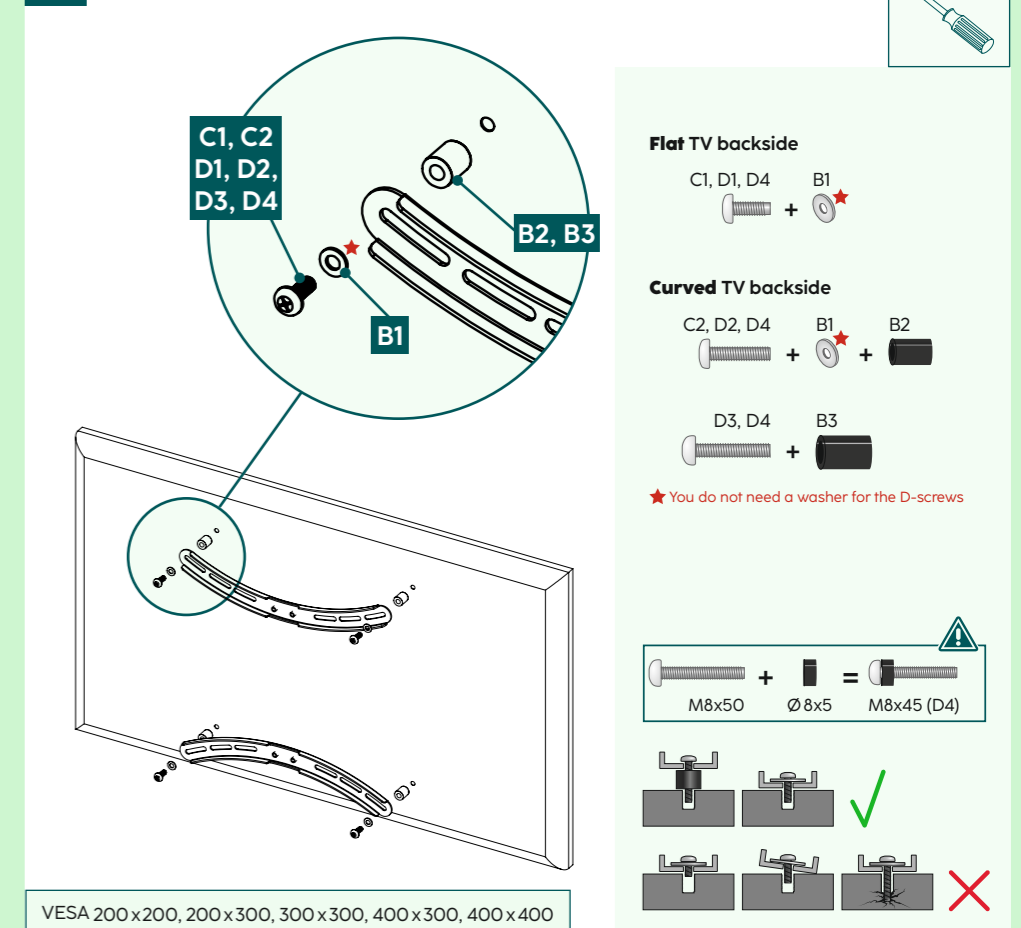
1 Preparation



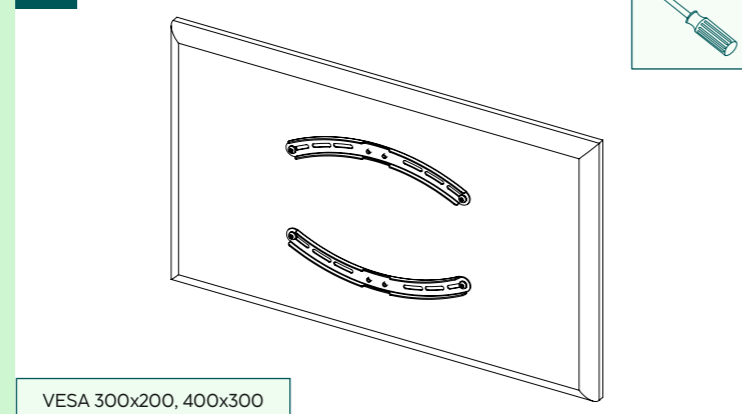
2 Wall mounting the bracket



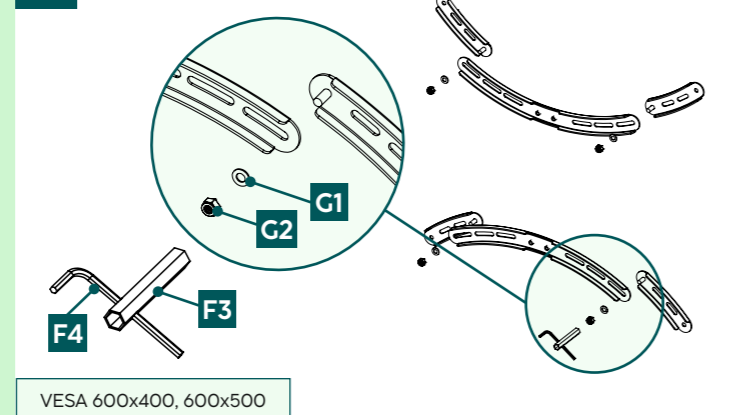
3a Mounting on TV



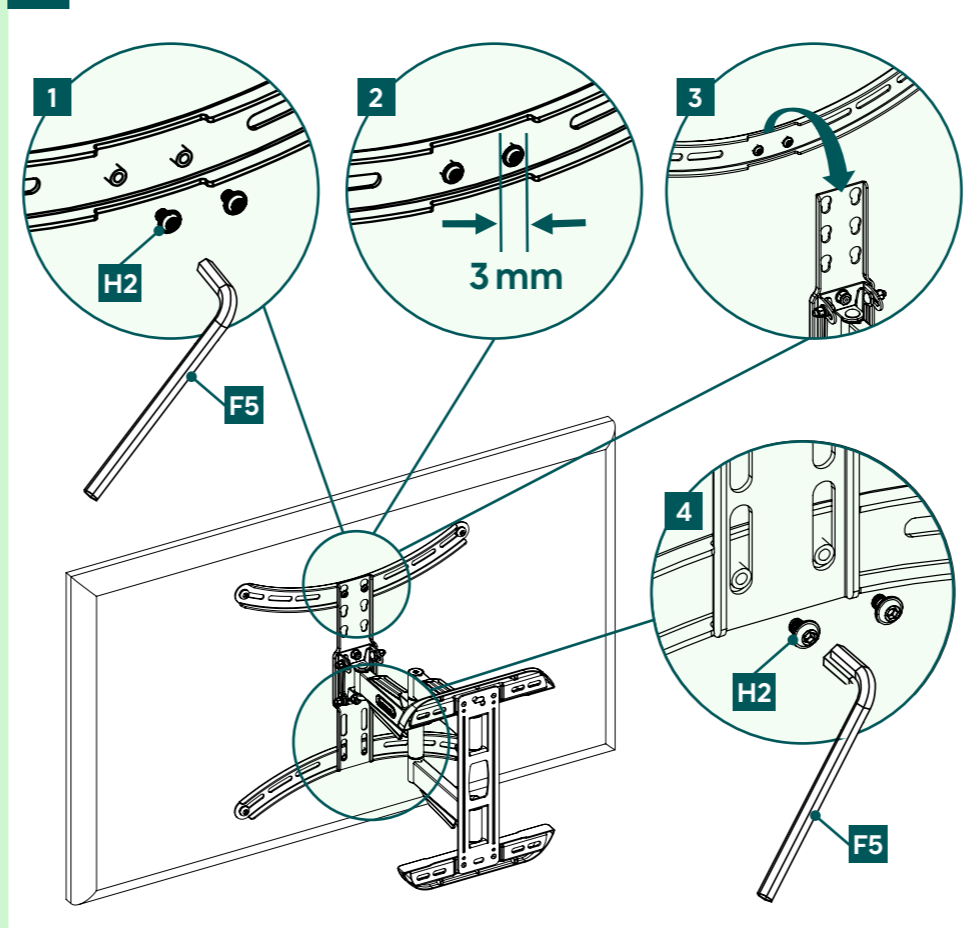
3b VESA variation



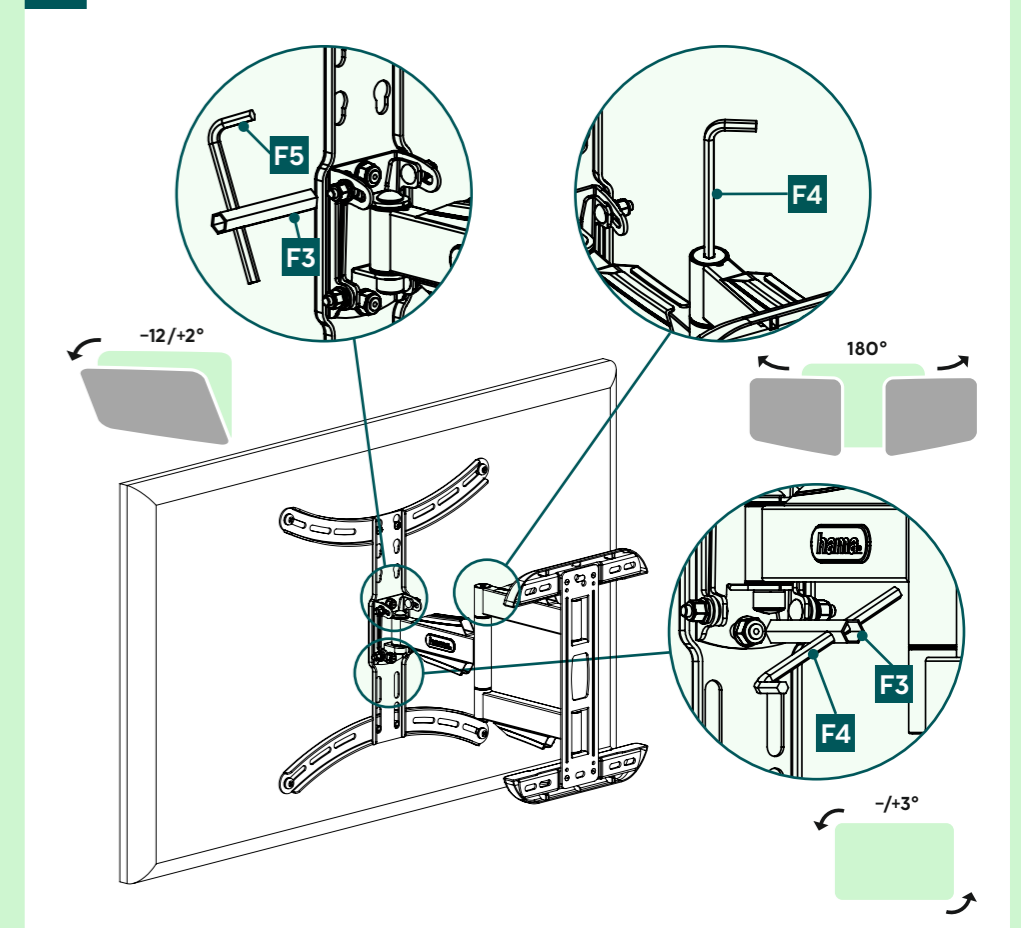
3c VESA variation



4 Mounting TV on bracket



5 Adjustments



Do you need more help?



Scan QR or visit: www.hama.com
→ 00220836 → Downloads

