

We are so happy you chose a
hama product.

Enjoy using it!

hama



00
220832

Quick Installation Guide

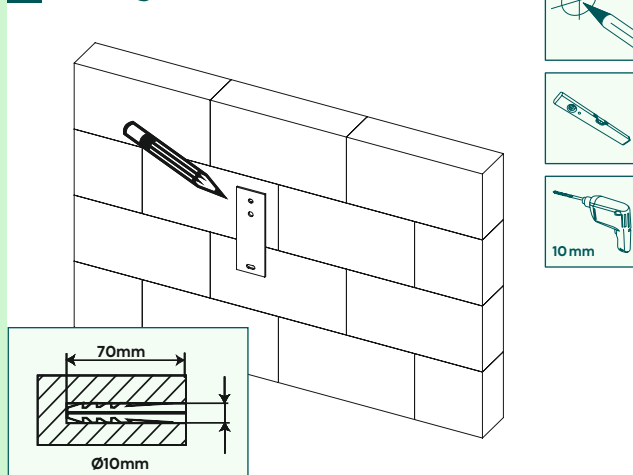
Required tools



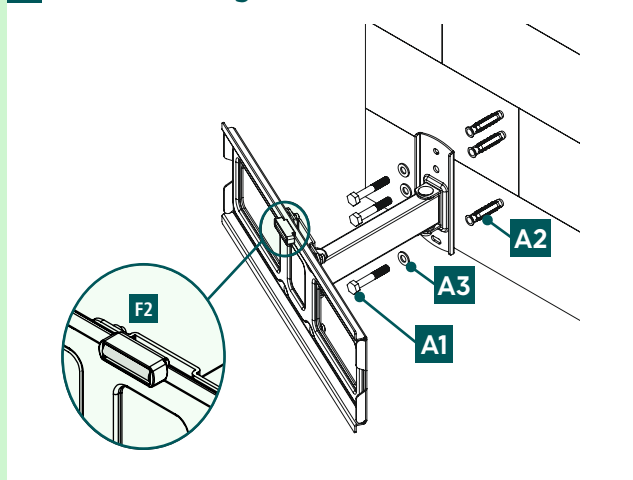
Installation kit

A1	6x70 (x3)	D1	M8x12 (x4)
A2	Ø10x60 (x3)	D2	M8x20 (x4)
A3	M6 (x3)	D3	M8x30 (x4)
B1	M6 (x4)	D4	M8x50 (x4)
B2	Ø8x10 (x4)	E1	M4x12 (x4)
B3	Ø8x20 (x4)	E2	M4x20 (x4)
C1	M6x12 (x4)	F1	(x1)
C2	M6x20 (x4)	F2	(x1)

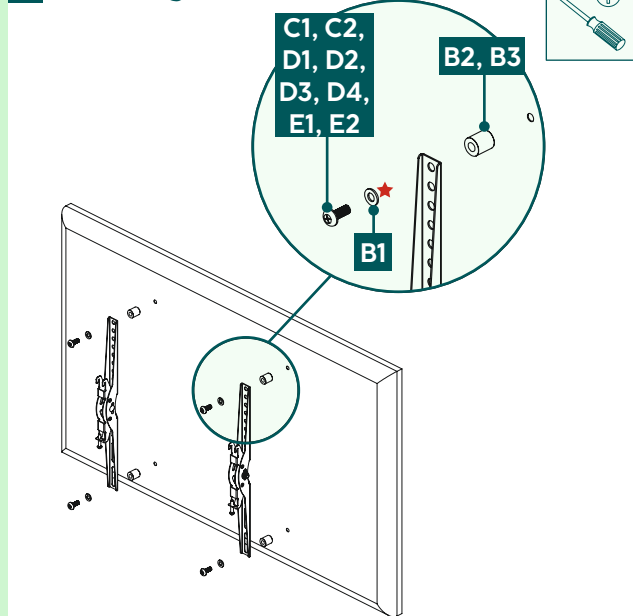
1 Drilling the holes



2 Wall mounting the bracket



3 Mounting on TV



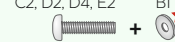
Flat TV backside

C1, D1, D4, E1 B1



Curved TV backside

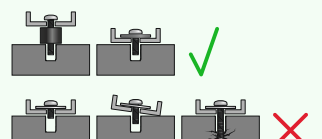
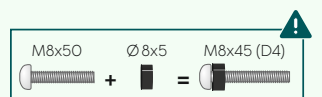
C2, D2, D4, E2 B1 B2



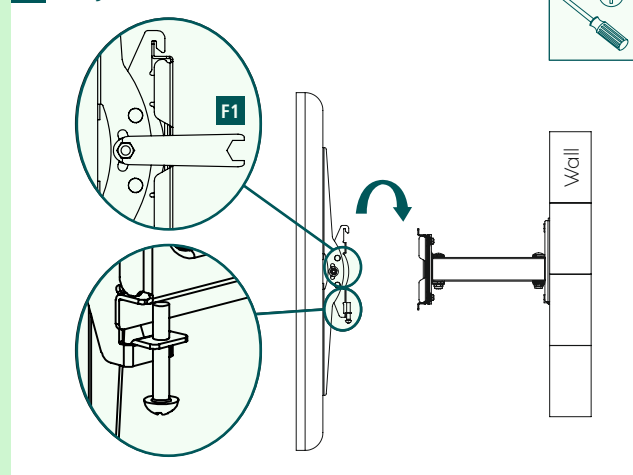
D3, D4 B3



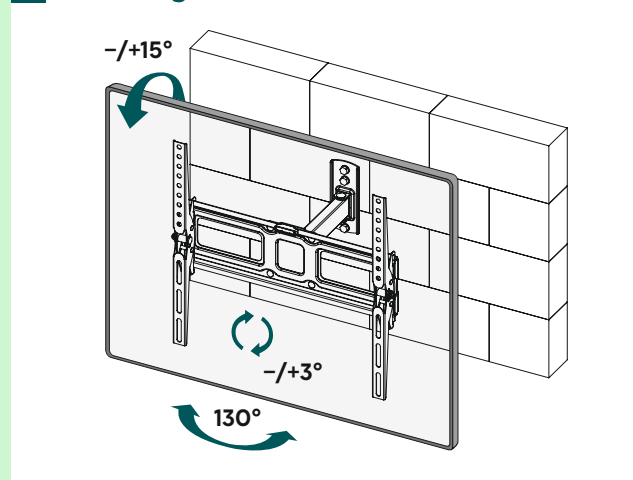
★ You do not need a washer for the D-screws



4 Adjustments



5 Mounting TV on bracket



Do you need more help?



Scan QR or visit: www.hama.com
 → 00220832 → Downloads



Raccolta Carta

