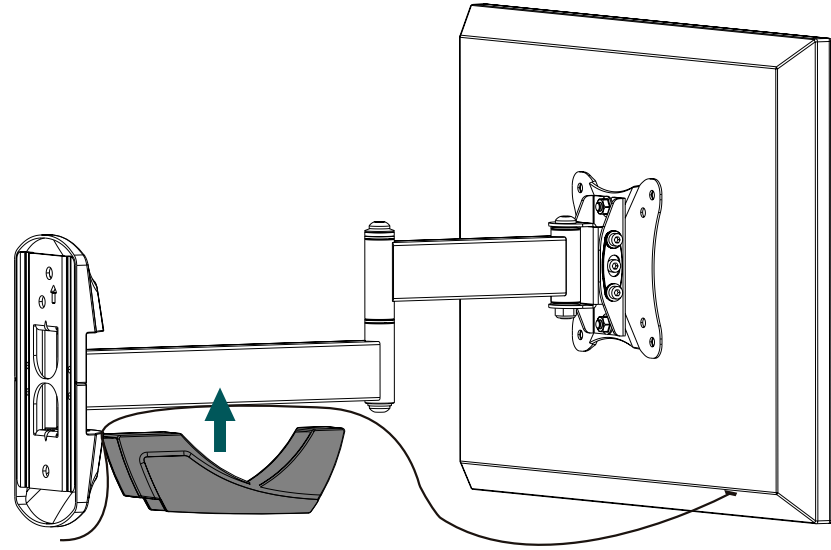
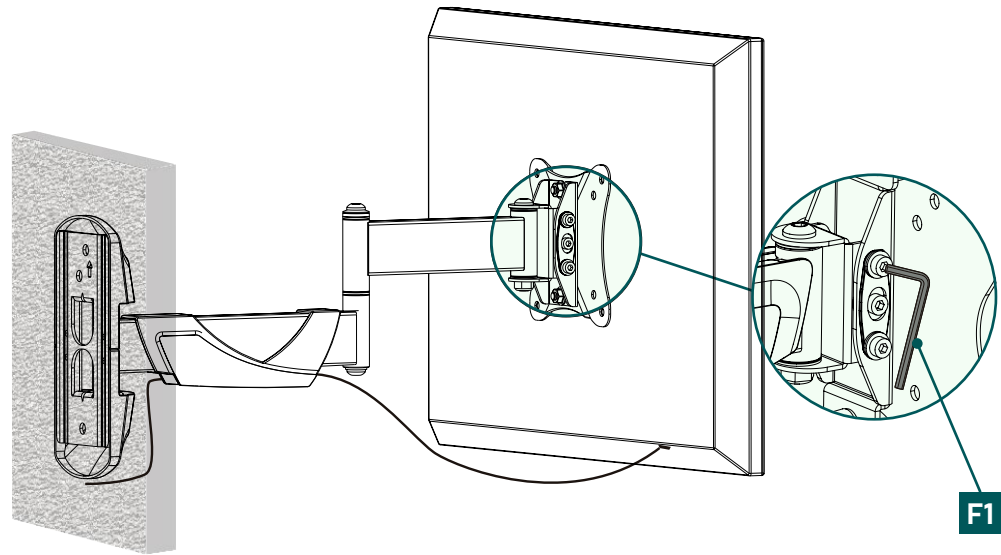


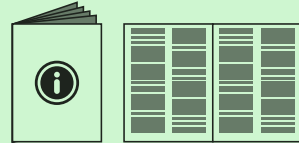
5 Thread the cable



6 Secure the VESA plate on the bracket



Do you need more help?



Scan QR or visit:
support.hama.com/00220825

We are so happy you chose a hama product.

Enjoy using it!

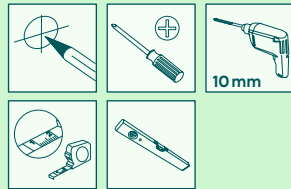


hama



Quick Installation Guide

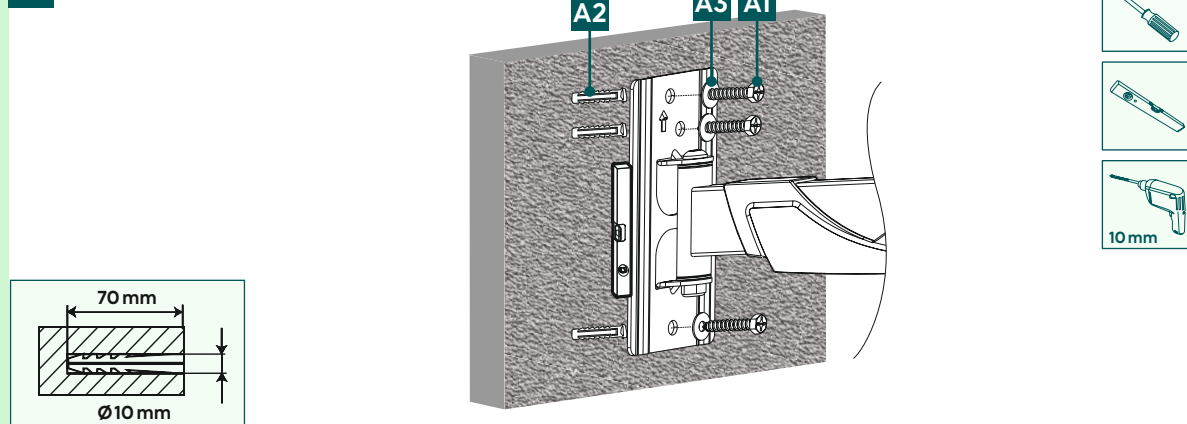
Required tools



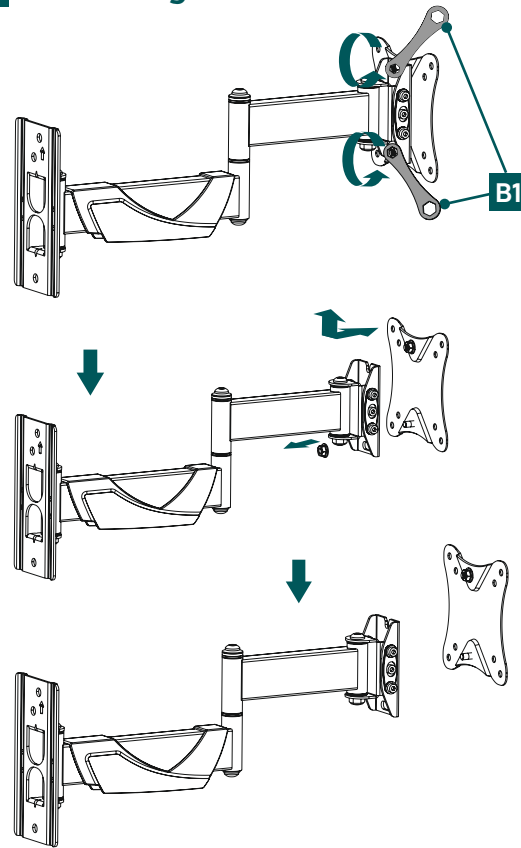
Installation kit

A1	8x70 (x3)
A2	Ø10x60 (x3)
A3	M8 (x3)
B1	M6 (x4)
B2	Ø8x10 (x4)
E1	M4x12 (x4)
E2	M4x20 (x4)
E3	M4x45 (x4)
F1	(x1)
F2	(x1)

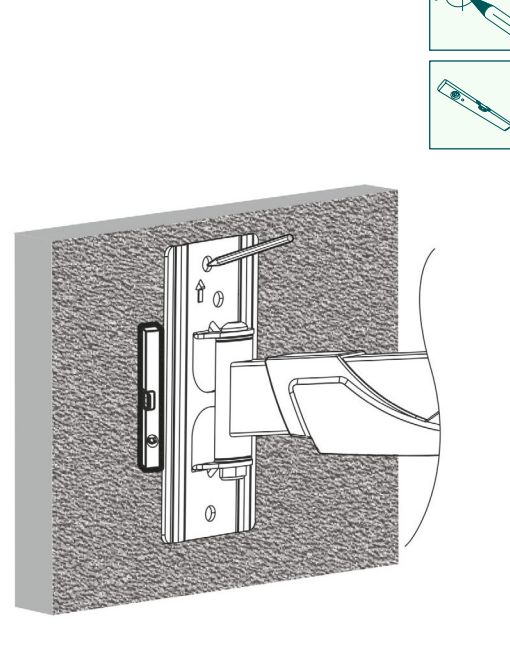
2b Mark drill holes



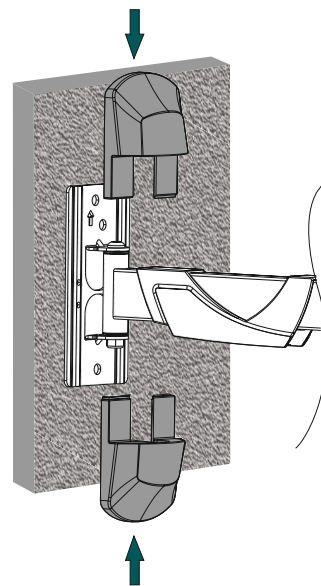
1 Loosening the screw



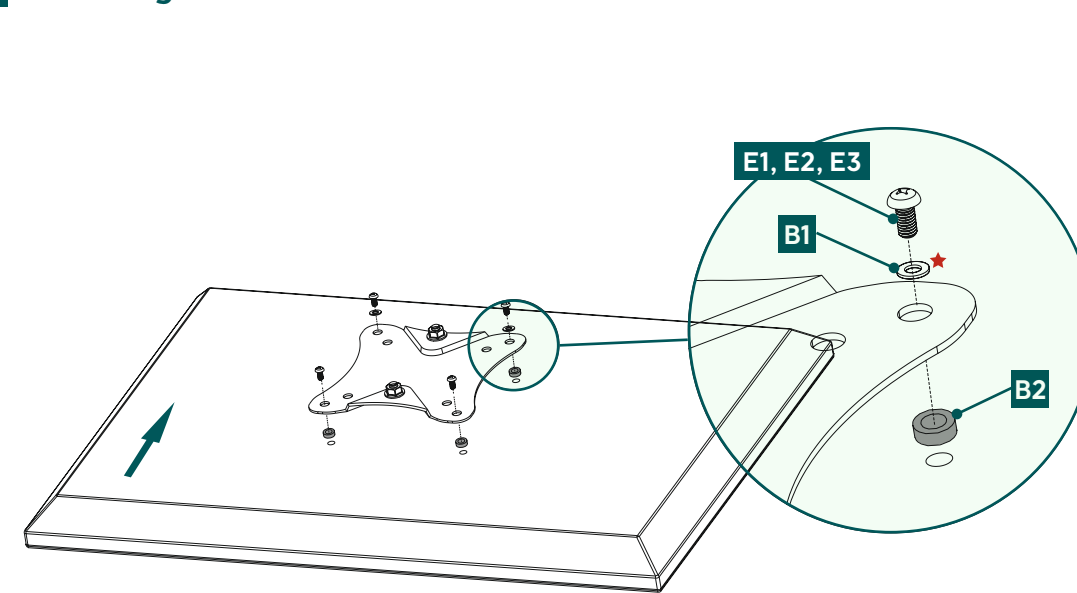
2a Mark drill holes



3a Put on covers



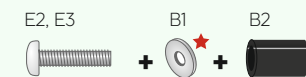
3b Mounting on TV



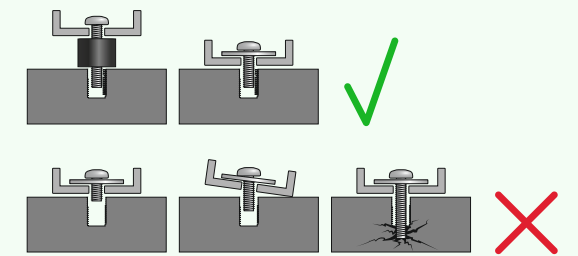
Flat TV backside



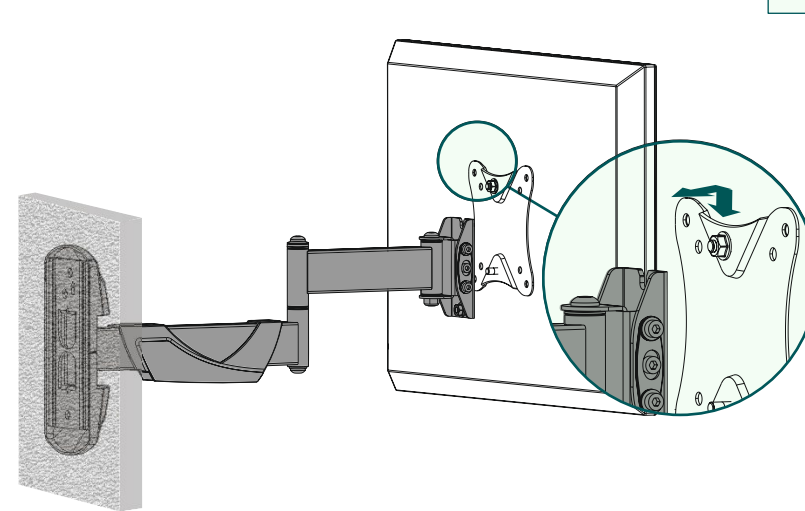
Curved TV backside



★ You do not need a washer for the D-screws



4a Mounting TV on bracket



4b Mounting TV on bracket

