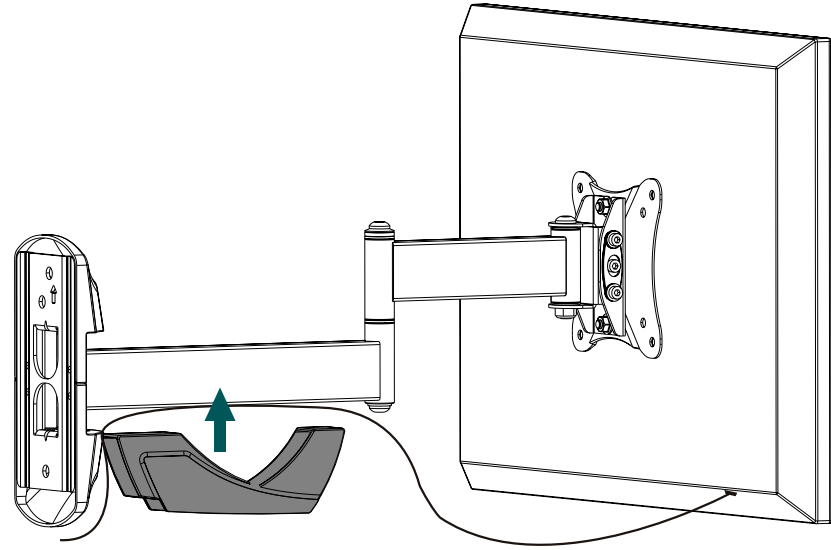
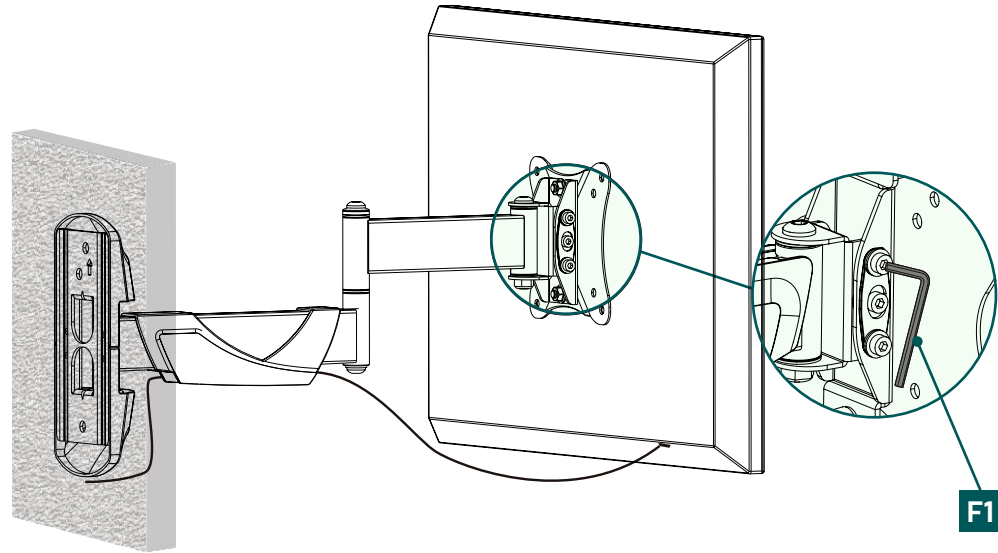


5 Thread the cable



6 Secure the VESA plate on the bracket

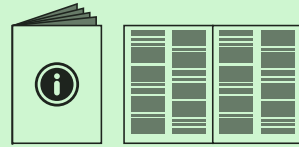


???
Do you need more help?



We are so happy you chose a hama product.

Enjoy using it!



Scan QR or visit: www.hama.com
➔ 🔍 ➔ 00220825 ➔ Downloads

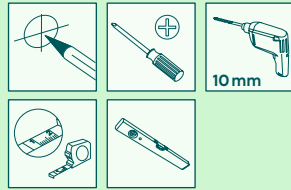


hama



Quick Installation Guide

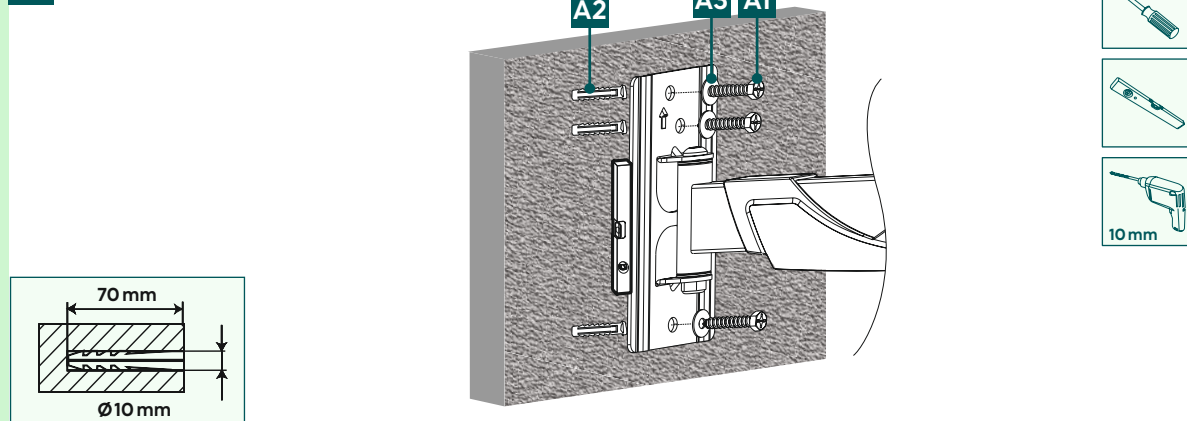
Required tools



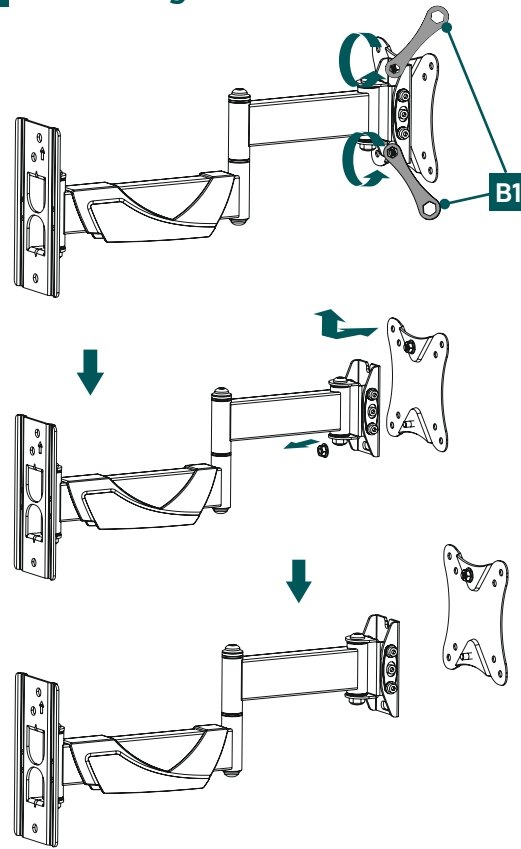
Installation kit

A1	8x60 (x3)
A2	Ø10x60 (x3)
A3	M8 (x3)
B1	M6 (x4)
B2	Ø8x10 (x4)
E1	M4x12 (x4)
E2	M4x20 (x4)
E3	M4x45 (x4)
F1	(x1)
F2	(x1)

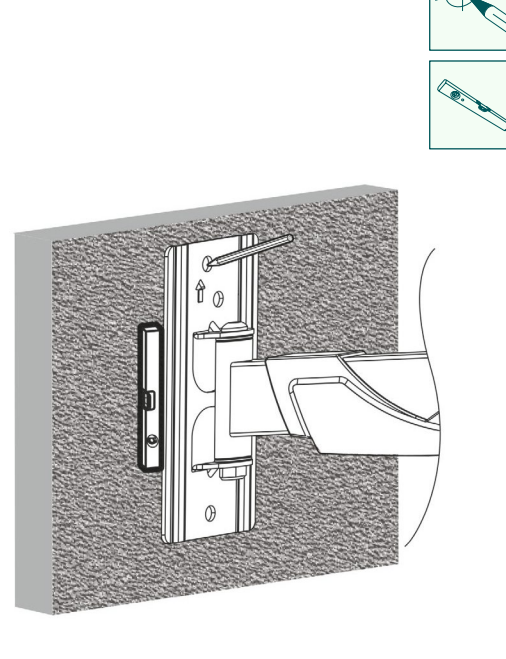
2b Mark drill holes



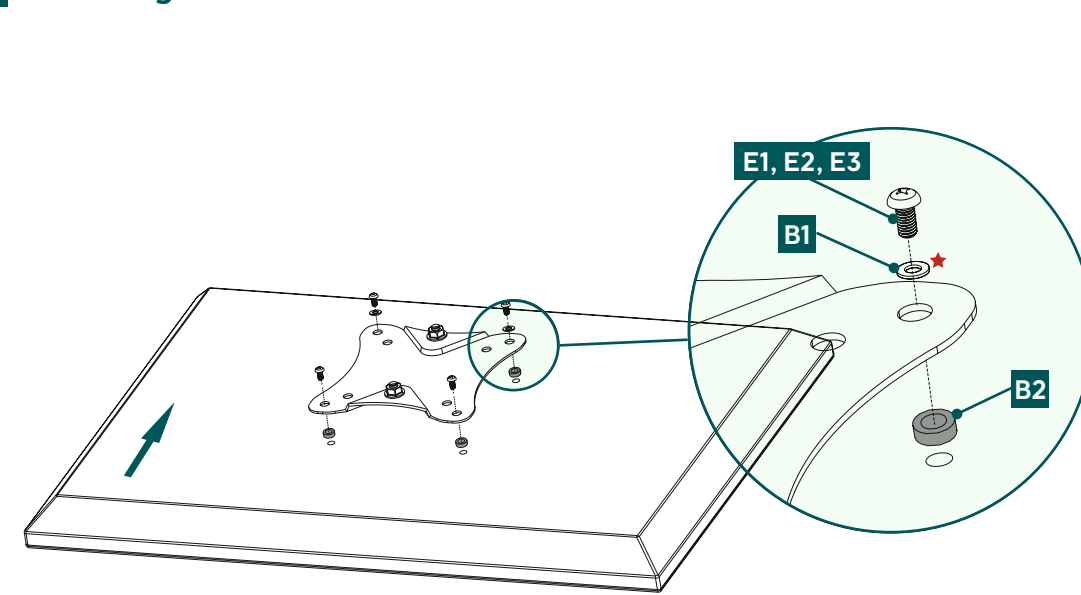
1 Loosening the screw



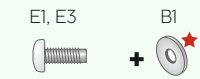
2a Mark drill holes



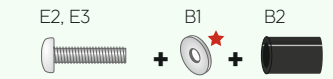
3b Mounting on TV



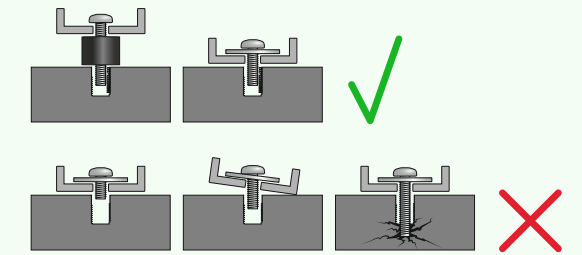
Flat TV backside



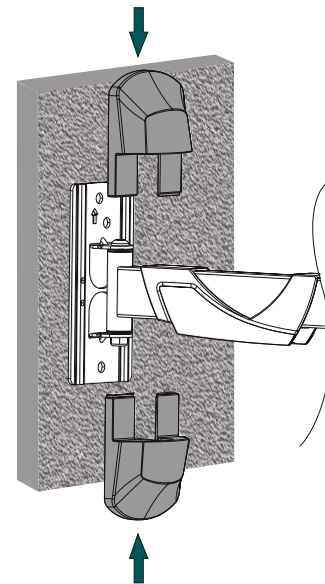
Curved TV backside



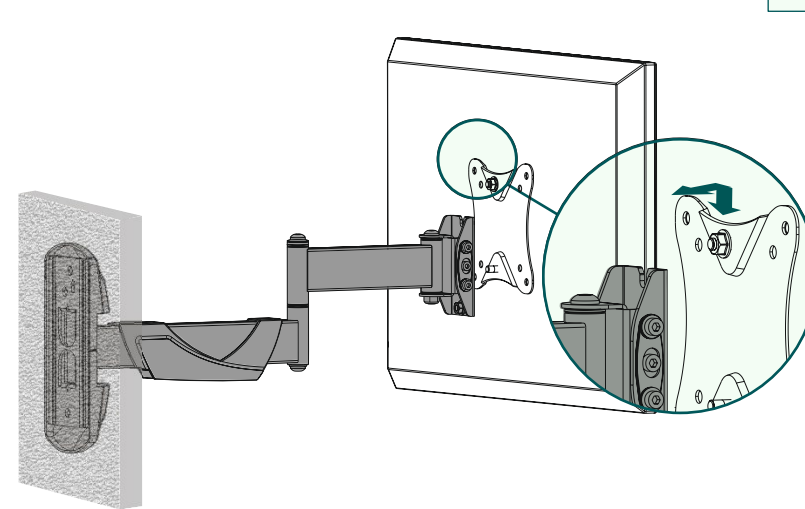
★ You do not need a washer for the D-screws



3a Put on covers



4a Mounting TV on bracket



4b Mounting TV on bracket

