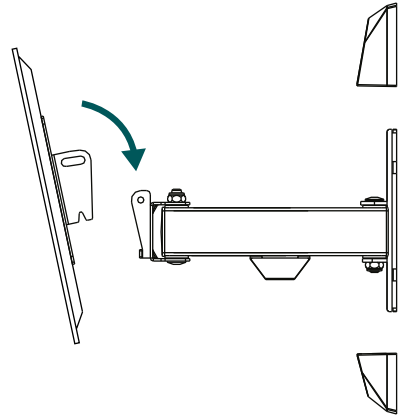
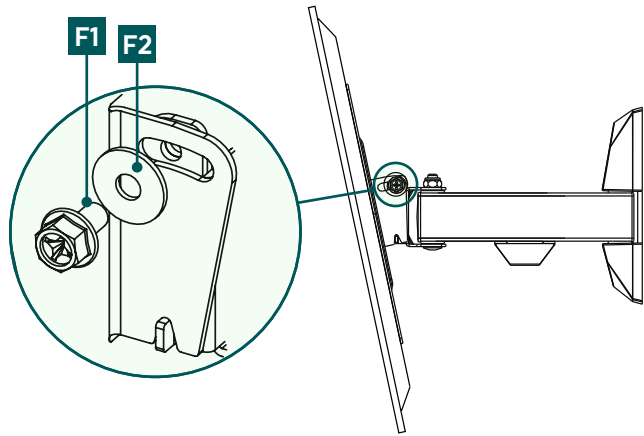


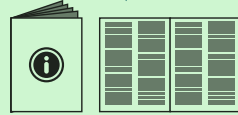
3 Adjustment



4 Fixing



Do you need more help?



Scan QR or visit: www.hama.com
➔ 🔍 ➔ 00220820 ➔ Downloads

We are so happy you chose a hama product.

Enjoy using it!

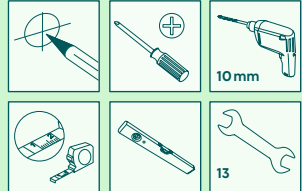


hama



Quick Installation Guide

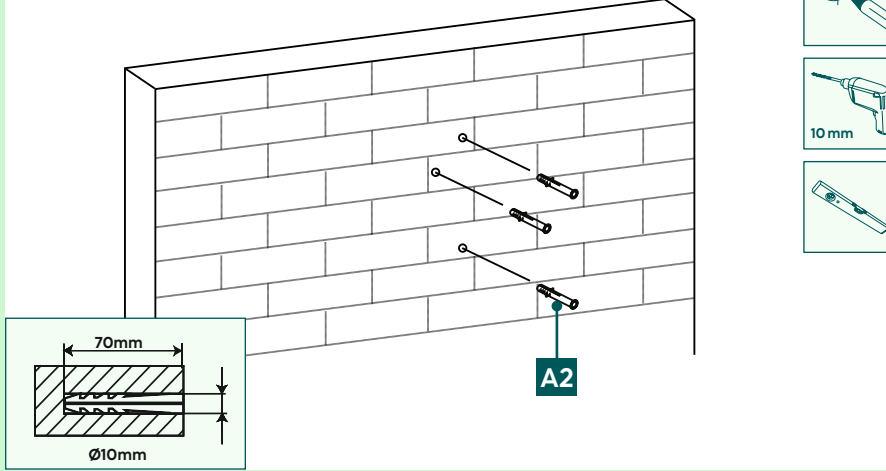
Required tools



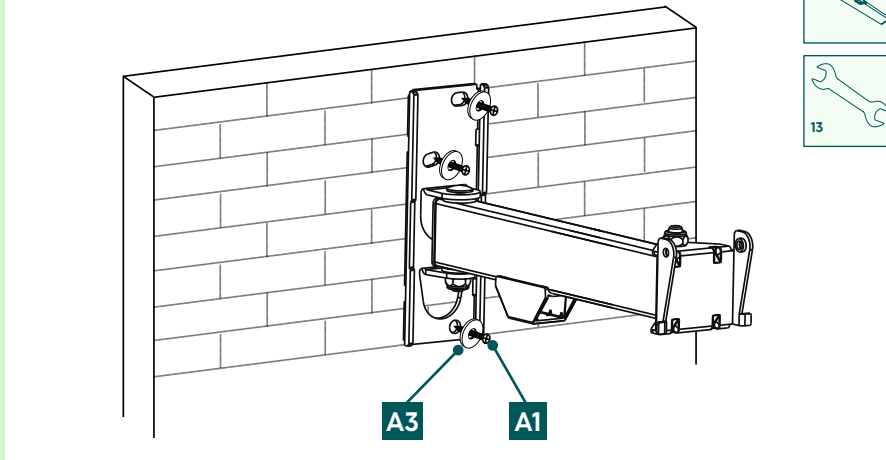
Installation kit

A1		8x60 (x3)
A2		Ø10x60 (x3)
A3		M8 (x3)
B1		M6 (x4)
B2		Ø8x10 (x4)
E1		M4x12 (x4)
E2		M4x20 (x4)
E3		M4x45 (x4)
F1		M6x12 (x2)
F2		M6 (x2)

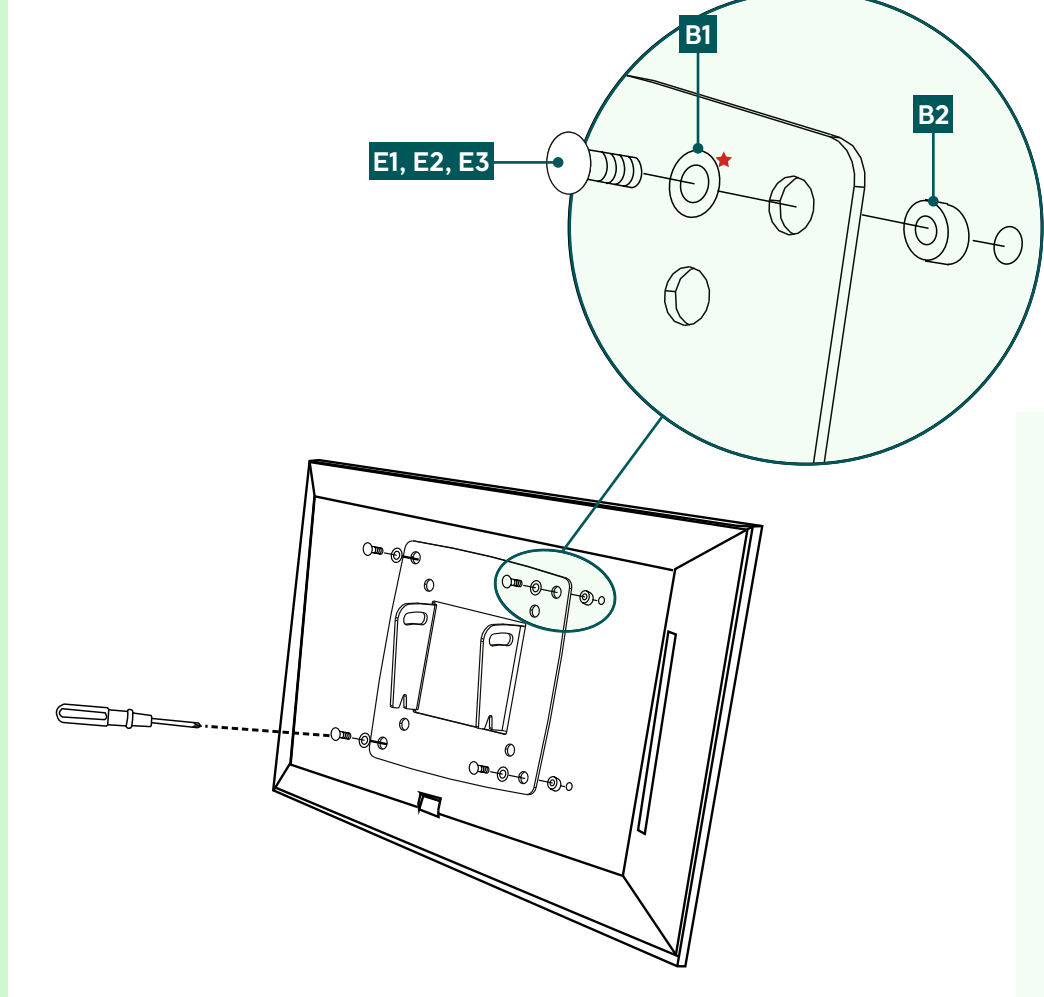
1a Drilling the holes



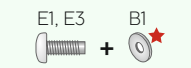
1b Wall mounting the bracket



2 Mounting on backside of the TV



Flat TV backside



Curved TV backside



★ You do not need a washer for the D-screws

