

We are so happy you chose a
hama product.

Enjoy using it!

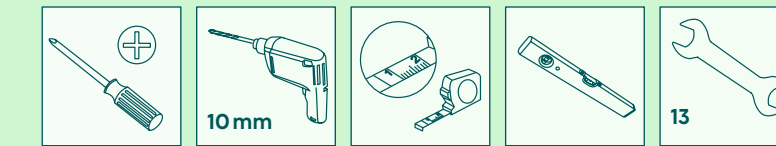
hama



00
220818

Quick Installation Guide

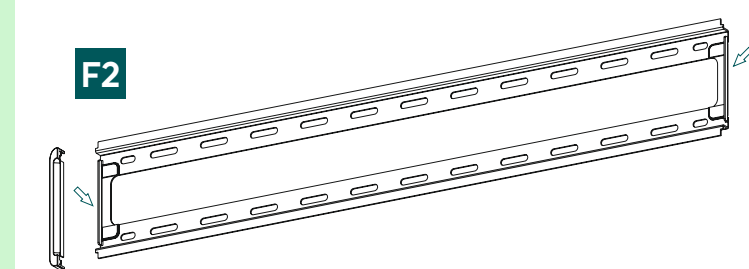
Required tools



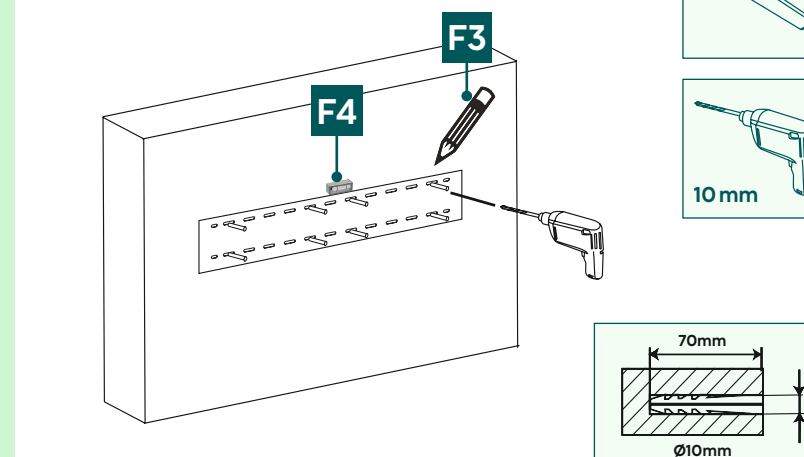
Installation kit

A1		8x60 (x6)	D1		M8x12 (x4)
A2		Ø10x60 (x6)	D2		M8x20 (x4)
A3		M8 (x6)	D3		M8x30 (x4)
B1		M6 (x4)	D4		M8x50 (x4)
B2		Ø8x10 (x4)	F1		(x4)
B3		Ø8x20 (x4)	F2		(x2)
C1		M6x12 (x4)	F3		(x1)
C2		M6x20 (x4)	F4		(x1)

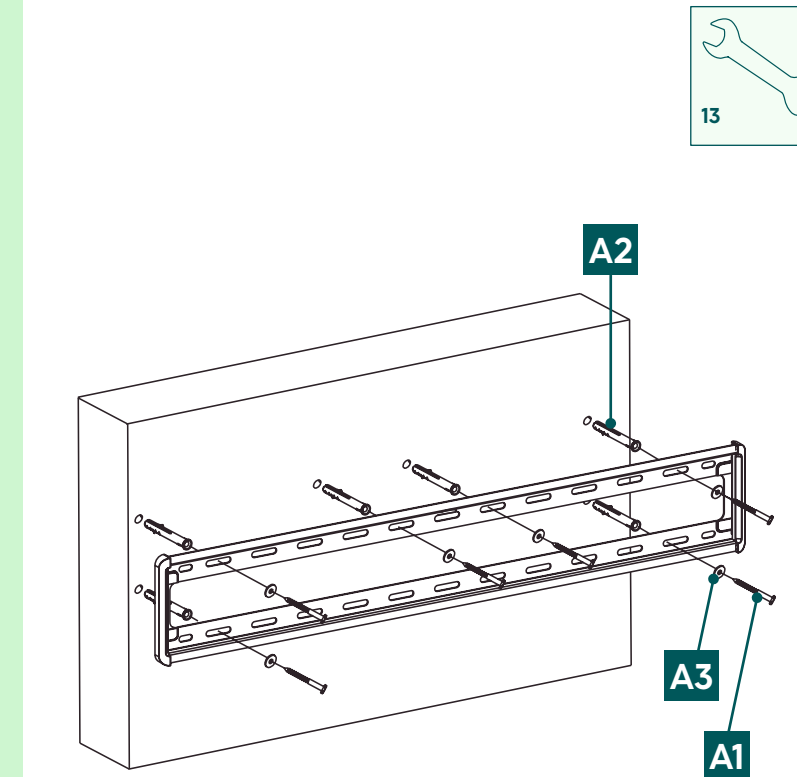
1 Prepare the bracket



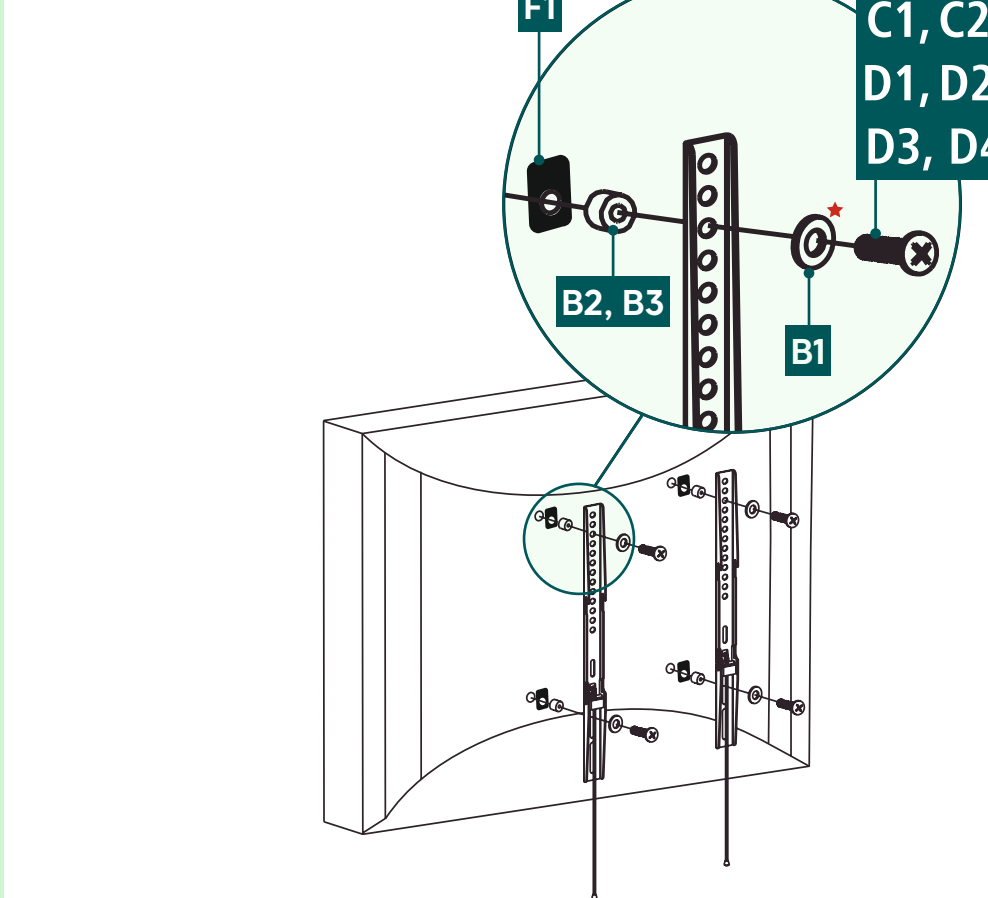
2 Drilling the holes



3 Wall mounting the bracket



4 Mounting on backside of the TV



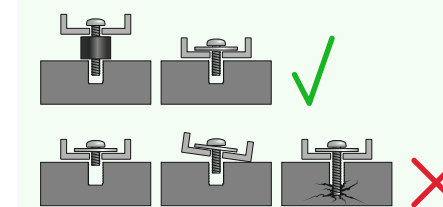
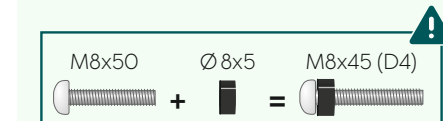
Flat TV backside



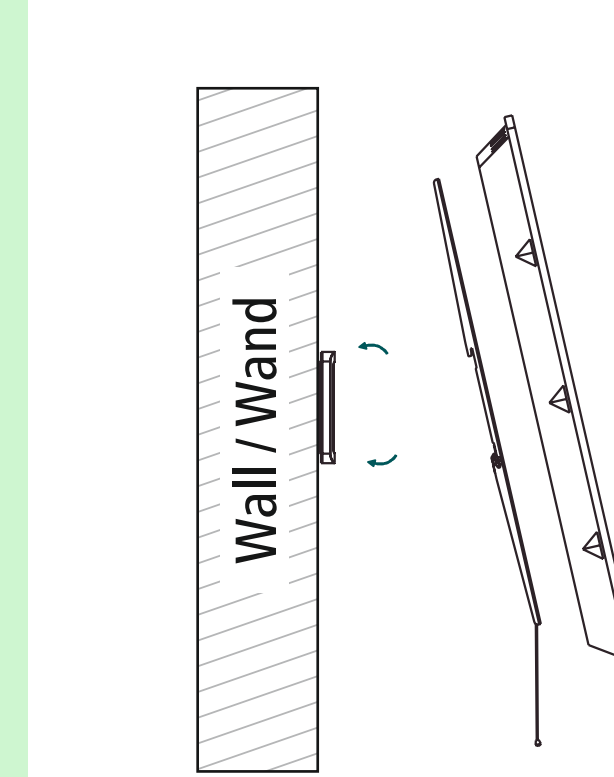
Curved TV backside



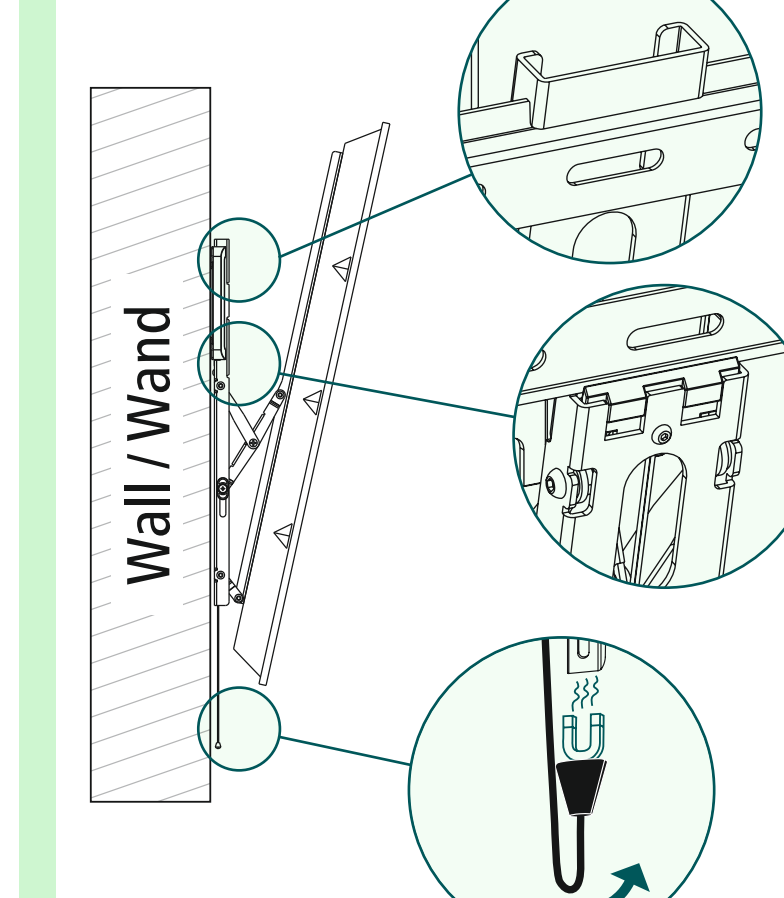
★ You do not need a washer for the D-screws



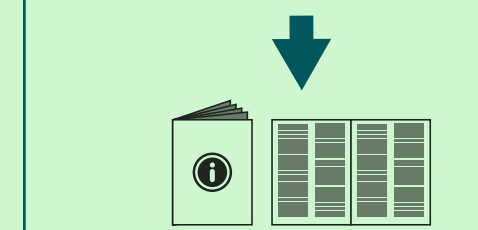
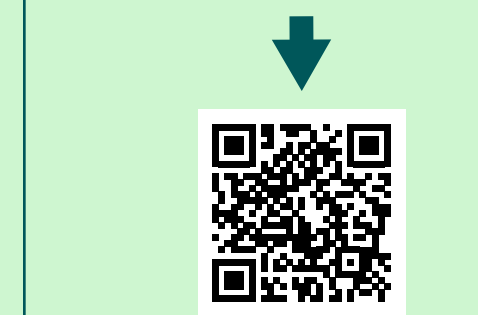
5 Adjustment & Fixing



6 Adjustment & Fixing



?? Do you need more help?



Scan QR or visit: www.hama.com
 00220818 Downloads

