

We are so happy you chose a
hama product.

Enjoy using it!

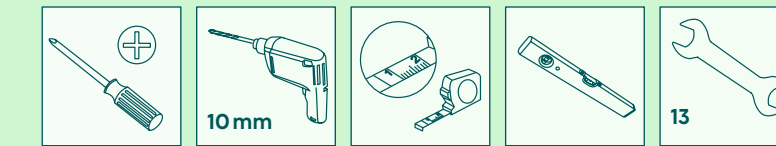
hama



00
220817

Quick Installation Guide

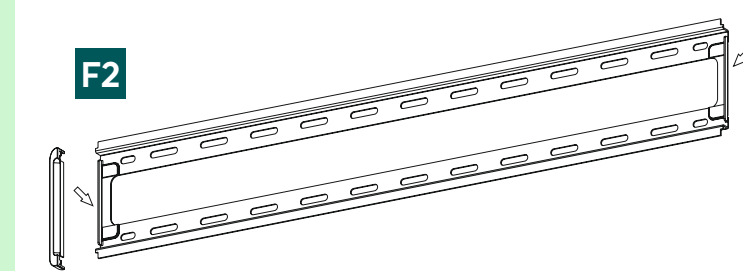
Required tools



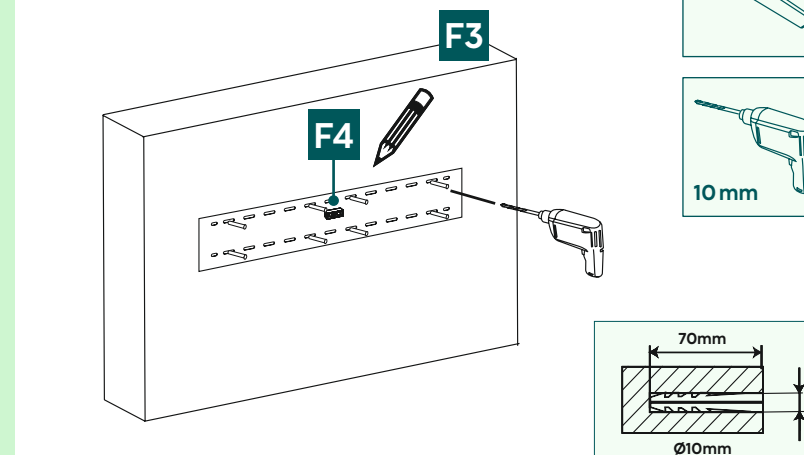
Installation kit

A1		8x60 (x6)	D1		M8x12 (x4)
A2		Ø10x60 (x6)	D2		M8x20 (x4)
A3		M8 (x6)	D3		M8x30 (x4)
B1		M6 (x4)	D4		M8x50 (x4)
B2		Ø8x10 (x4)	F1		(x4)
B3		Ø8x20 (x4)	F2		(x2)
C1		M6x12 (x4)	F3		(x1)
C2		M6x20 (x4)	F4		(x1)

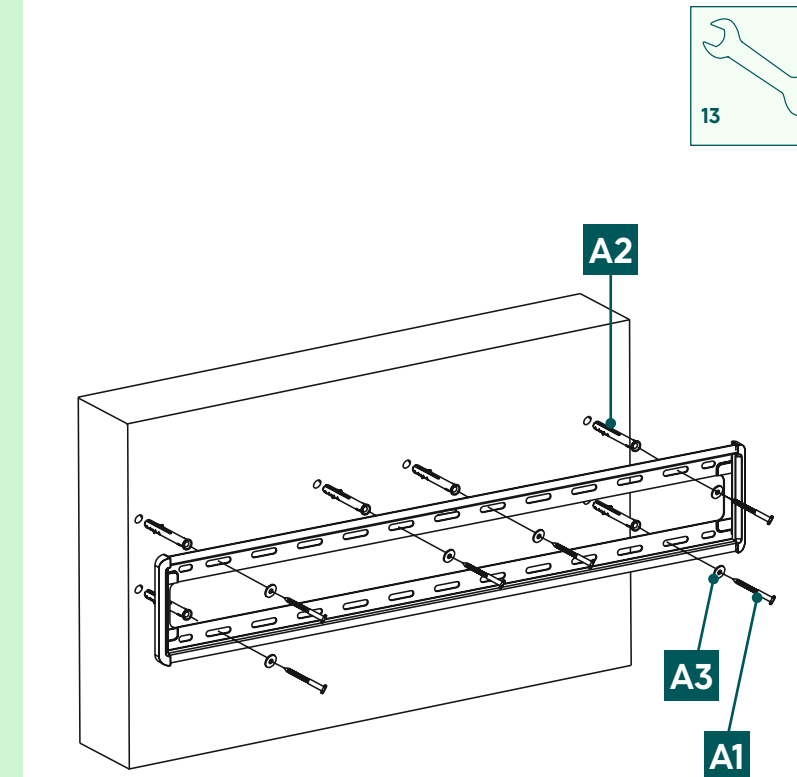
1 Preparing the bracket



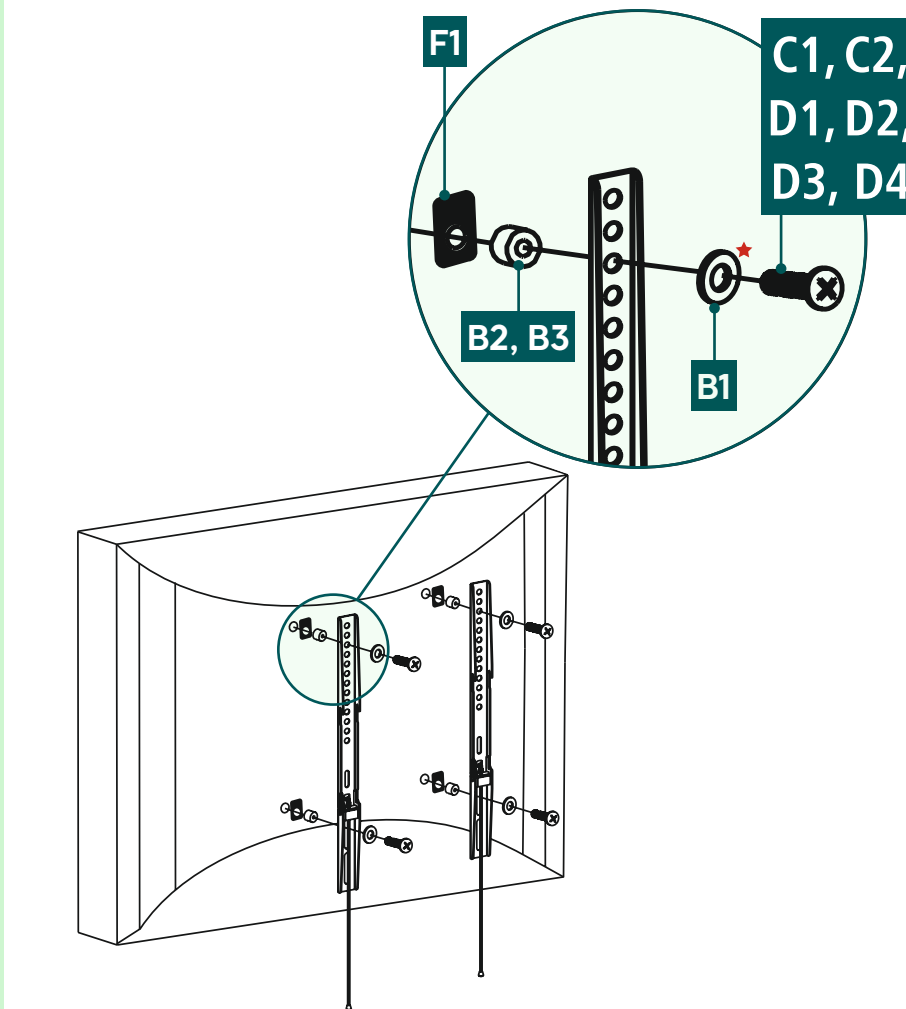
2 Drilling the holes



3 Wall mounting the bracket



4 Mounting on backside of the TV



Flat TV backside

F1 + C1, D1, D4 + B1

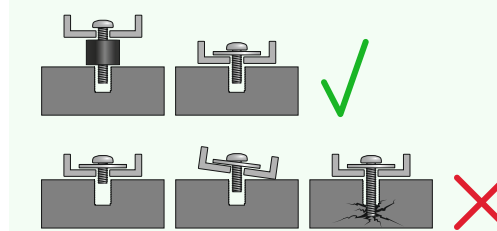
Curved TV backside

F1 + C2, D2, D4 + B1 + B2

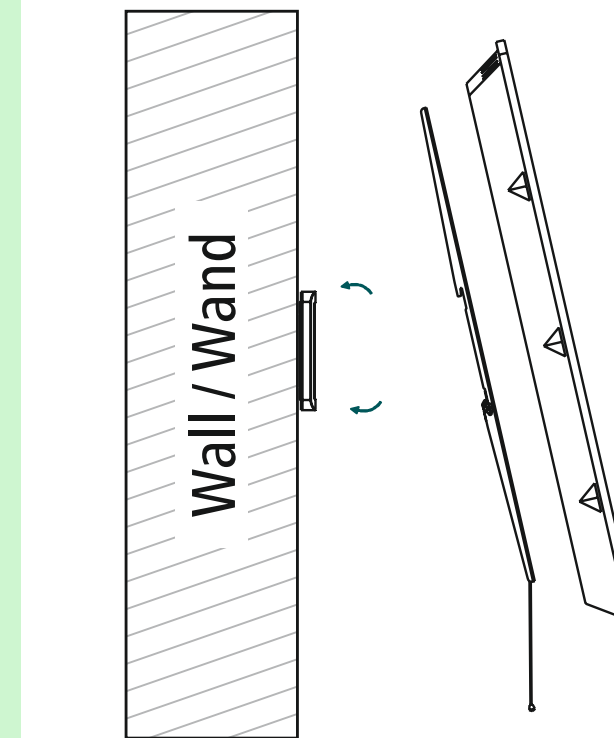
F1 + D3, D4 + B3

★ You do not need a washer for the D-screws

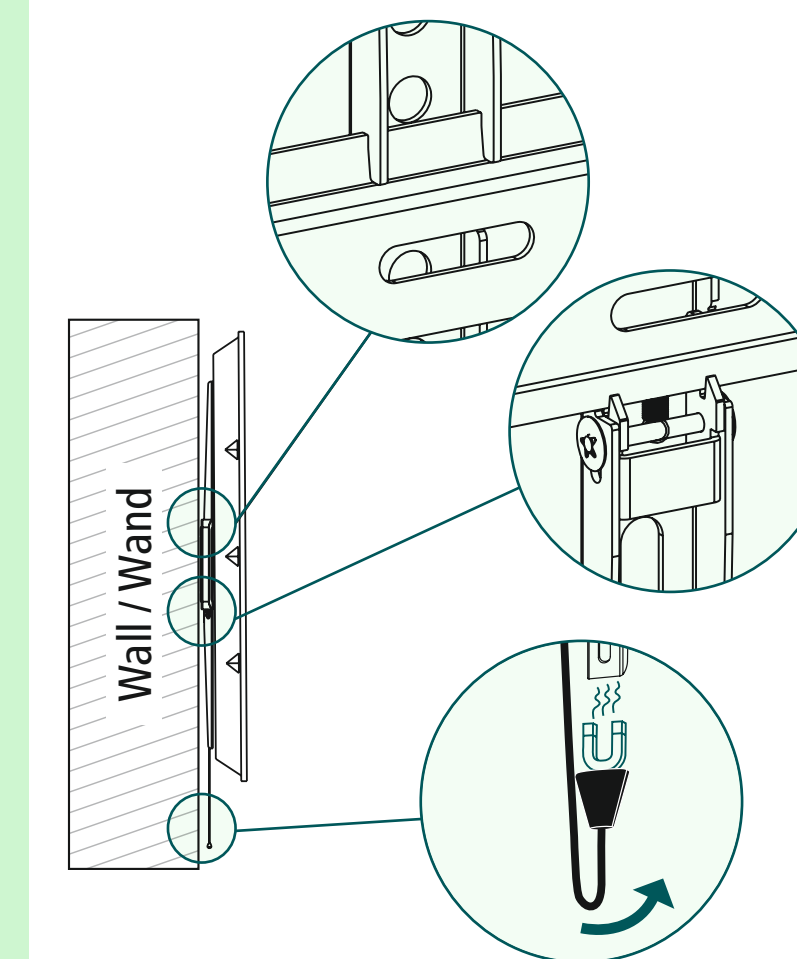
M8x50 + Ø8x5 = M8x45 (D4)



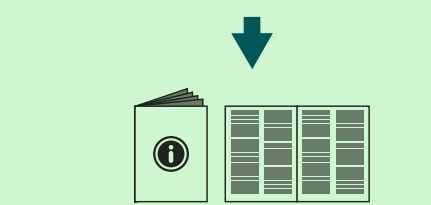
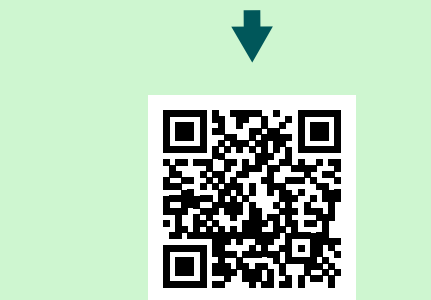
5 Adjustment & Fixing



6 Adjustment & Fixing



Do you need more help?



Scan QR or visit: www.hama.com
00220817 Downloads

