

We are so happy you chose a
hama product.

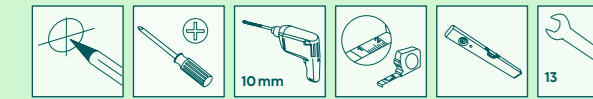
Enjoy using it!

hama



Quick Installation Guide

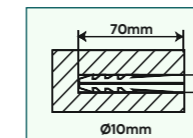
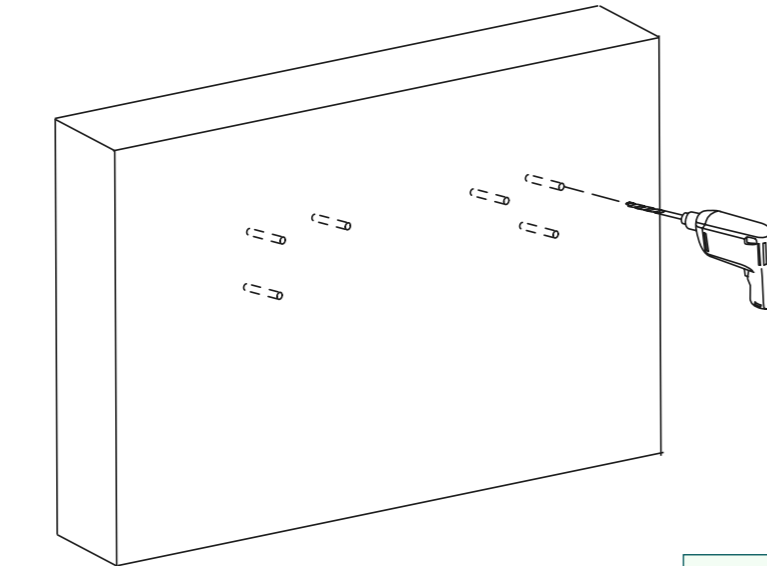
Required tools



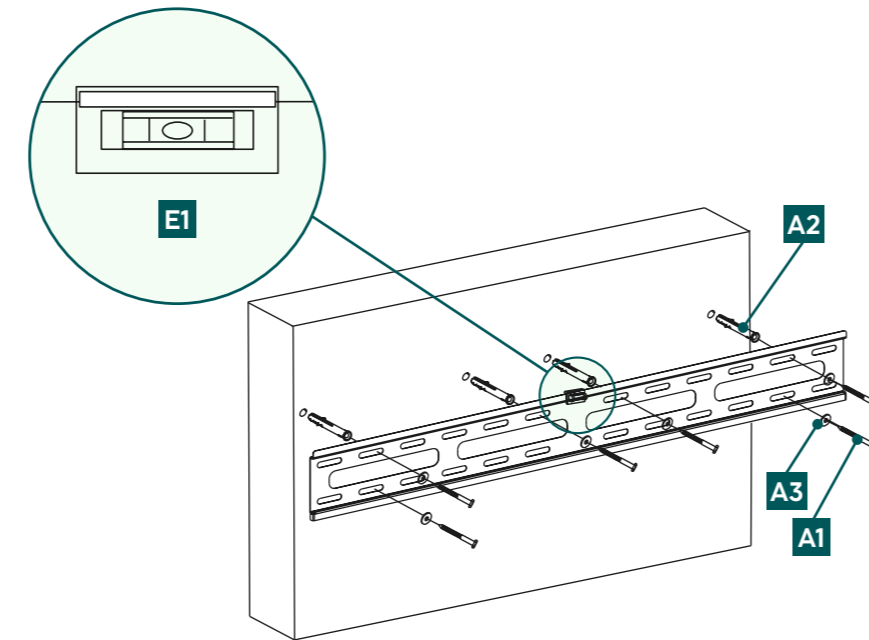
Installation kit

A1		8x60 (x6)	C2		M6x20 (x4)
A2		Ø10x60 (x6)	D1		M8x12 (x4)
A3		M8 (x6)	D2		M8x20 (x4)
B1		M6 (x4)	D3		M8x30 (x4)
B2		Ø8x10 (x4)	D4		M8x50 (x4)
B3		Ø8x20 (x4)	E1		(x1)
C1		M6x12 (x4)			

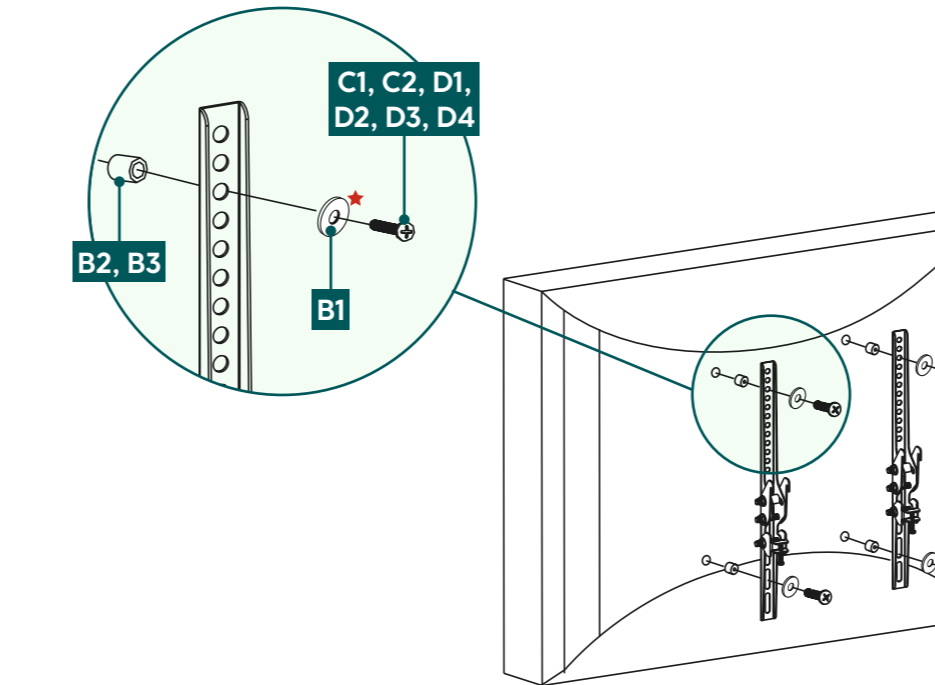
1 Drilling the holes



2 Wall mounting the bracket



3 Mounting on backside of the TV



Flat TV backside

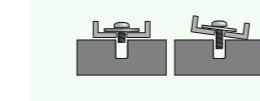
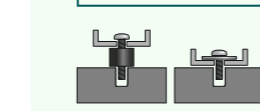
C1, D1, D4 + B1

C2, D2, D4 + B1 + B2

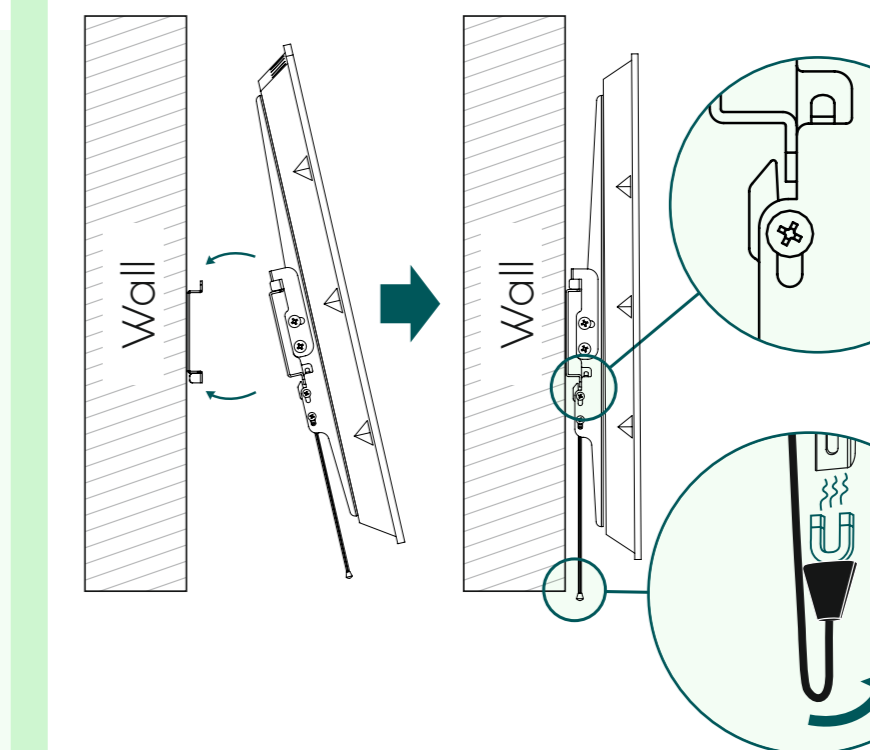
D3, D4 + B3

★ You do not need a washer for the D-screws

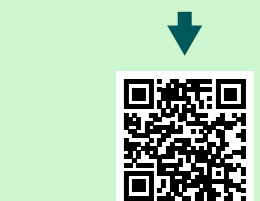
M8x50 + Ø8x5 = M8x45 (D4)



4 Adjustment & Fixing



Do you need more help?



Scan QR or visit: www.hama.com
 00220816 Downloads

