

We are so happy you chose a
hama product.

Enjoy using it!

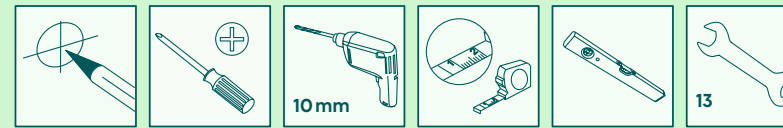


hama

00
220815

Quick Installation Guide

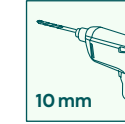
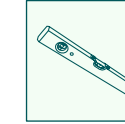
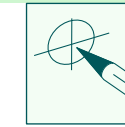
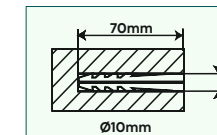
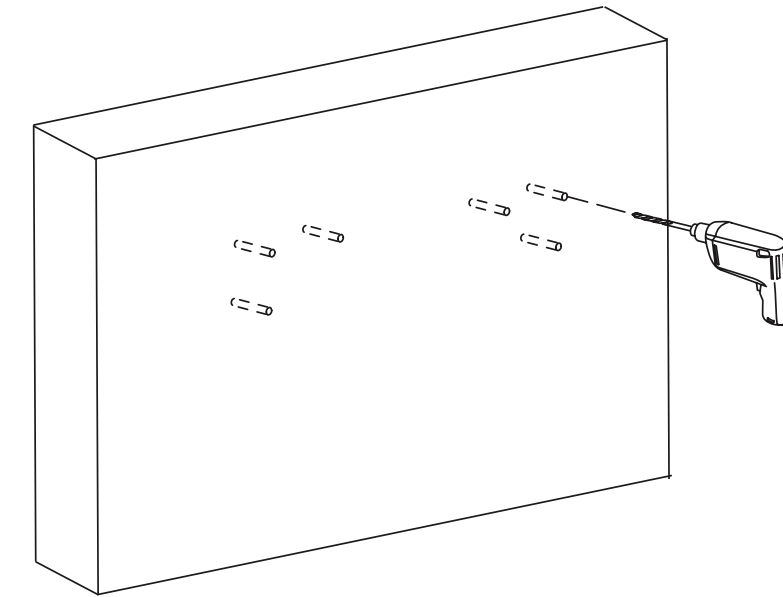
Required tools



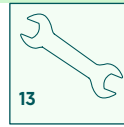
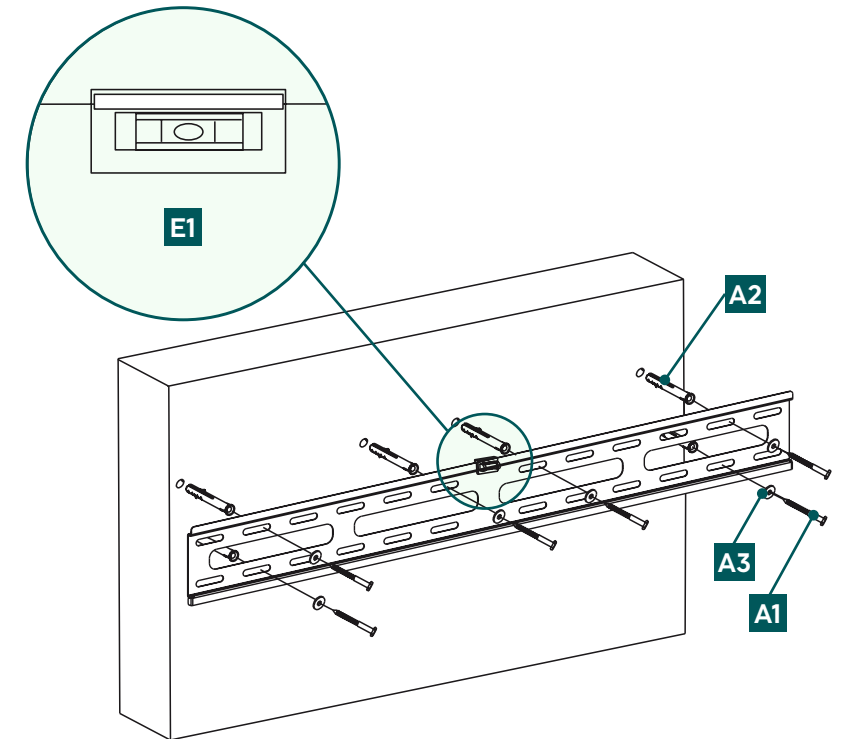
Installation kit

| | | | | | |
|-----------|--|-------------|-----------|--|------------|
| A1 | | 8x60 (x6) | C2 | | M6x20 (x4) |
| A2 | | Ø10x60 (x6) | D1 | | M8x12 (x4) |
| A3 | | M8 (x6) | D2 | | M8x20 (x4) |
| B1 | | M6 (x4) | D3 | | M8x30 (x4) |
| B2 | | Ø8x10 (x4) | D4 | | M8x50 (x4) |
| B3 | | Ø8x20 (x4) | E1 | | (x1) |
| C1 | | M6x12 (x4) | | | |

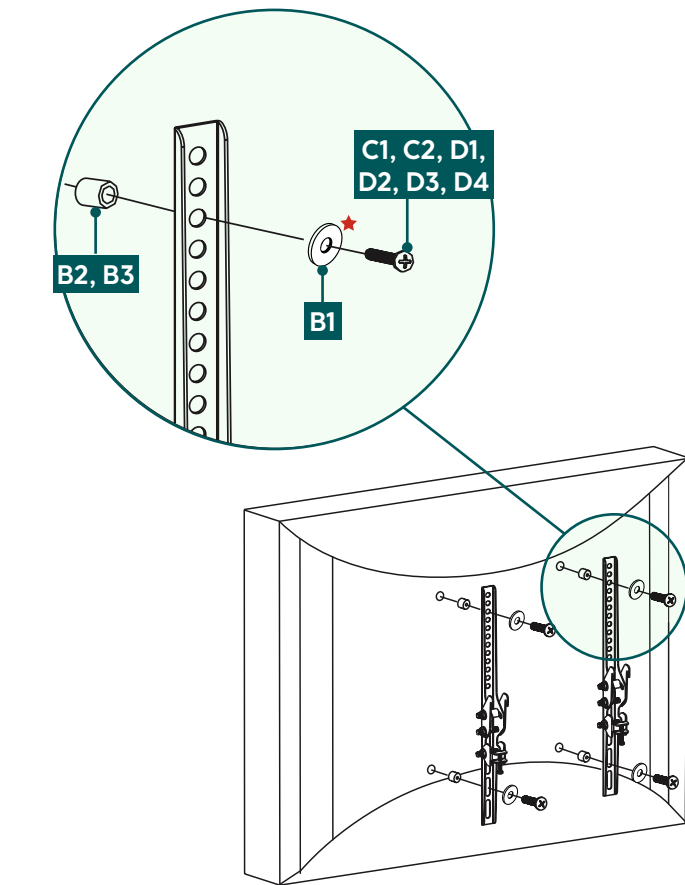
1 Drilling the holes



2 Wall mounting the bracket



3 Mounting on the TV



Flat TV backside

C1, D1, D4 + B1

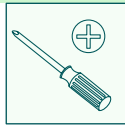
Curved TV backside

C2, D2, D4 + B1 + B2

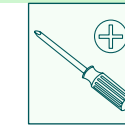
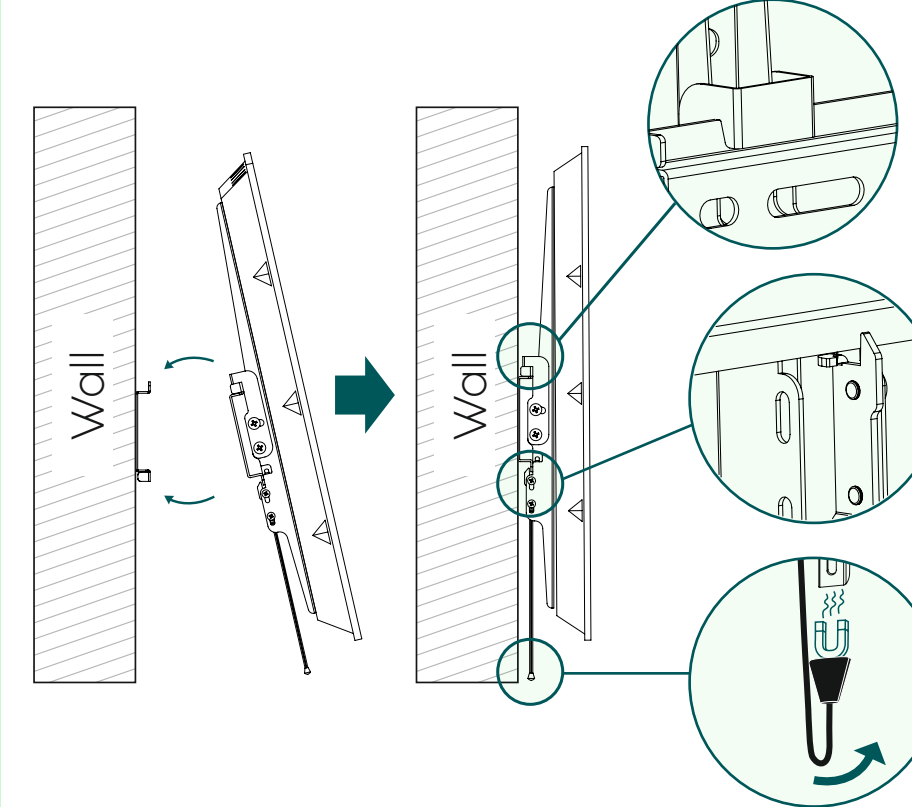
D3, D4 + B3

★ You do not need a washer for the D-screws

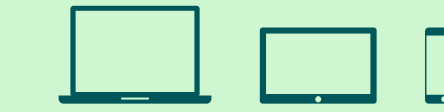
M8x50 + Ø8x5 = M8x45 (D4)



4 Mounting TV on bracket



Do you need more help?



Scan QR or visit: www.hama.com
 00220815 Downloads

