

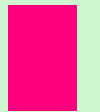
 Do you need more help?



Scan QR or visit:
support.hama.com/00220812

We are so happy you chose a hama product.

Enjoy using it!

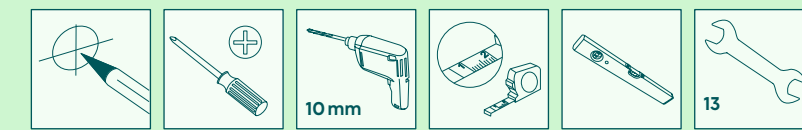


hama



Quick Installation Guide

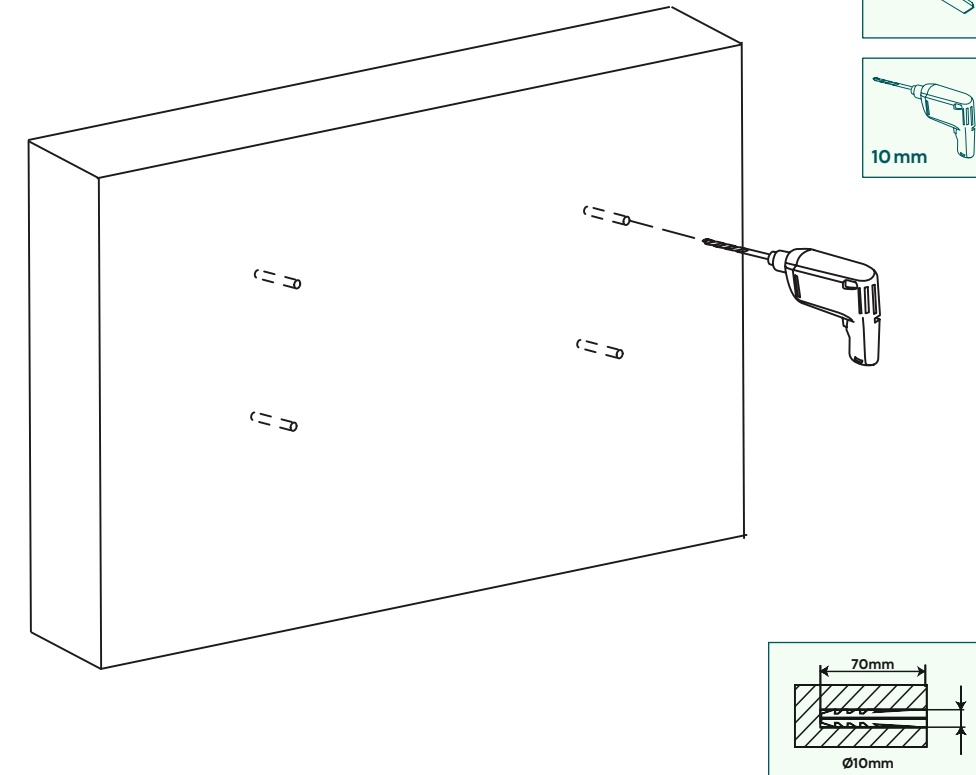
Required tools



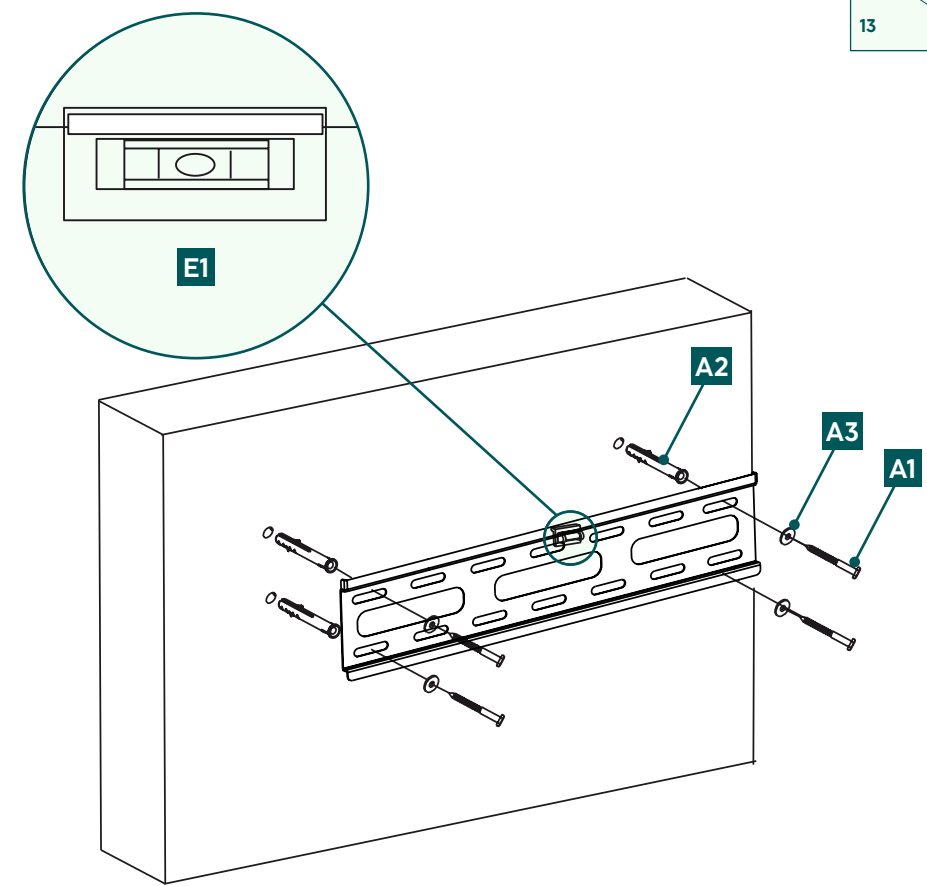
Installation kit

A1		8x70 (x4)	C2		M6x20 (x4)
A2		Ø10x60 (x4)	D1		M8x12 (x4)
A3		M8 (x4)	D2		M8x20 (x4)
B1		M6 (x4)	D3		M8x30 (x4)
B2		Ø8x10 (x4)	D4		M8x50 (x4)
B3		Ø8x20 (x4)	E1		(x1)
C1		M6x12 (x4)			

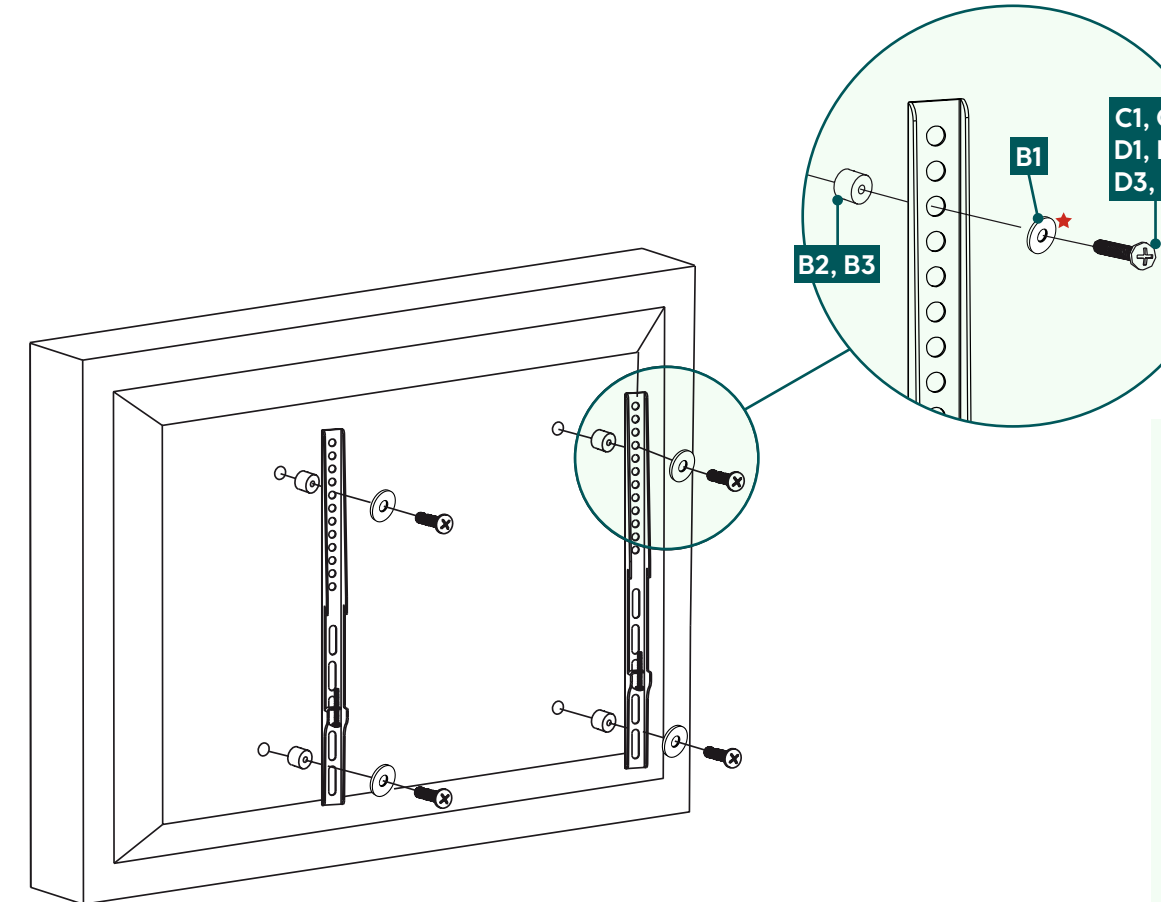
1 Drilling the holes



2 Wall mounting the bracket



3 Mounting on backside of the TV



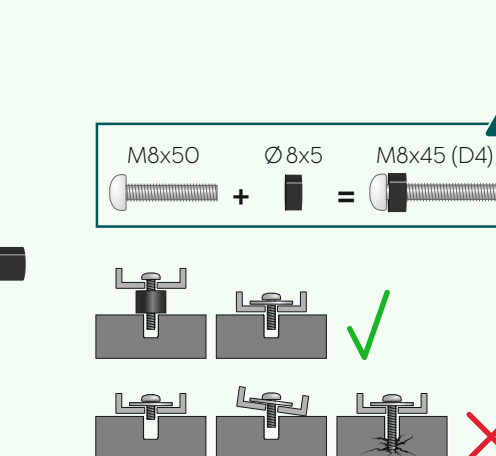
Flat TV backside

C1, D1, D4 + B1

C2, D2, D4 + B1 + B2

D3, D4 + B3

★ You do not need a washer for the D-screws



4 Adjustment & Fixing

