

 Do you need more help?



Scan QR or visit: [www.hama.com](http://www.hama.com)  
➔ 🔍 ➔ 00220808 ➔ Downloads

We are so happy you chose a hama product.

*Enjoy using it!*

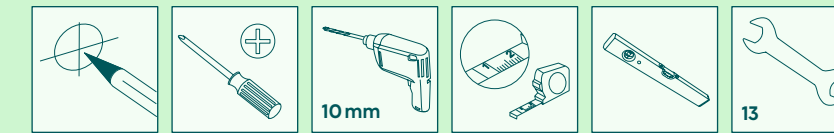


**hama**



# Quick Installation Guide

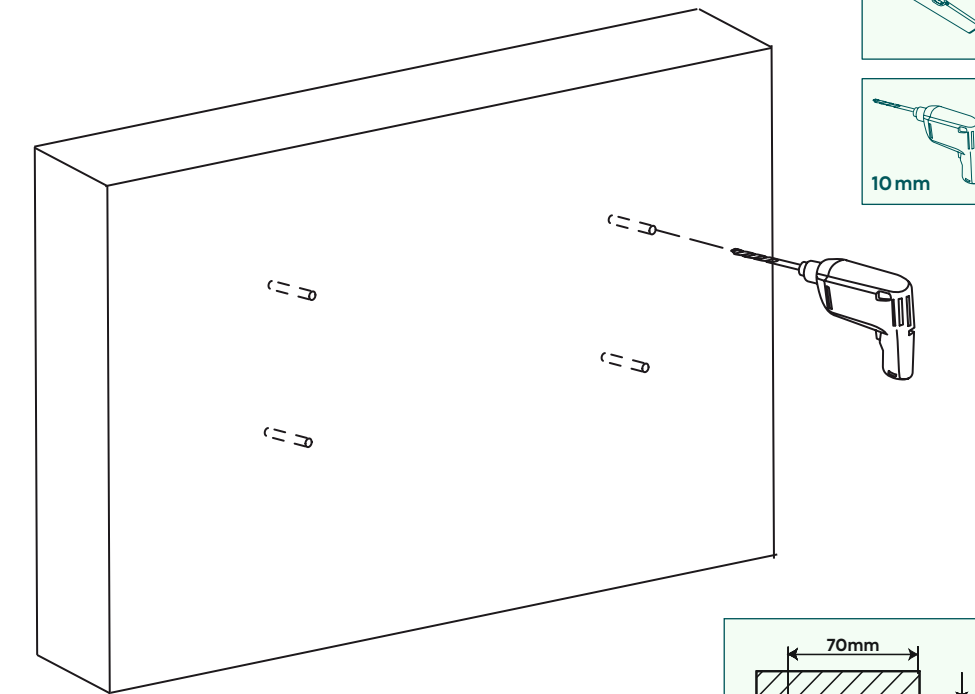
## Required tools



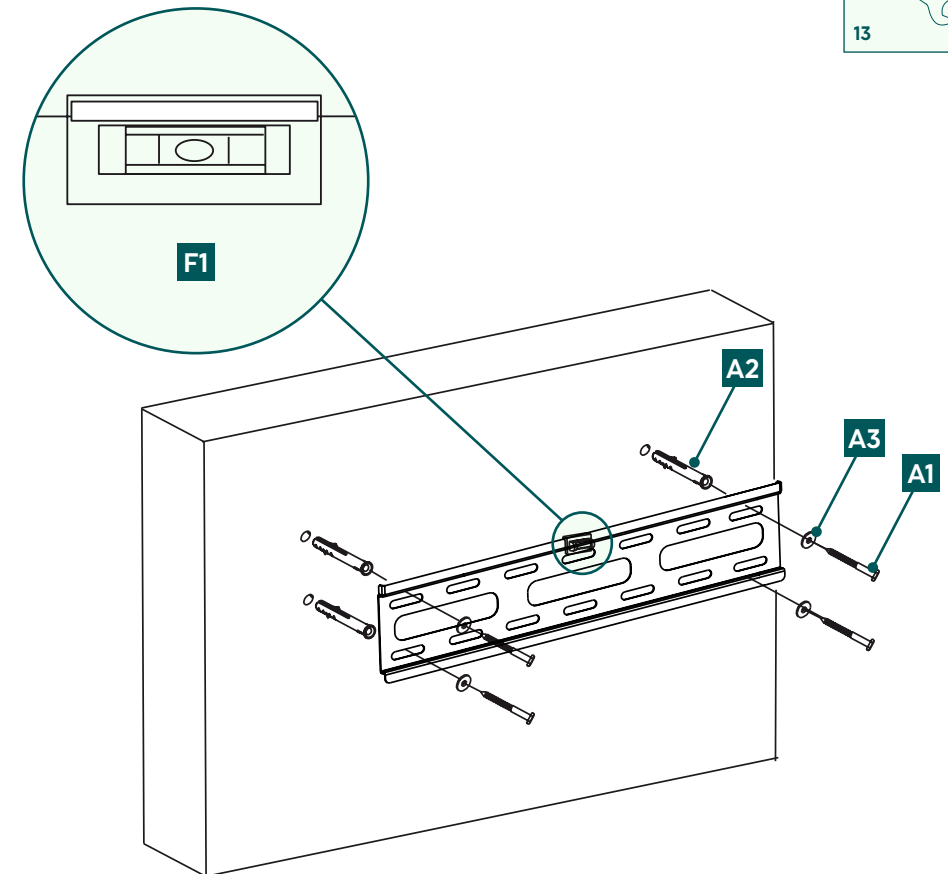
## Installation kit

<b>A1</b>		8x50 (x4)	<b>D1</b>		M8x12 (x4)
<b>A2</b>		Ø10x60 (x4)	<b>D2</b>		M8x20 (x4)
<b>A3</b>		M8 (x4)	<b>D3</b>		M8x30 (x4)
<b>B1</b>		M6 (x4)	<b>D4</b>		M8x50 (x4)
<b>B2</b>		Ø8x10 (x4)	<b>E1</b>		M4x12 (x4)
<b>B3</b>		Ø8x20 (x4)	<b>E2</b>		M4x20 (x4)
<b>C1</b>		M6x12 (x4)	<b>F1</b>		(x1)
<b>C2</b>		M6x20 (x4)			

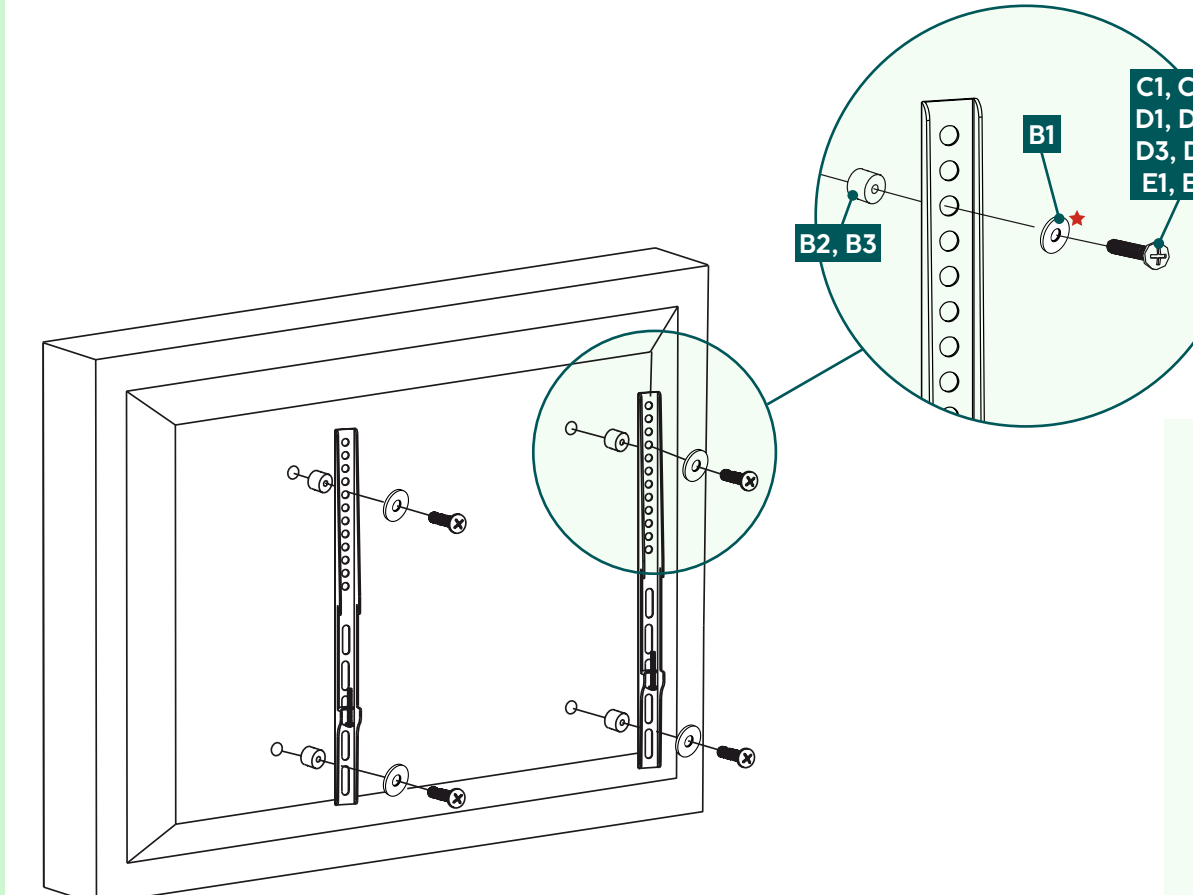
## 1 Drilling the holes



## 2 Wall mounting the bracket



## 3 Mounting on backside of the TV



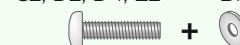
### Flat TV backside

C1, D1, D4, E1 B1



### Curved TV backside

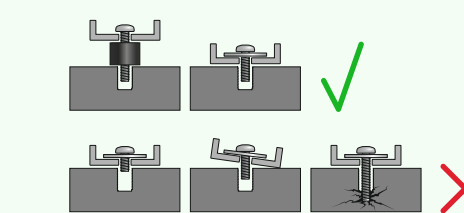
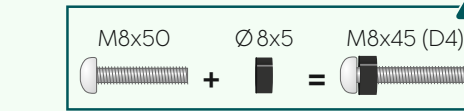
C2, D2, D4, E2 B1 B2



D3, D4 B3



★ You do not need a washer for the D-screws



## 4 Adjustment & Fixing

