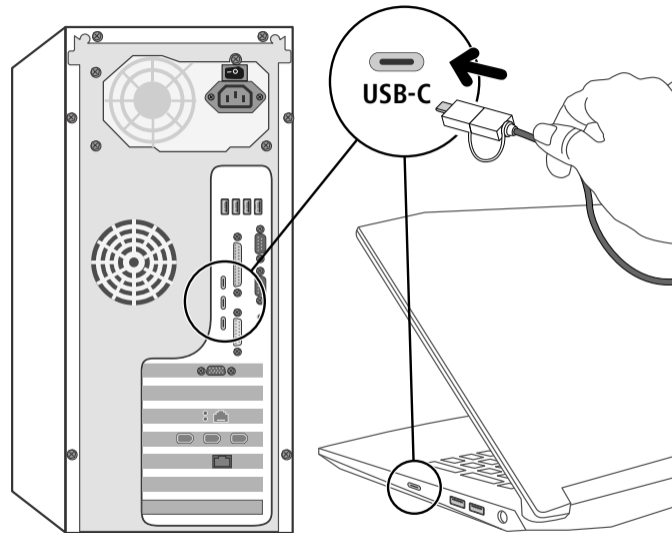
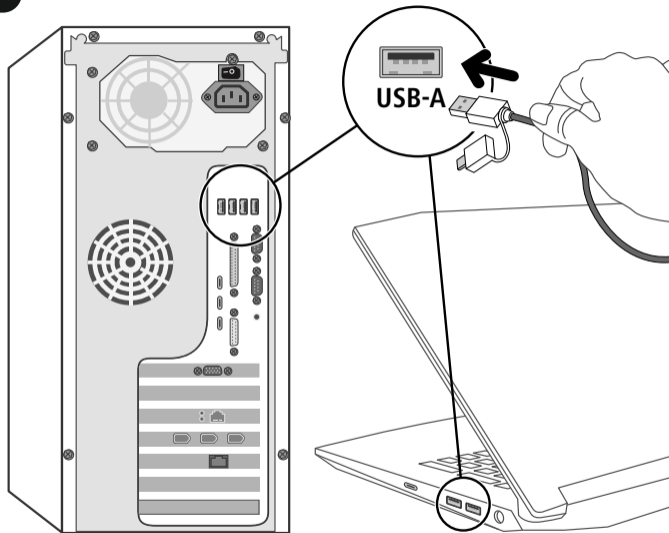
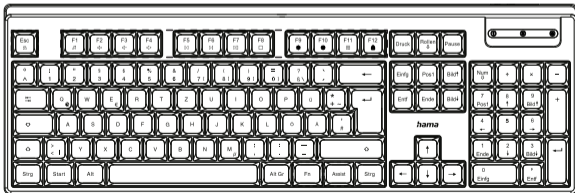
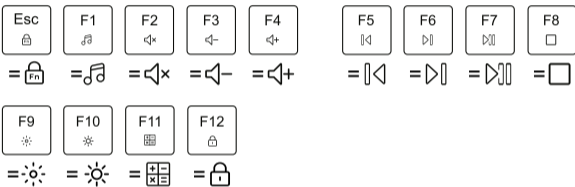


A

Assist = AI assistant

Fn +



hama

Hama GmbH & Co KG
86652 Monheim / Germany
www.hama.com



www.hama.com/nep

All listed brands are trademarks of the corresponding companies. Errors and omissions excepted, and subject to technical changes. Our general terms of delivery and payment are applied.



xx0173050/03.24