

00054843
(SIRIUM4000ABT)

hama[®]

THE SMART SOLUTION

Soundbar with subwoofer

Soundbar mit Subwoofer



Operating Instructions / Bedienungsanleitung / Mode d'emploi / Instrucciones de uso /
Руководство по эксплуатации / Istruzioni per l'uso / Gebruiksaanwijzing / Οδηγίες χρήσης / Instrukcja obsługi /
Használati útmutató / Návod k použití / Návod na použitie / Manual de instruções / Kullanma kılavuzu /
Manual de utilizare / Bruksanvisning / Käyttöohje / Работна инструкция / Betjeningsvejledning / Manuelt stasjonssøk

Alexa Voice Service

Voice Control	✓
Number of Microphones	3
Microphone Array	Far-Field

Connectivity / Konnektivität

WiFi (Standard); (Encryption, WPS)	WiFi 2.4GHz (b/g/n) 2x2 Mimo; WPA, WPA2, WPS
Bluetooth (Standard)	4.0
USB	Playback
Digital Optical IN	✓
Digital Coaxial IN	✓
RCA (Cinch) IN	✓
AUX-IN	✓

Equalizer / DSP / Equalizer / DSP

Profiles	3 modes (CINEMA, MUSIC, VOICE)
----------	-----------------------------------

Streaming / Streaming

Wifi Stream (DLNA compatible)	✓
UPNP	✓

Speaker / Lautsprecher

Tweeters	2x 1/2"
Mid-Woofers	4x 2.25"
Frequency Range	20 Hz ~ 20 KHz
Amplifier Class	Class D

Other Details and Specification

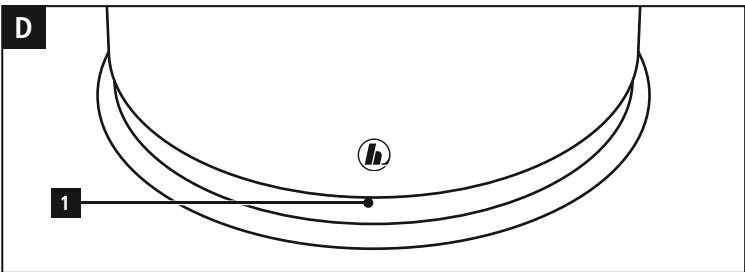
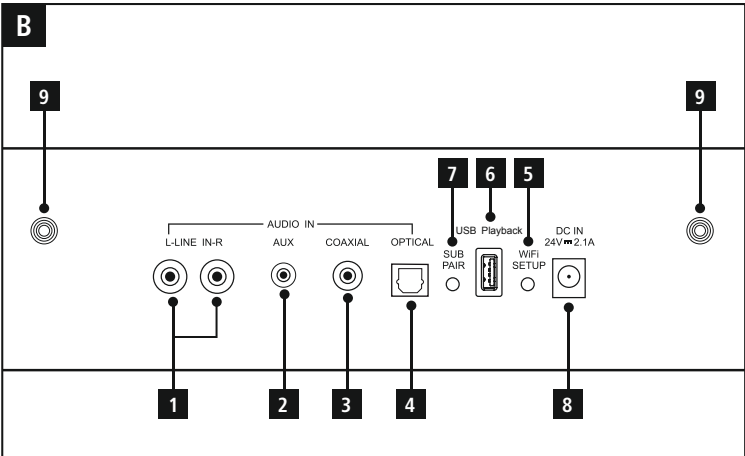
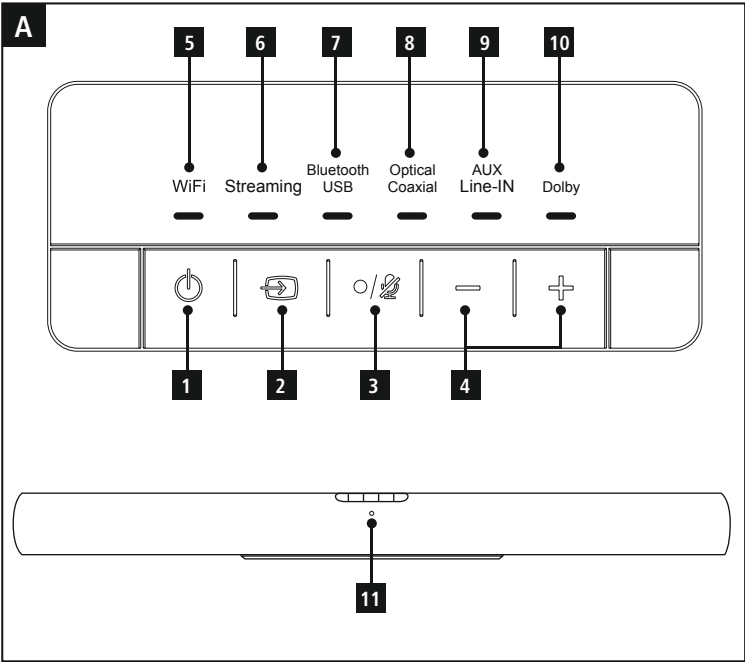
Remote	Hama SRC-1805
Batterys	2x AAA
Wall Mount Possibility	✓
Power Consumption Soundbar	max. 50 W Standby: < 3 W
Power Consumption Subwoofer	max. 45 W Standby: < 0.5 W
Dimensions (W x H x D)	90 cm x 8 cm x 8 cm
Weight	Subwoofer 5.3 kg Soundbar 2.1 kg

Subwoofer / Tieftöner

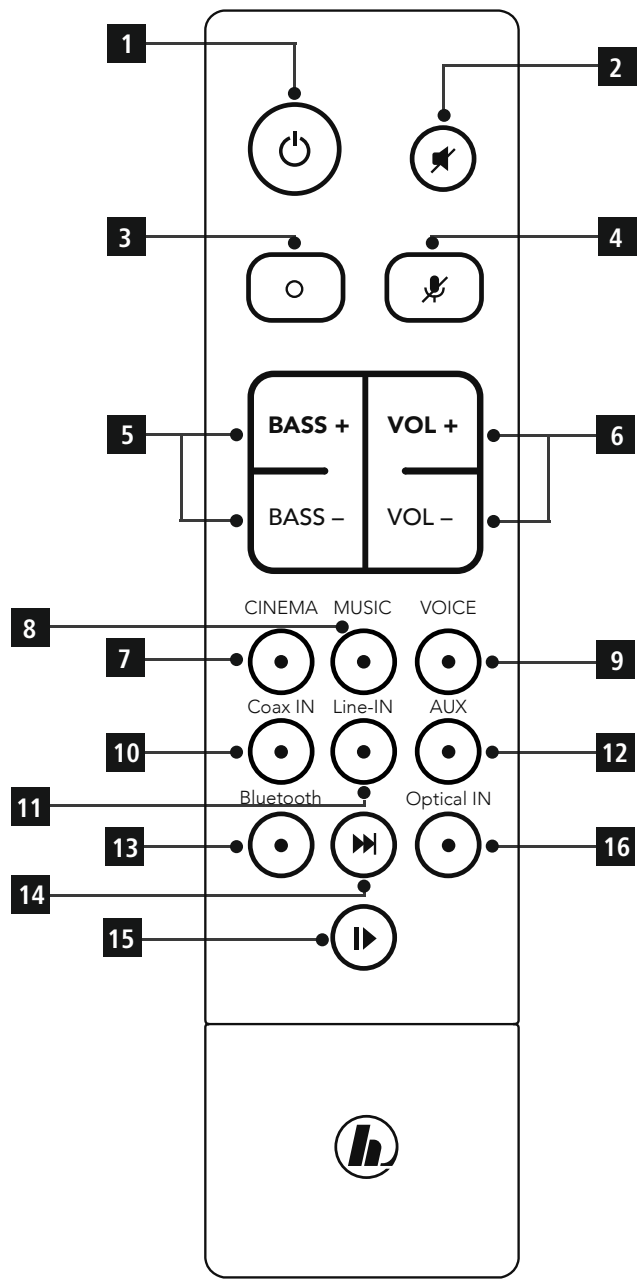
Driver	1x 6.5"
Frequency Range	20 Hz ~ 150 Hz
Amplifier Class	Class D

Standards & Decoders / Standards & Decoder

Dolby Certification	Dolby 2.1
Max. Audio Resolution (Hi-Res)	192 kHz / 24 bit
Supported Hi-Res Audio Codecs	FLAC, ALAC
Multiroom	✓



C



Controls and Displays

A: Soundbar control panel

1	[POWER] button
2	[MODE] button
3	[AKTION / MIKROPHON MUTE]-Taste
4	[VOLUME] +/- buttons
5	Network status LED
6	Streaming status LED
7	Bluetooth®/USB status LED
8	Optical/Coaxial status LED
9	AUX/Line In status LED
10	Dolby status LED
11	Alexa status LED

B: Rear

1	Line In socket L/R
2	AUX In socket
3	Coaxial socket
4	Optical In socket
5	[WIFI SETUP] button (pairing with network)
6	USB playback
7	[PAIRING] button (pairing with subwoofer)
8	Mains lead
9	Thread for attaching to the wall bracket

C: Remote Control

1	[POWER] button
2	[MUTE] button
3	[Action] button
4	[MUTE] button for microphone
5	[BASS] +/- buttons
6	[VOLUME] +/- buttons
7	CINEMA
8	MUSIC
9	VOICE
10	COAX IN mode
11	LINE In mode
12	AUX In mode
13	Bluetooth® mode
14	Next title
15	[PLAY/PAUSE] button
16	Optical In mode

D: Subwoofer

1	[PAIRING] button subwoofer
---	----------------------------

LED indicator

Wifi	Streaming	Bluetooth USB	Optical Coaxial	Aux Line-IN	Dolby	Alexa LED	
Off							Power off.
Flashes							WPS is active.
Pulsates							The first-time setup can be performed using the Hama Smart Audio app.
Flashes slowly							There is no connection to the network.
	Constantly lit						The soundbar is in Streaming mode. Audio files are played (for example, from the Internet radio).
		Flashes quickly					The soundbar is in Bluetooth Pairing mode. The first-time connection to a mobile device can be made.
		Constantly lit					The soundbar is in Bluetooth mode. A connection to a mobile device was successfully made.
		Flashes slowly					The soundbar is in Bluetooth mode. There is no connection to a mobile device.
		Constantly lit					The soundbar is in USB mode. An external storage medium can be connected.
			Constantly lit				The soundbar is in Optical mode. A terminal device can be connected via the digital input.
			Constantly lit				The soundbar is in Coaxial mode. A terminal device can be connected via the digital input.
				Constantly lit			The soundbar is in AUX mode. A terminal device can be connected via the analogue input. Audio files can be played back via AUX In.

Wifi	Streaming	Bluetooth USB	Optical Coaxial	Aux Line-IN	Dolby	Alexa LED	
				Constantly lit			The soundbar is in Line-In mode. A terminal device can be connected via the analogue input. Audio files can be played back via Line In.
					Constantly lit		The audio signal is played with Dolby.
						Constantly lit	The Mute mode is activated. All microphones are muted. Alexa does not respond to the wake word.
						Flashes quickly	A software update is in progress. Do not interrupt the power supply. Alexa is not able to accept voice commands.
						Flashes slowly	There is no Internet connection. Alexa is not able to accept voice commands.
						Constantly lit	Alexa is active and can accept voice commands.
						Flashes quickly, alternating between blue and cyan	Alexa is processing a voice command. A reply is being prepared. No further voice commands can be given.
						Flashes slowly, alternating between blue and cyan	Alexa is responding/replying to a voice command.
						Not lit	Alexa is in Standby mode. Use the wake word / Push-to-talk button to activate Alexa.
						Flashes slowly	Alexa indicates that there is a new message / a (missed) call.

Content

1. Explanation of Warning Symbols and Notes	5
2. Package Contents	5
3. Safety Notes	5
4. Before getting started	6
5. Getting started	6
6. Setting up the soundbar	6
6.1. Downloading the Hama Smart Audio app	6
6.2. First-time setup of the device	6
7. <i>Bluetooth</i> [®] pairing	10
8. Automatic <i>Bluetooth</i> [®] connection	11
9. Terminate <i>Bluetooth</i> [®] connection	11
10. Connection via Auxiliary Input / Line In	11
11. Connection via optical/coaxial input	11
12. Alexa function (voice control)	12
13. Positioning in the room.	12
14. Equaliser profiles	12
15. Bass control.	12
16. Volume control	12
17. Wireless connection (WLAN)	12
18. Connecting to another home network	13
19. Connection between subwoofer and soundbar (pairing)	13
20. Using your existing remote control	13
21. Factory settings.	13
22. Software updates	14
23. Wall mounting.	14
24. Care and Maintenance	14
25. Warranty Disclaimer	14
26. Service and Support	14
27. Recycling Information	14
28. Declaration of Conformity.	14

Thank you for choosing a Hama product.

Take your time and read the following instructions and information completely. Please keep these instructions in a safe place for future reference. If you sell the device, please pass these operating instructions on to the new owner.

1. Explanation of Warning Symbols and Notes



Risk of electric shock

This symbol indicates product parts energized with a dangerous voltage of sufficient magnitude to constitute a risk of electric shock.



Warning

This symbol is used to indicate safety instructions or to draw your attention to specific hazards and risks.



Note

This symbol is used to indicate additional information or important notes.

2. Package Contents

- Smart-Soundbar „SIRIUM4000ABT“
- Wireless Subwoofer
- Remote control Hama SRC1805
- 2x AAA batteries
- 1 x optical signal cable
- AC/DC adapter
- Quick guide, brochure

3. Safety Notes

- The product is intended for private, non-commercial use only.
- Protect the product from dirt, moisture and overheating and use it in dry rooms only.
- As with all electrical devices, this device should be kept out of the reach of children.
- Do not drop the product and do not expose it to any major shocks.
- Do not operate the product outside the power limits given in the specifications.
- Keep the packaging material out of the reach of children due to the risk of suffocation.
- Dispose of packaging material immediately according to locally applicable regulations.
- Do not modify the device in any way. Doing so voids the warranty.



Risk of electric shock

- Do not open the device or continue to operate it if it becomes damaged.
- Do not use the product if the AC adapter, adapter cable or power cable is damaged.
- Do not attempt to service or repair the device yourself. Leave any service work to qualified experts.



Warning – Batteries:

- When inserting batteries, note the correct polarity (+ and - markings) and insert the batteries accordingly. Failure to do so could result in the batteries leaking or exploding.
- Do not allow children to change batteries without supervision.
- Do not mix old and new batteries or batteries of a different type or make.
- Remove the batteries from products that are not being used for an extended period
- Do not short-circuit batteries.
- Do not charge batteries.
- Do not throw batteries in a fire.
- Keep batteries out of the reach of children.



4. Before getting started

Getting started with the remote control

Open the battery compartment cover. It is located on the rear of the remote control and can be opened by sliding it in the direction indicated.

Two AAA batteries are included in the delivery, they should be inserted in the battery compartment of the remote control. Observe the correct polarity when inserting batteries. The polarity (+ / -) is indicated in the battery compartment.

5. Getting started

Warning

- Connect the product only to a socket that has been approved for the device. The socket must be installed close to the product and must be easily accessible.
- Disconnect the product from the power supply using the on/off switch – if this is not available, unplug the power cord from the socket.
- When using a multi-socket power strip, make sure that the sum power draw of all the connected devices does not exceed its maximum throughput rating.
- If you will not be using the product for a long period of time, disconnect it from mains power.

Turning on the product

- Connect the power cables of the soundbar and the subwoofer to properly installed power sockets.
- Press **[POWER]** (1) to switch on the soundbar. Alternatively, press the **[POWER]** button (1) on the remote control.

Note – Turning on for the first time

- In the as-shipped state, the soundbar and subwoofer are already paired.
- When switched on for the first time, the soundbar is in 'First-time setup of device' mode as soon as the network status LED (5) pulsates.
- If the Setup mode is not active, briefly press the **[WIFI SETUP]** button (5) on the back of the device to activate the WPS mode. The status LED begins to flash.
- Alternatively, press and hold the **[WIFI SETUP]** button for about 7 seconds to open an Access Point. The status LED begins to pulsate.

6. Setting up the soundbar

Note

- To be able to use the product's full range of functions, you must additionally download the Amazon Alexa app and create an Amazon account. For this purpose, follow the instructions in the Amazon Alexa app. Further information can be found at www.amazon.co.uk
- Make sure that your terminal device has the necessary ports for connection to the soundbar. Please refer to the operating instructions for the terminal device you are using.

6.1. Downloading the Hama Smart Audio app

Note

The following operating systems are supported:

- iOS 8 or higher
 - Android 4.4.2 or higher
- Open the iTunes App Store or Google Play Store on your smartphone.
 - Use the search function to find the app.
 - Download the app in the usual way and install it on your smartphone. To do this, follow the instructions on your smartphone.

6.2. First-time setup of the device with the Hama Smart Audio app (ALEXA function)

Note – WLAN (wireless network)

- Ensure that the router is switched on, is functioning correctly and that there is a connection to the internet.
- Activate the WLAN function of your router.

Note

Please note that the **SIRIUM4000ABT** does not support 5-GHz networks. You should therefore enable a 2.4-GHz WLAN connection in the configuration interface of your router/access point.

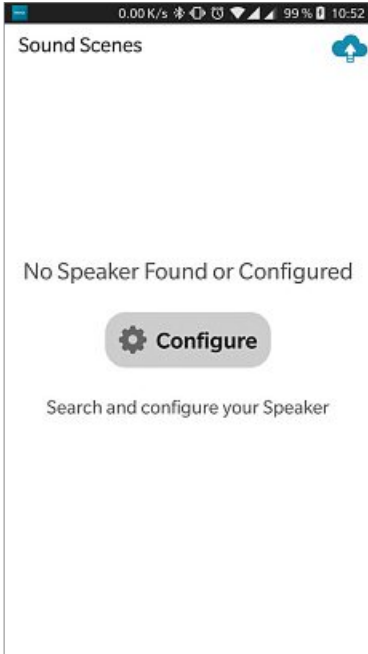
- Follow your router's operating instructions as regards the correct functioning of the WLAN connection.
- Make sure that the soundbar is in WLAN pairing mode. The network status LED (5) pulsates.



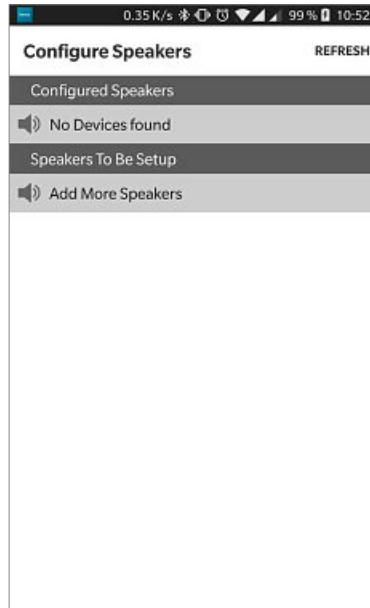
Note

Should the soundbar not be in pairing mode, you will find further information on configuration in Chapters 17 and 18.

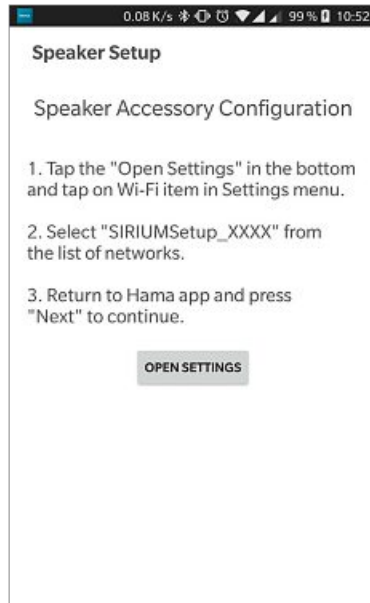
- Make sure that the Hama Smart Audio app, along with all updates, is installed on your smartphone.
- Open the Hama Smart Audio app and tap **[CONFIGURE]**.



- Then tap **[Add More Speakers]**.



- Open your smartphone's WLAN settings by tapping **[OPEN Settings]**.



- Search for the access point of the **Hama SIRIUM4000ABT** soundbar in your smartphone's WLAN settings.

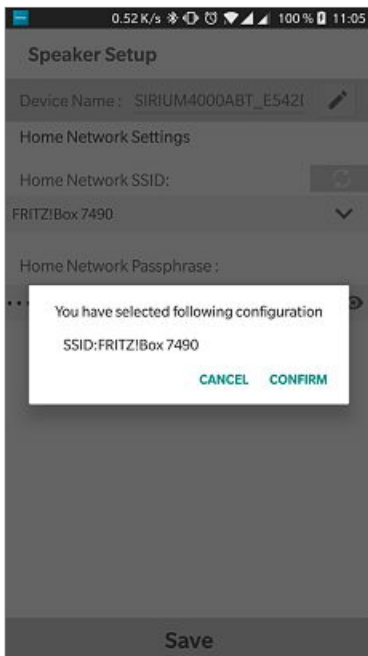


- Connect your smartphone to the soundbar and confirm the connection.
- Now return to the Hama Smart Audio app on your smartphone. On Android devices, you return to the setup using the Back button. On iOS devices, you must switch the application or use the left-pointing arrow displayed at the upper-left edge of the screen.
- The process should now continue automatically, and you can access network setup. However, if this is not the case, confirm with **[NEXT]**.
- You can access setup of the network you want to connect your soundbar to. Select the desired WLAN name (SSID) from the list of available networks. If necessary, enter the key (Pre-Shared Key) for this WLAN and confirm your entry with **[Save]**.

Note

- Often the Pre-Shared Key is printed on the back or bottom of the router or access point.
- When entering the key, take notice of capitalisation.

- Confirm the selected settings by tapping **[CONFIRM]**.



- The soundbar now connects to the network. After successful connection, the message 'Configured Successfully SIRIUM...' is displayed on your smartphone.

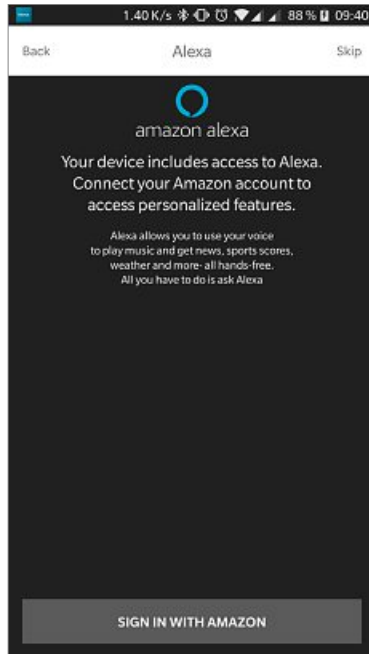


- The network status LED (5) is constantly lit green if the connection was successful.

Note

- On iOS devices, the app may now close and have to be restarted. Then follow the next two steps.
- The configured soundbar should now be displayed in the main menu. Press the soundbar's icon.
- Tap **[Sources]** at the lower edge of the screen to set up a connection to your Amazon account.
- Then tap the **[Amazon Alexa]** button.

- Tap **[Sign in with Amazon]** to open the Web browser for entering your access data.

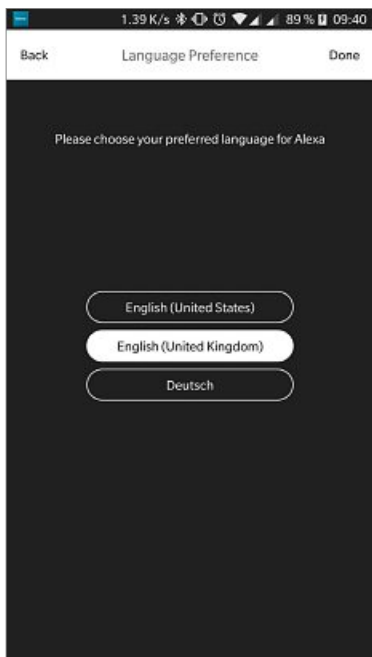


Note

- If the Amazon Shopping app has already been installed and set up on your smartphone, the following steps are skipped.
- Enter the access data for your Amazon account using your smartphone's keyboard, and confirm your entry with Sign in.
- Alternatively, you can create a new Amazon account by tapping **[Create a new Amazon account]**.
- After successful sign-in, you return to the Hama Smart Audio app.



- Now select the language that you want Alexa to respond to in the future.



- Open the Amazon Alexa app and, if necessary, enter your access data once again. After that, you should find the SIRIUM soundbar among your active devices.
- Then specify your personal settings (time zone, device name, etc.) in the Amazon Alexa app. Further information can be found at www.amazon.co.uk -> Help and Customer Service.

Note

- Note that location-dependent information for queries (for example, 'What's the weather?') will only be accurate if the correct location information was entered in the Alexa app.
- You can now use Alexa as described in Chapter 12.

7. Bluetooth® pairing

You can pair your terminal device with the soundbar via *Bluetooth*® and use the soundbar as a playback device for audio signals. You can control playback directly on your terminal device or using the remote control. The volume can also be controlled directly on the soundbar.

Note – Bluetooth®

- Check whether your mobile device (smartphone, tablet, etc.) is *Bluetooth*®-capable.
- Note that the maximum range for *Bluetooth*® is 10 metres without obstacles such as walls, people, etc.
- The *Bluetooth*® connection may be disrupted by other *Bluetooth*® devices/connections in the vicinity.
- It is only possible to connect the soundbar to one terminal device.
- Note that compatibility depends on the supported *Bluetooth*® profiles as well as the *Bluetooth*® versions being used. (See Technical specifications, operating instructions of the terminal device in use)
- Make sure that your *Bluetooth*®-capable terminal device is on and *Bluetooth*® is activated.
- Activate the *Bluetooth*® mode by repeatedly pressing the [MODE] button (2) on the soundbar.
- Alternatively, press [Bluetooth®] (13) on the remote control.
- The *Bluetooth*® status LED (7) begins to pulsate blue.
- Press and hold [MODE] (2) for about 5 seconds to activate the pairing mode. The *Bluetooth*® status LED (7) begins to flash quickly.
- Open the *Bluetooth*® settings on your terminal device and wait until **Hama SIRIUM4000ABT** appears in the list of *Bluetooth*® devices found.
- If necessary, start searching for *Bluetooth*® devices on your terminal device.
- Select the **Hama SIRIUM4000ABT** soundbar in the list of available devices and wait until the soundbar is shown as connected in the *Bluetooth*® settings on your terminal device.
- The *Bluetooth*® status LED (7) is now constantly lit blue.
- Start and control audio playback using the controls of your terminal device or the remote control.

Note – Bluetooth® password

- Some terminal devices require a password in order to connect to another *Bluetooth*® device.
- If your terminal device requests a password for connection to the speaker, enter **0000**.



8. Automatic *Bluetooth*® connection (after successful pairing)

- Terminal devices already paired with the soundbar are automatically saved on the soundbar.

Note – Impaired connection

After the soundbar and terminal device have been paired, a connection is established automatically. If the *Bluetooth*® connection is not established automatically, check the following:

- Check the *Bluetooth*® settings of your terminal device to see whether the HAMA SIRIUM4000ABT is connected. If not, repeat the steps listed under *Bluetooth*® pairing.
- Check whether your terminal device and the soundbar are less than 10 metres apart. If not, move the devices closer together.
- Check whether obstacles are impairing the range. If so, move the devices closer together.

9. Terminate *Bluetooth*® connection

- To terminate the *Bluetooth*® connection between the soundbar and terminal device, switch to another mode.
- Alternatively, you can terminate the connection manually on your terminal device.

10. Connection via Auxiliary Input / Line In

You can use the analogue audio inputs (Line In / AUX) to connect mobile devices (for example, smartphone, tablet PC, MP3 player, etc.) and older analogue sources (CD/DVD player etc.) to the soundbar and play their audio signals using the soundbar. For the connection, you can use either a 3.5-mm audio cable (jack cable) or an RCA cable.

Note

- Switch off the soundbar before connecting a terminal device.
- Do not bend or crush the cable.
- For playback using the LINE In connection, connect your terminal device to the soundbar using the LINE In socket (1) and an RCA cable, and select the LINE In mode.
- For playback using the AUX connection, connect your terminal device to the soundbar using the AUX socket (2) and a 3.5-mm audio cable (jack cable), and select the AUX mode.

- Press **[POWER]** (1) to switch on the soundbar.
- Activate the Line In or AUX mode by repeatedly pressing the **[MODE]** button (2) on the soundbar.
- The AUX/Line In status LED (9) is lit red if the LINE IN mode was selected, blue if the AUX mode was selected.
- Alternatively, press **[AUX]** (12) on the remote control for a connection using a 3.5-mm audio cable (jack cable), or **[LINE In]** (11) for a connection using an RCA cable.

11. Connection via optical/coaxial input

You can use the soundbar's digital audio inputs to connect your terminal device (for example, TV set) and play its audio signals using the soundbar. For the connection, you can use either an optical signal cable or a coaxial cable.

Note

- Switch off the soundbar before connecting a terminal device.
- Remove the protective caps from both ends of the optical signal cable before connection.
- Do not bend or crush the cable.
- For playback using the optical audio input, connect one end of the optical signal cable (supplied) to the optical audio input (4) on the soundbar, the other end to the optical audio output on your terminal device; then select the Optical mode.
- For playback using the coaxial audio input, connect one end of a coaxial cable to the coaxial audio input (3) on the soundbar, the other end to the coaxial audio output on your terminal device; then select the Coaxial mode.
- Press and hold **[POWER]** (1) for about 3 seconds to switch on the soundbar.
- Activate the Optical or Coaxial mode by repeatedly pressing the **[MODE]** button (2) on the soundbar.
- The Optical/Coaxial status LED (8) is lit blue if the Optical mode was selected, red if the Coaxial mode was selected.
- Alternatively, press **[Optical In]** (16) on the remote control for a connection using an optical signal cable, or **[Coax In]** (10) for a connection using a coaxial cable.



12. Alexa function (voice control)

- After you have said the wake word ('Alexa') or pressed the [**Action / Microphone mute**] button (3), the Alexa status LED (11) is lit blue and a signal tone sounds. You can now speak with Alexa.
- The Alexa status LED (11) flashes blue while Alexa answers.

Note - Alexa Push to talk / function key

- Briefly press the [Action / Microphone mute] button (3) on the soundbar to activate Alexa during audio operation or high volume. Alternatively, press the Action button (3) on the remote control.
- Press and hold the [Action / Microphone mute] button (3) for about 3 seconds to switch off the microphone. Alternatively, press the [**MUTE**] button (4) on the remote control. The soundbar will now no longer respond to the wake word until the microphone is activated again. If the microphone is switched off, the soundbar can still be operated using the buttons on the soundbar or remote control.

13. Positioning in the room

- The soundbar can be mounted above or below the television. It can also be positioned on furniture. The subwoofer is placed on the floor near to the television.

Note

- Make sure that the soundbar is set up horizontally.
- To prevent audio quality limitations, the connection side of the soundbar should always point towards the television.
- Do not place the soundbar inside a cabinet.

14. Equaliser profiles

You can choose between three different equaliser modes for the playback of your audio signals:

- Cinema mode emphasises low and very low frequencies, as well as trebles. The large dynamic range of spectacular film productions is played back impressively.
- In Music mode, all audible frequencies are played back linearly (equally loud) if possible. Nothing is artificially over- or underemphasised; the behaviour of the soundbar is neutral. Music sounds just how it was recorded.

- Voice mode focuses on the human voice, which lies mid-range in the audible frequency spectrum. Spoken word is played back particularly clearly in this mode.
- Press the [**CINEMA**] button (7) on the remote control to activate Cinema mode.
- Press the [**MUSIC**] button (8) on the remote control to activate Music mode.
- Press the [**VOICE**] button (9) on the remote control to activate Voice mode.

15. Bass control

- Press [**BASS+/-**] (5) on the remote control to increase or reduce the bass of the subwoofer.
- Alternatively, press [**MODE**] (2) and [**VOLUME +/-**] (4) at the same time to increase or reduce the bass of the subwoofer.

16. Volume control

- Press [**VOLUME +/-**] (4) on the soundbar to increase or reduce the soundbar's volume.
- Alternatively, press [**VOL+/-**] (6) on the remote control or use the Hama Smart Audio app.

17. Wireless connection (WLAN)

Depending on the network, there are a number of ways to connect to it.

PBC setup

- Press and hold the [**WIFI SETUP**] button (network pairing) (5) for about 3 seconds.
- The network status LED (5) flashes green.
- Press the WPS button on your router or current access point. This can often be done using the web interface, as well.
- Consult the operating instructions of your router or access point for details.
- Once the process has been started on the router or access point, the soundbar should be able to find and connect to the network.

Note

- Press the [**WIFI SETUP**] button (network pairing) (5) to cancel PBC setup.



Open/unsecured network

Note

- We recommend against establishing unsecured connections and advise you to always protect your network against unauthorised access.
- If your desired network has no safeguards, it is enough to select the network from the list and confirm your selection. The soundbar then promptly connects to the access point.

18. Activate pairing mode / connection to another home network

- Press and hold the **[WIFI SETUP]** button (network pairing) (5) for about 5 seconds. The network status LED (5) pulsates.
- The soundbar can now be connected to a new network (as described in Section 6.2).

19. Connection between subwoofer and soundbar (pairing)

- Press and hold the **[PAIRING]** button on the subwoofer until the LED light of the subwoofer begins to flash.
- Then press the **[PAIRING]** button on the soundbar for about 5 seconds. The two devices then connect to one another automatically.

20. Using your existing remote control

Note – Remote control

- To enable programming, the remote control being taught must have an infrared transmitter.
- If the remote control has a different standard (for example, Bluetooth), learning is not possible.
- To check the standard: Point the remote control at your smartphone's camera. Check the remote control for light pulses. If there are light pulses on the remote control, it is an IR remote control.

Button programming

The soundbar has a learning function. It allows you to transfer up to three of your soundbar's functions to any remote control (for example, that of your TV set).

- Press and hold both **[VOLUME+/-]** buttons (4) on the soundbar at the same time. Keep them held for about 3 seconds to activate the learning mode. The LEDs on the soundbar begin to flash quickly.
- On the soundbar, press the button whose function you want to transfer to a button on the remote control.
- On the remote control, press the button to be programmed with the function.
- The LEDs (7), (8) and (9) on the soundbar flash blue to indicate successful learning. If learning has failed, these LEDs will flash red three times.

Note

- The learning process is ended without saving, if no button is pressed or no signal received for longer than 10 seconds.

Deleting programmed buttons

- Press the **[Action / Microphone mute]** (3), **[VOLUME +]** and **[VOLUME -]** (4) buttons at the same time to delete all buttons with learnt functions.

21. Factory settings

To reset the soundbar to the factory default settings, proceed as follows:

- Press and hold the **[MODE]** (2), **[Action / Microphone mute]** (3) and **[VOLUME -]** (4) buttons for about 6 seconds to reset the soundbar to the factory settings.
- The soundbar restarts after a successful reset.

Note

- Resetting to the factory default settings can solve some problems and malfunctions.
- However, all settings made previously, such as custom equaliser presets, favourites, and network profiles, are permanently deleted.

22. Software updates

- We are constantly developing new software features and improvements for our soundbars to fix problems, add functionality, etc.
- We recommend that you keep your soundbar's software up to date.
- You are informed about updates within the Hama Smart Audio app.

Warning

- Make sure there is a stable power supply before you start a software update.
- Power supply failure during a software update can cause irreparable damage to the soundbar.

23. Wall mounting

Note

- Ensure that the mount you have chosen can carry a load of at least 1.7 kg.
- Follow the directions and safety notes in the documentation of the mounting bracket.
- You can mount the soundbar to a wall using a suitable mounting bracket.
- For this purpose, use the mounting holes (9) on the rear of the soundbar.

24. Care and Maintenance

- Only clean this product with a slightly damp, lint-free cloth and do not use aggressive cleaning agents.
- If you do not use the product for a long time, turn off the device and disconnect it from the power supply. Store it in a clean, dry place out of direct sunlight.

25. Warranty Disclaimer

Hama GmbH & Co KG assumes no liability and provides no warranty for damage resulting from improper installation/ mounting, improper use of the product or from failure to observe the operating instructions and/ or safety notes.

26. Service and Support

Please contact Hama Product Consulting if you have any questions about this product
Hotline: +49 9091 502-115 (German/English)
Further support information can be found here:
www.hama.com

27. Recycling Information

Note on environmental protection:



After the implementation of the European Directive 2012/19/EU and 2006/66/EU in the national legal system, the following applies: Electric and electronic devices as well as batteries must not be disposed of with household waste. Consumers are obliged by law to return electrical and electronic devices as well as batteries at the end of their service lives to the public collecting points set up for this purpose or point of sale. Details to this are defined by the national law of the respective country. This symbol on the product, the instruction manual or the package indicates that a product is subject to these regulations. By recycling, reusing the materials or other forms of utilising old devices/batteries, you are making an important contribution to protecting our environment.

28. Declaration of Conformity

 Hereby, Hama GmbH & Co KG declares that the radio equipment type [00054843] is in compliance with Directive 2014/53/EU. The full text of the EU declaration of conformity is available at the following internet address:

www.hama.com -> 00054843-> Downloads

Frequency band(s)	2.412 GHz – 2.483 GHz 2.402 GHz - 2.480 GHz
Maximum radio-frequency power transmitted	19.5 dBm EIRP 8 dBm EIRP



hama®

Hama GmbH & Co KG
86652 Monheim/Germany
www.hama.com

The Spotify software is subject to third party licenses found here:
www.spotify.com/connect/third-party-licenses

The Bluetooth® word mark and logos are registered trademarks owned by Bluetooth SIG, Inc. and any use of such marks by Hama GmbH & Co KG is under license. Other trademarks and trade names are those of their respective owners.

All listed brands are trademarks of the corresponding companies. Errors and omissions excepted, and subject to technical changes. Our general terms of delivery and payment are applied.