

We are so happy  
you have chosen a Hama product.

***Enjoy using it!***

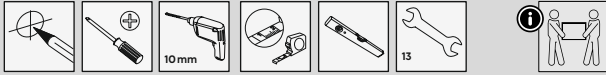
***hama***



00  
118100

# Quick Installation Guide

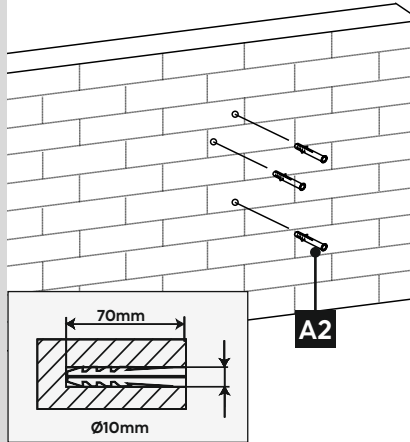
## Required tools



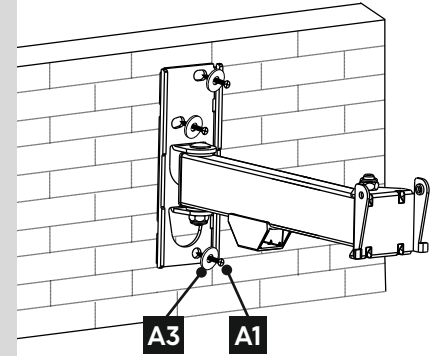
## Installation kit

<b>A1</b>		8x70 (x3)	<b>D1</b>		M8x12 (x4)
<b>A2</b>		Ø10x60 (x3)	<b>D2</b>		M8x20 (x4)
<b>A3</b>		M8 (x3)	<b>D3</b>		M8x30 (x4)
<b>B1</b>		M6 (x4)	<b>E1</b>		M4x12 (x4)
<b>B2</b>		Ø8x10 (x4)	<b>E2</b>		M4x20 (x4)
<b>B3</b>		Ø8x20 (x4)	<b>E3</b>		M4x45 (x4)
<b>C1</b>		M6x12 (x4)	<b>F1</b>		M6x12 (x2)
<b>C2</b>		M6x20 (x4)	<b>F2</b>		M6 (x2)

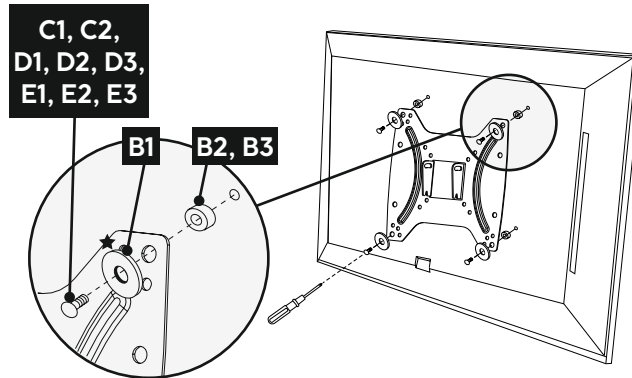
## 1a Drilling the holes



## 1b Wall mounting the bracket



## 2 Mounting on backside of the TV



### Flat TV backside

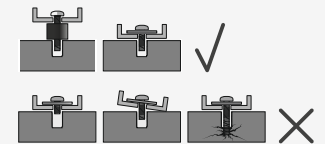
C1, D1, E1, E3 + B1

### Curved TV backside

C2, D2, E2, E3 + B1 + B2

D3, E3 + B1 + B3

★ You do not need a washer for the D-screws



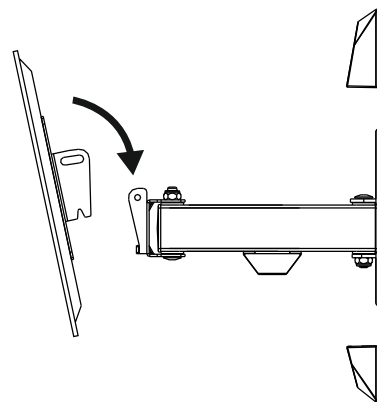
Do you need more help?



Scan QR or visit:  
[support.hama.com/00118100](http://support.hama.com/00118100)



## 3a Adjustment



## 3b Fixing

