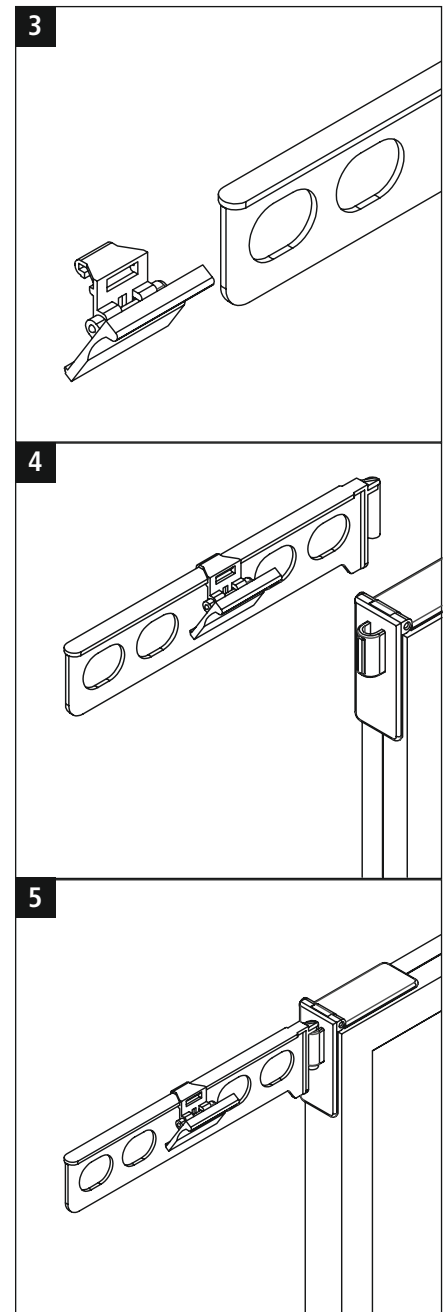
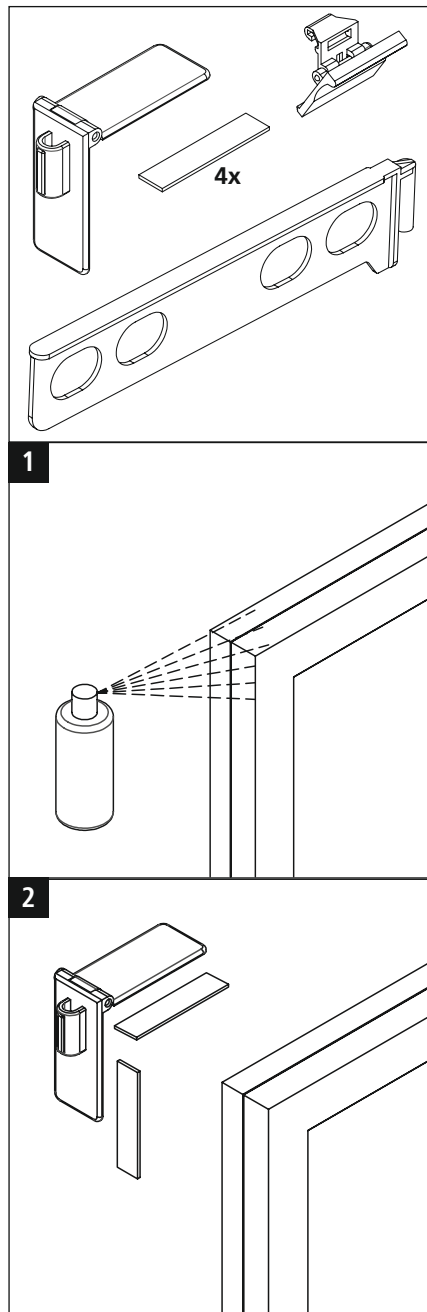
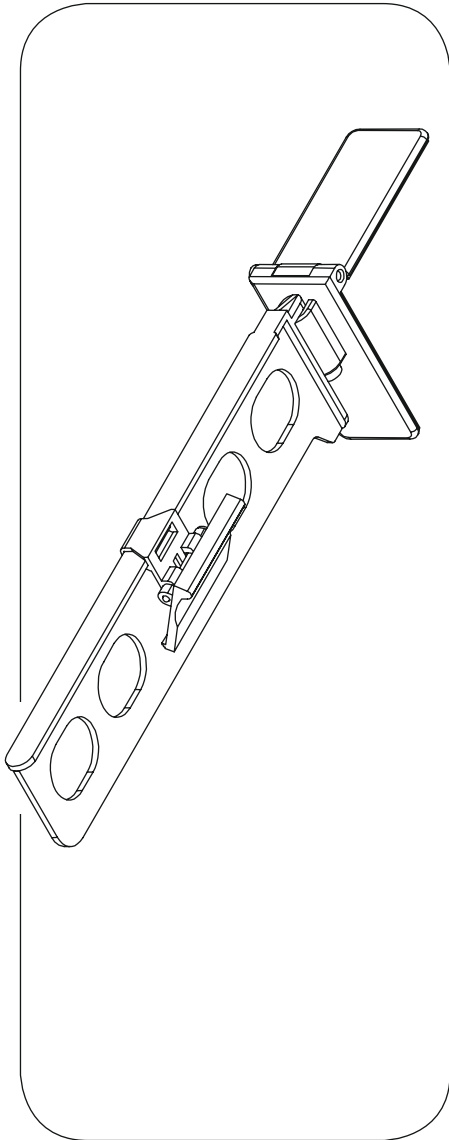


00  
048890

**hama**<sup>®</sup>  
THE SMART SOLUTION

Copy Holder

Konzepthalter



Hama GmbH & Co KG  
86652 Monheim / Germany  
[www.hama.com](http://www.hama.com)

All listed brands are trademarks of the corresponding companies.  
Errors and omissions excepted, and subject to technical changes.  
Our general terms of delivery and payment are applied.

00048890/08.17